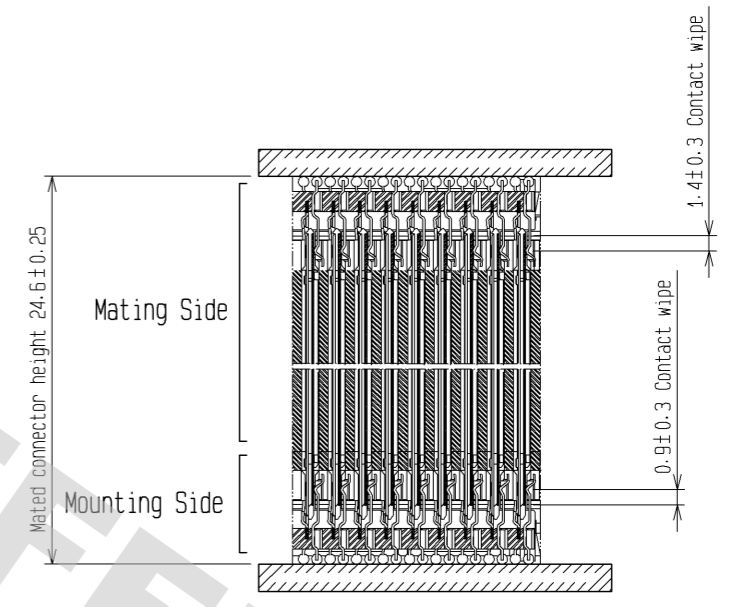
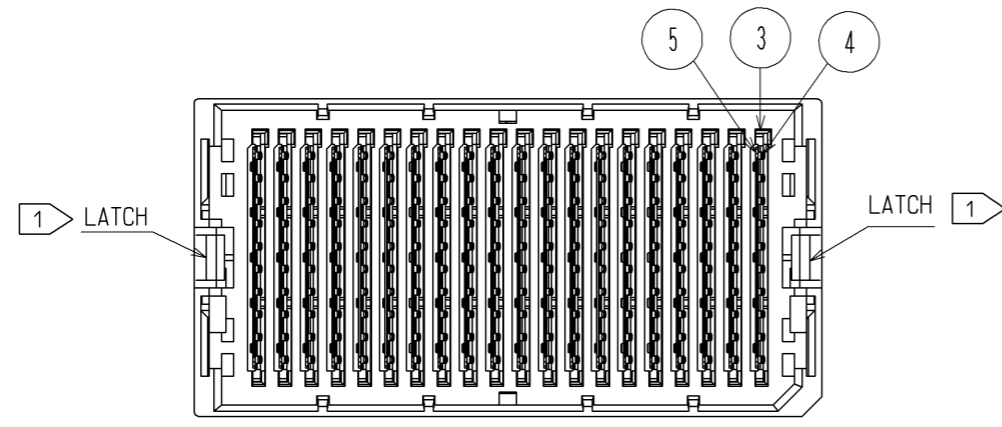
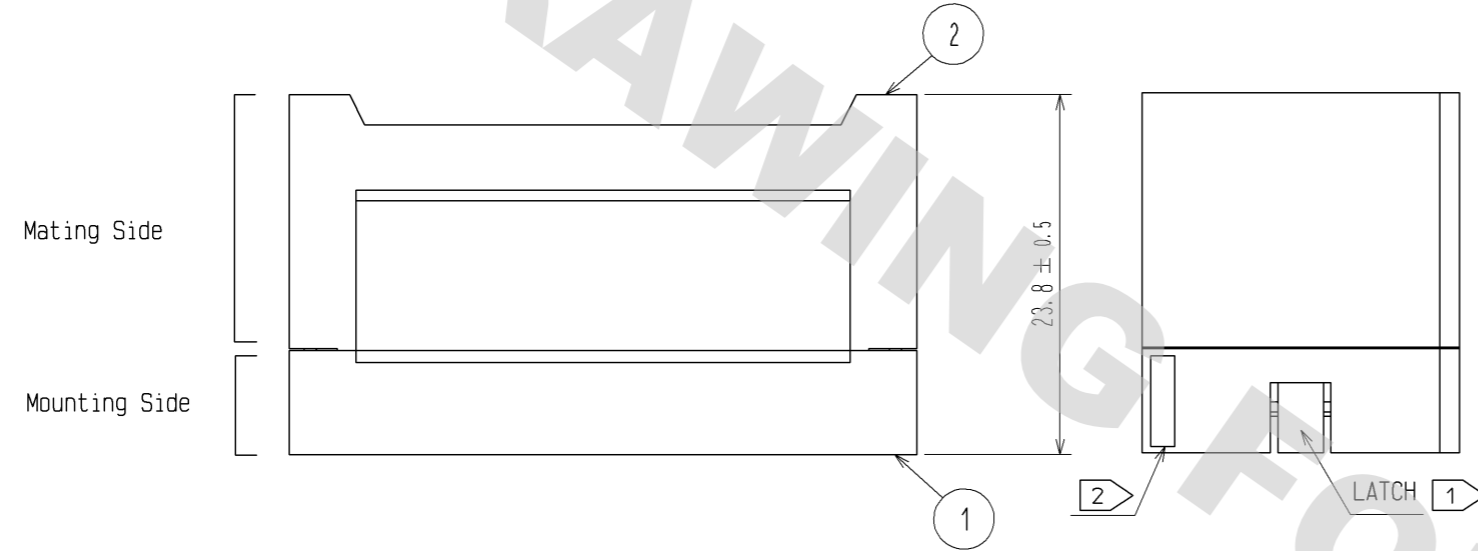


Fig. 1(FREE)



Mating Cross Section (Free)

- NOTE.
- ① Mounting side is mated with the receptacle:IT3M-200S-BGA(**) and fixed with the latch.
 - ② Lot No. shall be marked on the indicated position.
 - ③ The indicated mother board and daughter card shall be fastened to the additional reinforcements to prevent the stress on IT3*-200S-BGA(**) solder joints.
 - 4. Please refer to HIROSE document: ETAD-F0347 'IT3 design guideline'.
 - 5. This product consists of 200 signal lines and 180 ground lines.
 - 6. 40pcs of this products are packed in a soft tray.
 - 7. Standard package of 80pcs are packaged in a carton box.

NO.	MATERIAL	FINISH	REMARKS	NO.	MATERIAL	FINISH	REMARKS
3	LCP	BLACK	UL94V-0	5	Copper Alloy	CONTACT AREA-NICKEL(1.5µm)+GOLD(0.75µm)	
2	PBT	GRAY	UL94V-0	4	Copper Alloy	CONTACT AREA-NICKEL(1.5µm)+GOLD(0.75µm)	
1	PBT	BLACK	UL94V-0				

UNITS	SCALE	COUNT	DESCRIPTION OF REVISIONS	DESIGNED	CHECKED	DATE
mm	2 : 1	1	DIS-F-005955	NH. TAMAI	MK. EZAKI	11. 12. 27

APPROVED : TM. MATSUO	08. 06. 20	DRAWING NO.	EDC3-157240-01
CHECKED : TM. MATSUO	08. 06. 20	PART NO.	IT3-200P-25H(C03)
DESIGNED : MK. NAGATA	08. 06. 20	CODE NO.	CL636-0155-6-03
DRAWN : MK. NAGATA	08. 06. 20		

DRAWING FOR REFERENCE: This is subject to change without notice
08/11/2012

X-ON Electronics

Largest Supplier of Electrical and Electronic Components

Click to view similar products for [Board to Board & Mezzanine Connectors](#) category:

Click to view products by [Hirose](#) manufacturer:

Other Similar products are found below :

[589158040000018](#) [MDF7C-18P-2.54DSA\(55\)](#) [FCN-230C068-11](#) [FCN-268F012-G/BD](#) [FCN-268F036-G/BD](#) [FCN-268M012-G/0D](#) [FCN-268M024-G/1D](#) [FCN-723J004/1](#) [MIS-048-01-F-D-DP-K](#) [832-10-034-10-001000](#) [FX4C-80S-1.27DSA](#) [FCN-214Q030-G/0](#) [FCN-234P048-G/0](#) [FCN-235D050-G/C](#) [210-93-314-41-105000](#) [2-22603-0](#) [MDF7-40DP-2.54DSA\(55\)](#) [AXG720047](#) [MIT-114-03-F-D-K](#) [55323-1519](#) [DF33-2P-3.3DSA\(24\)](#) [YFT-20-05-H-03-SB-K](#) [503308-3040](#) [026-6203-PDB](#) [027-6203-PDB](#) [069159702701000](#) [10123981-102LF](#) [101A10019X](#) [55650-0588-C](#) [68682-310LF](#) [68684-306](#) [75140-7012](#) [87471-650](#) [YTW-30-07-H-Q-410-140](#) [FCN-268F024-G0D](#) [10124054-515LF](#) [68685-603](#) [8-1616154-3](#) [MIS-019-01-F-D](#) [FCN-268M024-G/3D](#) [FCN-268M036-G/BD](#) [20021832-06016C1LF](#) [KX15-20KLDL-E1000E](#) [AXE810124](#) [FCN-214J100-G/0](#) [FCN-230C068-E/S](#) [AXE812124](#) [AXE816124](#) [AXE720127](#) [354184](#)