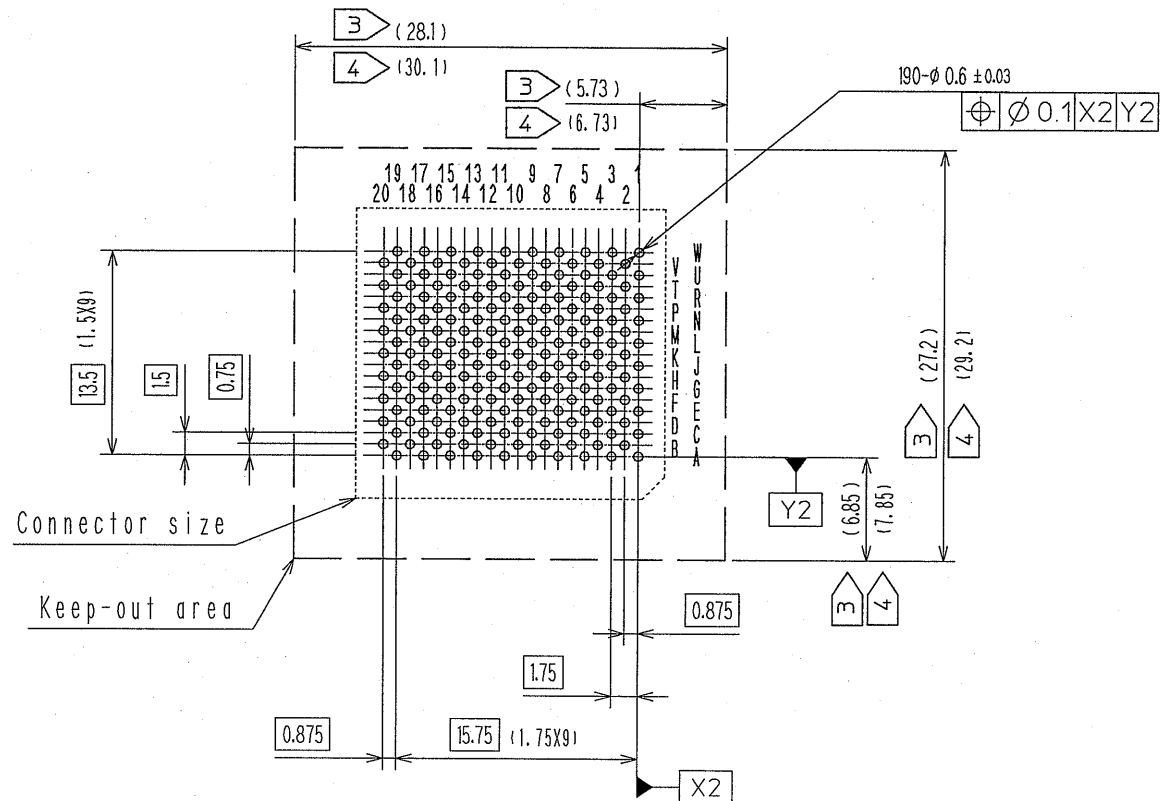
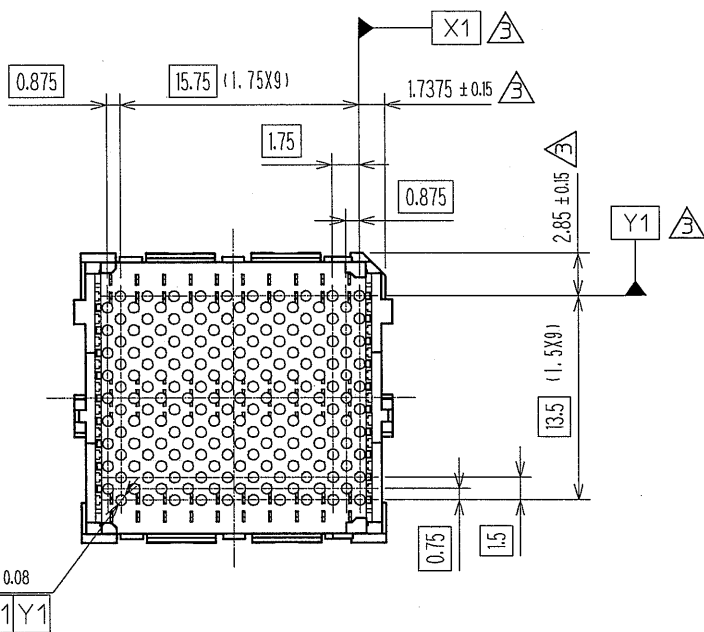
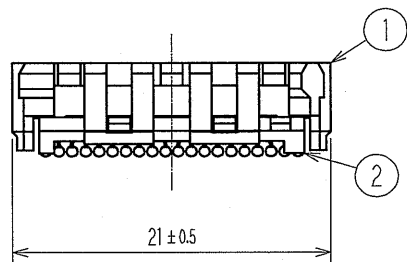
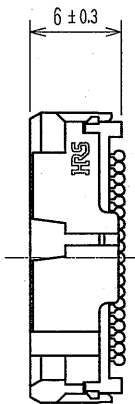
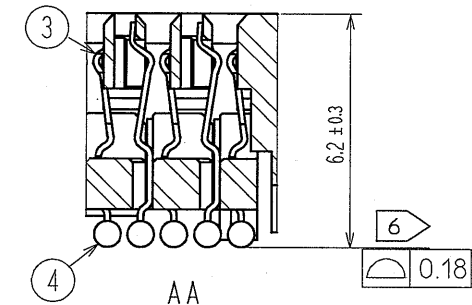


key configuration revised  $\triangle$



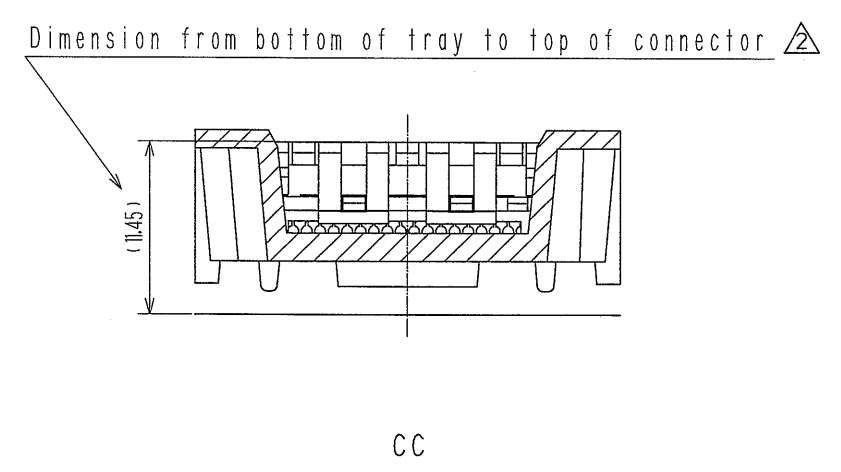
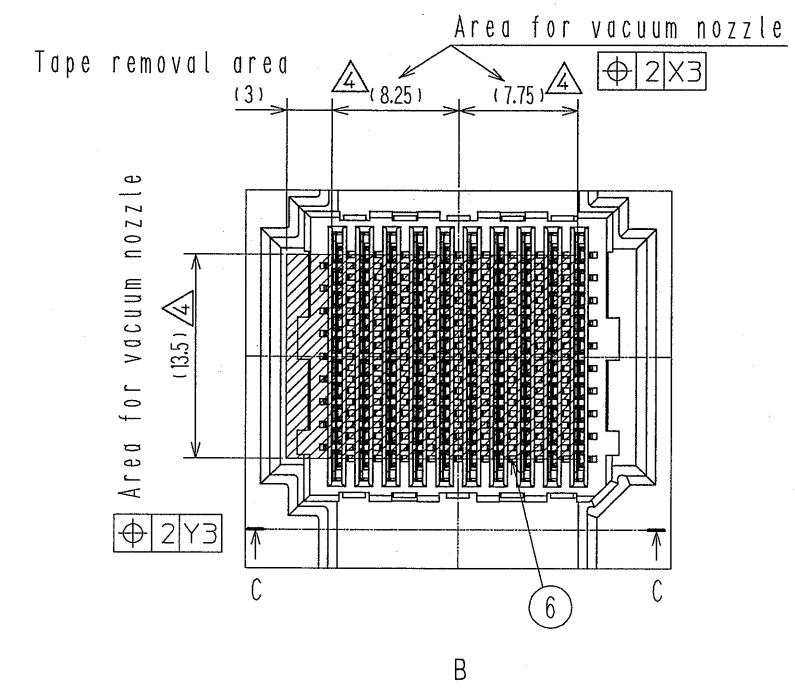
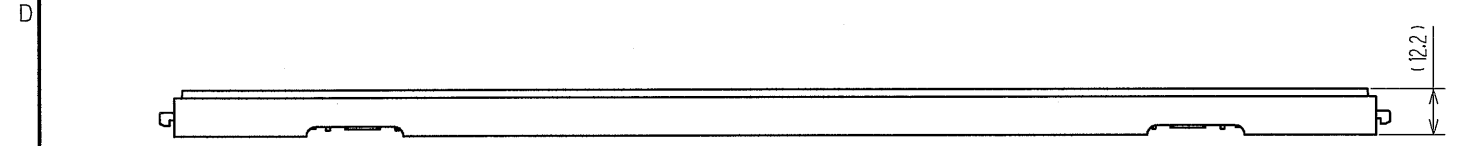
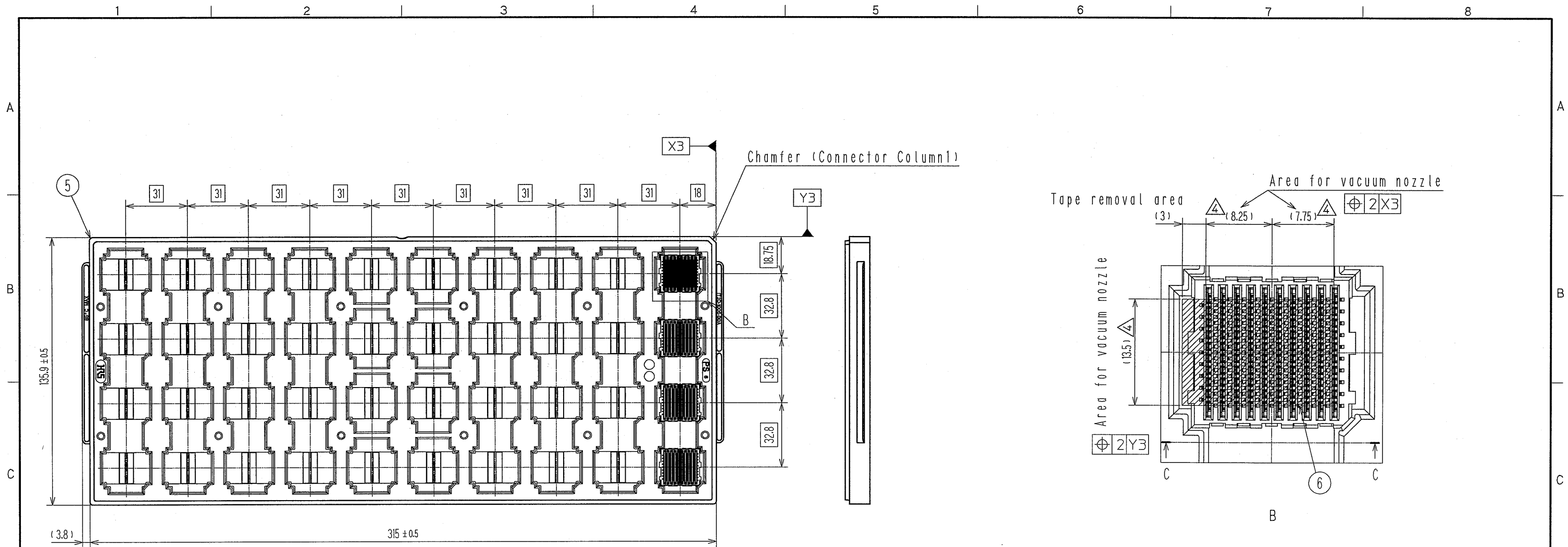
Recommended PCB Footprint  
(Connector Side)



NOTE

- 1 IT3D receptacle to be mated and unmated with IT3-100P-\*\*HC\*\*).
- $\triangle$  2 Lot no. is marked on top of the connector.
- 3 Minimum clearance for all devices.
- 4 Minimum clearance for sensitive devices.
- 5 More information of this product is available in HIROSE document : ETAD-F0347 "IT3 Design Guideline".
- 6 Maximum coplanarity of the ball field is 0.18 mm.
- $\triangle$  7 Standard package of 120pcs are packaged in a carton box.
- $\triangle$  8 This product is categorized in the MSL2A of IPC/JEDEC J-STD-020B. It is recommended to use within four weeks, defined by JEDEC, in the office environment after unpacked.
- $\triangle$  9 This product is a solder ball locations and co planarity sensitive BGA connector. It is recommended to handle this product with the automated machine. Solder ball locations and co planarity might be damaged accidentally when it is manually handled by assembly workers.

3	Copper alloy	Contact area : Nickel(1.5µm) + Gold(0.76µm) Other area : Nickel(1.5µm)	6	NORMEX	TAPE , WHITE			
2	LCP	BLACK , UL94V-0	5	HIPS	TRAY , BLACK			
1	LCP	BLACK , UL94V-0	4	TIN	Sn(96.5)-Ag(3)-Cu(0.5)			
NO.	MATERIAL	FINISH, REMARKS	NO.	MATERIAL	FINISH, REMARKS			
UNITS	$\odot$	SCALE	REV	COUNT	DESCRIPTION OF REVISIONS	DESIGNED	CHECKED	DATE
mm	$\odot$	2:1	$\triangle$	3	DIS-F-004000	T. Saito	M. Ezaki	15. July. 09
APPROVED : T. Matsuo			02/13/2008		DRAWING NO.		EDC3-157285-03	
CHECKED : T. Matsuo			02/13/2008		PART NO.		IT3D-100S-BGA(37)	
DESIGNED : T. Takada			02/13/2008		CODE NO.		CL636-0013-1-37	
DRAWN : T. Takada			02/13/2008				$\triangle$ 1/2	



<b>HRS</b>	DRAWING NO.	EDC3-157285-03
	PART NO.	IT3D-100S-BGA(37)
	CODE NO.	CL636-0013-1-37
		2

## X-ON Electronics

Largest Supplier of Electrical and Electronic Components

*Click to view similar products for [Board to Board & Mezzanine Connectors](#) category:*

*Click to view products by [Hirose](#) manufacturer:*

Other Similar products are found below :

[589158040000018](#) [MDF7C-18P-2.54DSA\(55\)](#) [FCN-230C068-11](#) [FCN-268F012-G/BD](#) [FCN-268F036-G/BD](#) [FCN-268M012-G/0D](#) [FCN-268M024-G/1D](#) [FCN-723J004/1](#) [MIS-048-01-F-D-DP-K](#) [832-10-034-10-001000](#) [FX4C-80S-1.27DSA](#) [FCN-214Q030-G/0](#) [FCN-234P048-G/0](#) [FCN-235D050-G/C](#) [210-93-314-41-105000](#) [2-22603-0](#) [MDF7-40DP-2.54DSA\(55\)](#) [AXG720047](#) [MIT-114-03-F-D-K](#) [55323-1519](#) [DF33-2P-3.3DSA\(24\)](#) [YFT-20-05-H-03-SB-K](#) [503308-3040](#) [026-6203-PDB](#) [027-6203-PDB](#) [069159702701000](#) [10123981-102LF](#) [101A10019X](#) [55650-0588-C](#) [68682-310LF](#) [68684-306](#) [75140-7012](#) [87471-650](#) [YTW-30-07-H-Q-410-140](#) [FCN-268F024-G0D](#) [10124054-515LF](#) [68685-603](#) [8-1616154-3](#) [MIS-019-01-F-D](#) [FCN-268M024-G/3D](#) [FCN-268M036-G/BD](#) [20021832-06016C1LF](#) [KX15-20KLDL-E1000E](#) [AXE810124](#) [FCN-214J100-G/0](#) [FCN-230C068-E/S](#) [AXE812124](#) [AXE816124](#) [AXE720127](#) [354184](#)