

Sep.1.2021 Copyright 2021 HIROSE ELECTRIC CO., LTD. All Rights Reserved.
In case of consideration for using Automotive equipment / device which demand high reliability, kindly contact our sales window correspondents.

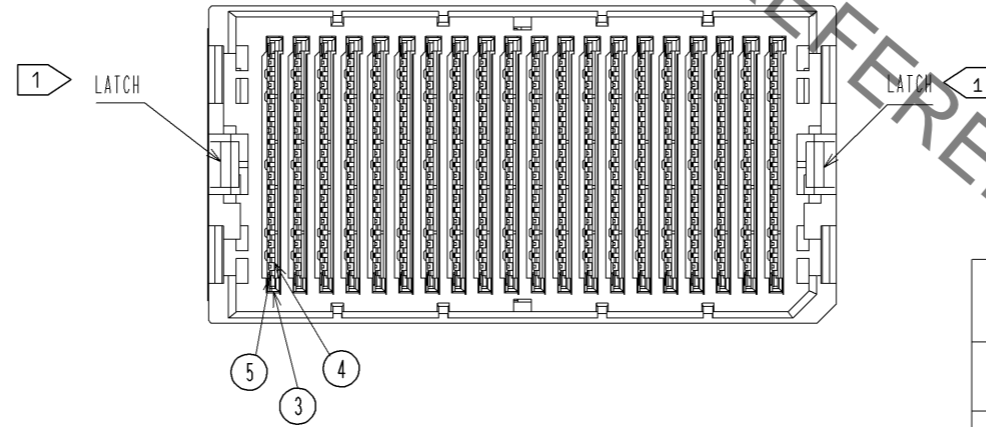
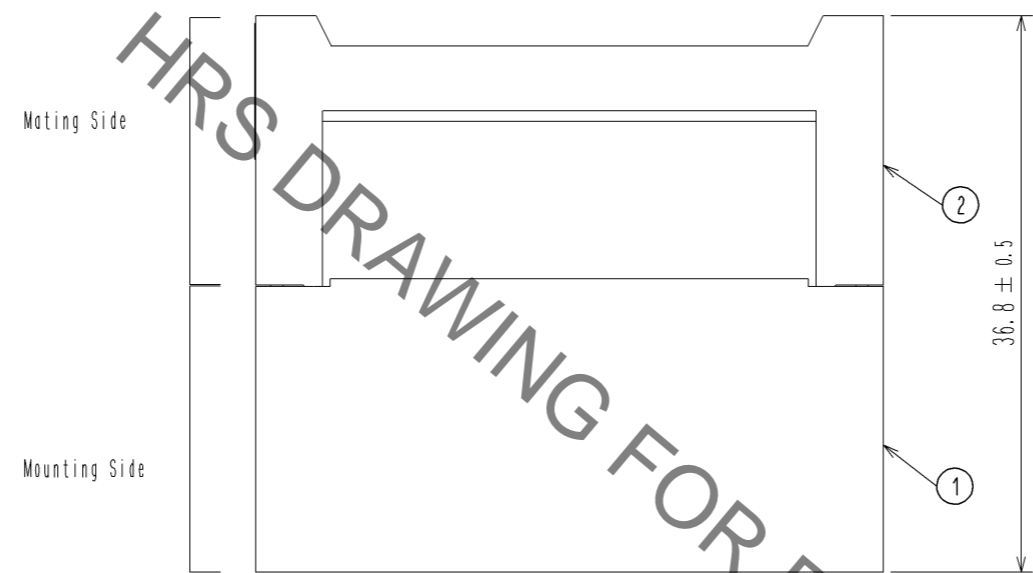
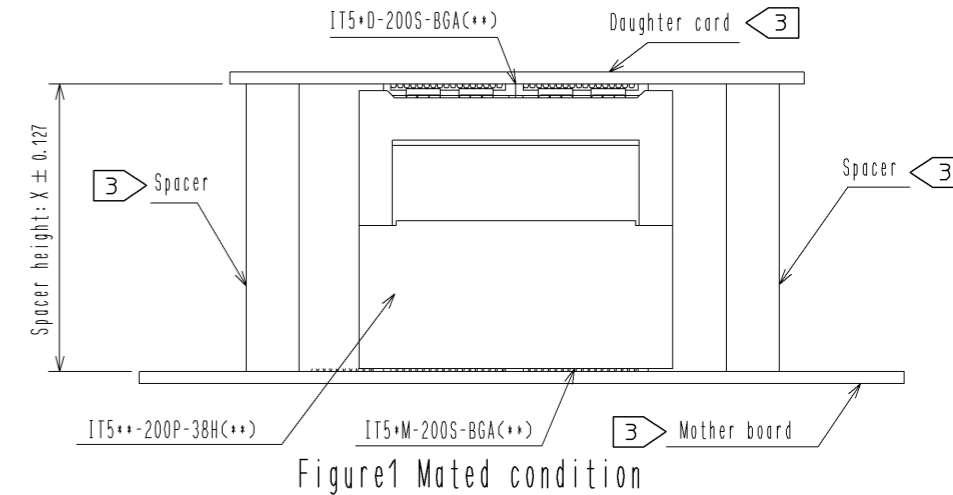
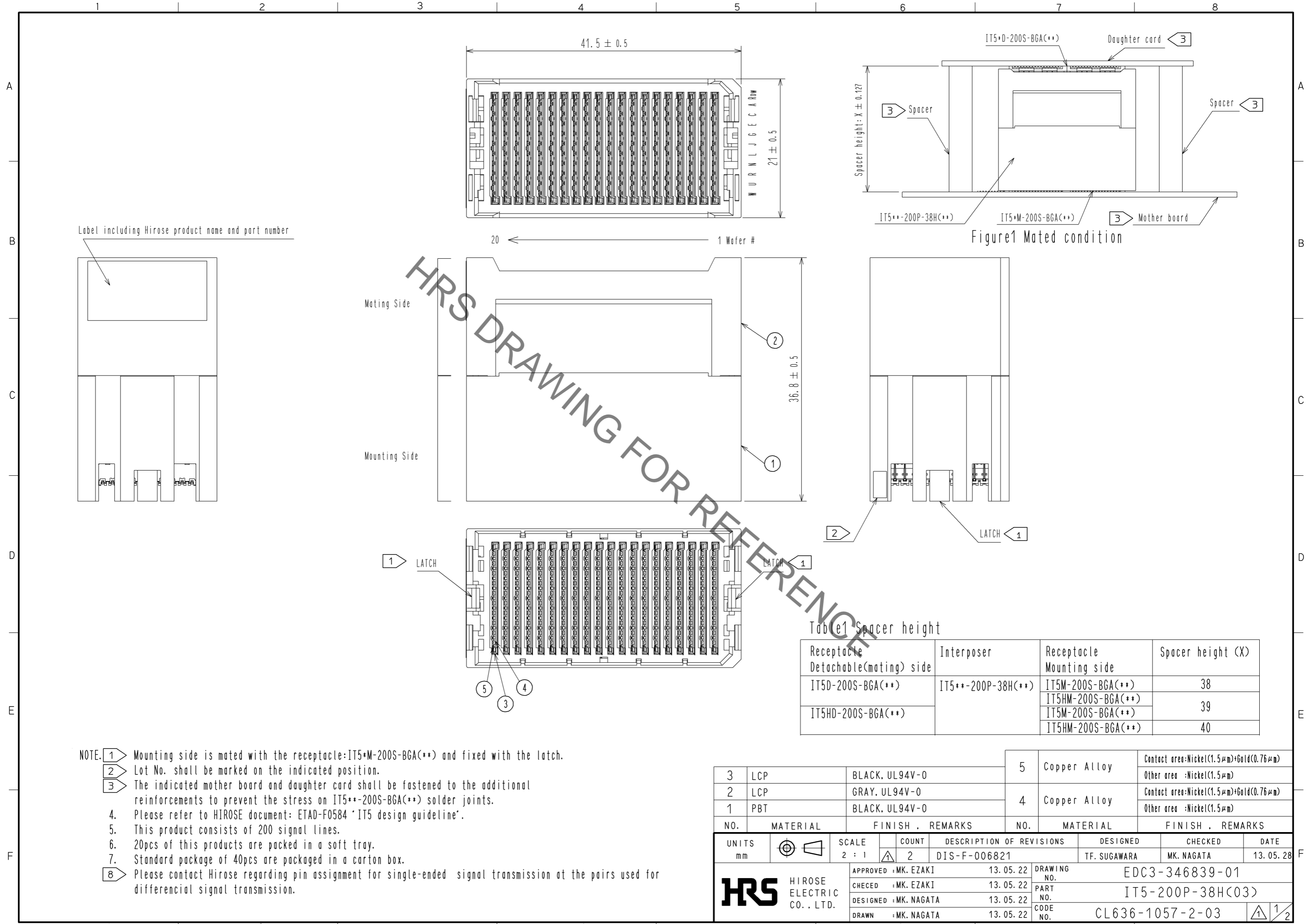


Table 1 Spacer height

Receptacle Detachable(mating) side	Interposer	Receptacle Mounting side	Spacer height (X)
IT5D-200S-BGA(**)	IT5** -200P-38H(**)	IT5M-200S-BGA(**)	38
		IT5HM-200S-BGA(**)	39
IT5HD-200S-BGA(**)		IT5M-200S-BGA(**)	
		IT5HM-200S-BGA(**)	

- NOTE.
- 1 Mounting side is mated with the receptacle:IT5*M-200S-BGA(**) and fixed with the latch.
 - 2 Lot No. shall be marked on the indicated position.
 - 3 The indicated mother board and daughter card shall be fastened to the additional reinforcements to prevent the stress on IT5** -200S-BGA(**) solder joints.
 - 4 Please refer to HIROSE document: ETAD-F0584 'IT5 design guideline'.
 - 5 This product consists of 200 signal lines.
 - 6 20pcs of this products are packed in a soft tray.
 - 7 Standard package of 40pcs are packaged in a carton box.
 - 8 Please contact Hirose regarding pin assignment for single-ended signal transmission at the pairs used for differential signal transmission.

NO.	MATERIAL	FINISH	REMARKS	NO.	MATERIAL	FINISH	REMARKS
3	LCP	BLACK	UL94V-0	5	Copper Alloy	Contact area:Nickel(1.5μm)+Gold(0.76μm)	
2	LCP	GRAY	UL94V-0	4	Copper Alloy	Other area :Nickel(1.5μm)	
1	PBT	BLACK	UL94V-0			Contact area:Nickel(1.5μm)+Gold(0.76μm)	
						Other area :Nickel(1.5μm)	

UNITS	SCALE	COUNT	DESCRIPTION OF REVISIONS	DESIGNED	CHECKED	DATE
mm	2 : 1	2	DIS-F-006821	TF. SUGAWARA	MK. NAGATA	13.05.28

APPROVED	DATE	DRAWING NO.
MK. EZAKI	13.05.22	EDC3-346839-01
CHECED	13.05.22	PART NO.
DESIGNED	13.05.22	IT5-200P-38H(03)
DRAWN	13.05.22	CODE NO.
		CL636-1057-2-03

X-ON Electronics

Largest Supplier of Electrical and Electronic Components

Click to view similar products for [Board to Board & Mezzanine Connectors](#) category:

Click to view products by [Hirose](#) manufacturer:

Other Similar products are found below :

[589158040000018](#) [MDF7C-18P-2.54DSA\(55\)](#) [FCN-230C068-11](#) [FCN-268F012-G/BD](#) [FCN-268F036-G/BD](#) [FCN-268M012-G/0D](#) [FCN-268M024-G/1D](#) [FCN-723J004/1](#) [MIS-048-01-F-D-DP-K](#) [832-10-034-10-001000](#) [FX4C-80S-1.27DSA](#) [FCN-214Q030-G/0](#) [FCN-234P048-G/0](#) [FCN-235D050-G/C](#) [210-93-314-41-105000](#) [2-22603-0](#) [MDF7-40DP-2.54DSA\(55\)](#) [AXG720047](#) [MIT-114-03-F-D-K](#) [55323-1519](#) [DF33-2P-3.3DSA\(24\)](#) [YFT-20-05-H-03-SB-K](#) [503308-3040](#) [026-6203-PDB](#) [027-6203-PDB](#) [069159702701000](#) [10123981-102LF](#) [101A10019X](#) [55650-0588-C](#) [68682-310LF](#) [68684-306](#) [75140-7012](#) [87471-650](#) [YTW-30-07-H-Q-410-140](#) [FCN-268F024-G0D](#) [10124054-515LF](#) [68685-603](#) [8-1616154-3](#) [MIS-019-01-F-D](#) [FCN-268M024-G/3D](#) [FCN-268M036-G/BD](#) [20021832-06016C1LF](#) [KX15-20KLDL-E1000E](#) [AXE810124](#) [FCN-214J100-G/0](#) [FCN-230C068-E/S](#) [AXE812124](#) [AXE816124](#) [AXE720127](#) [354184](#)