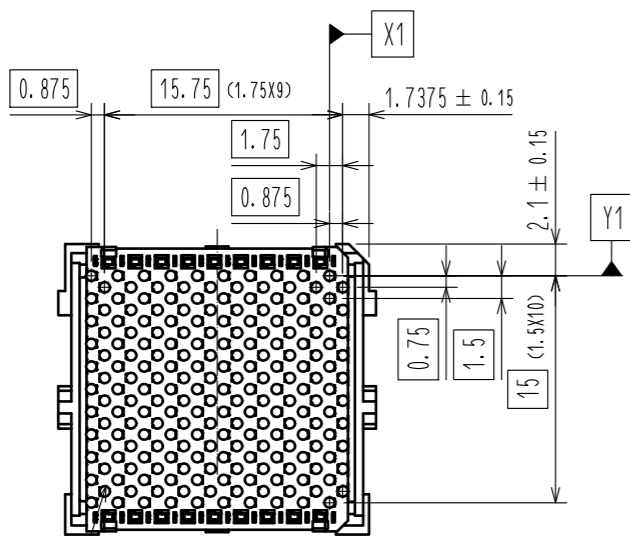
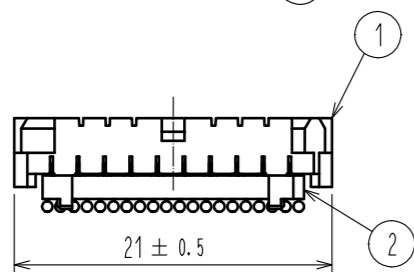
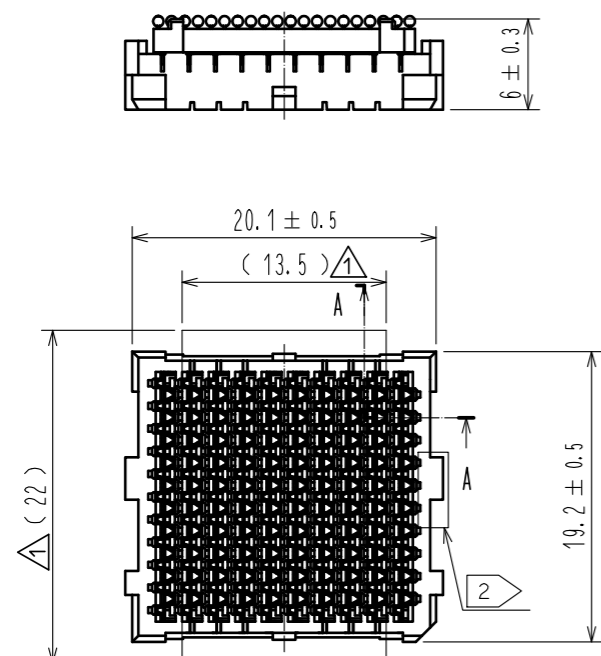
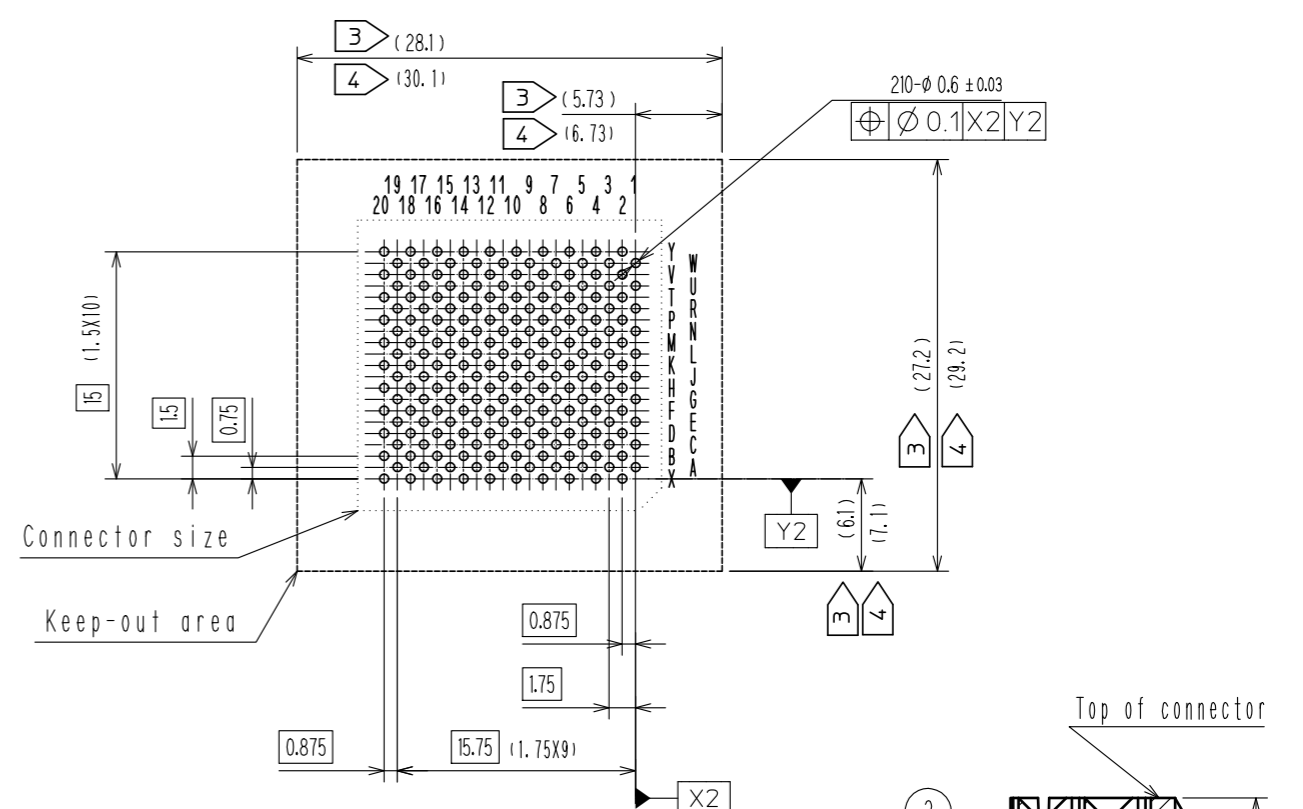
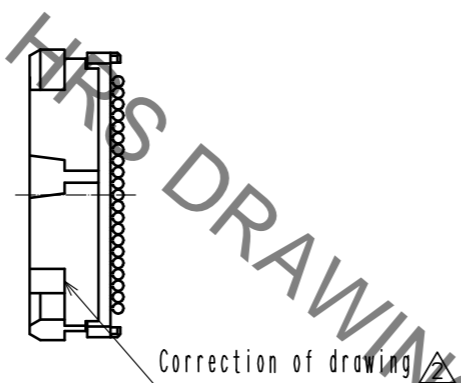


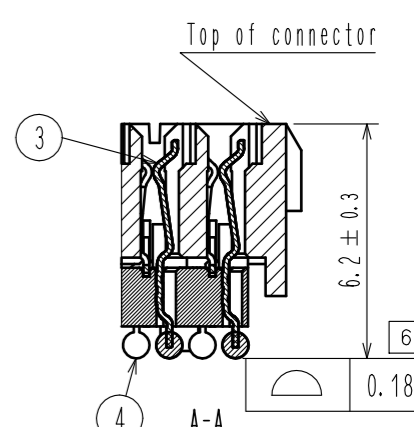
Sep.1.2021 Copyright 2021 HIROSE ELECTRIC CO., LTD. All Rights Reserved.  
In case of consideration for using Automotive equipment / device which demand high reliability, kindly contact our sales window correspondents.



210- $\phi$  0.7  $\pm$  0.08  
 $\oplus \phi 0.3 \times 1 Y1$



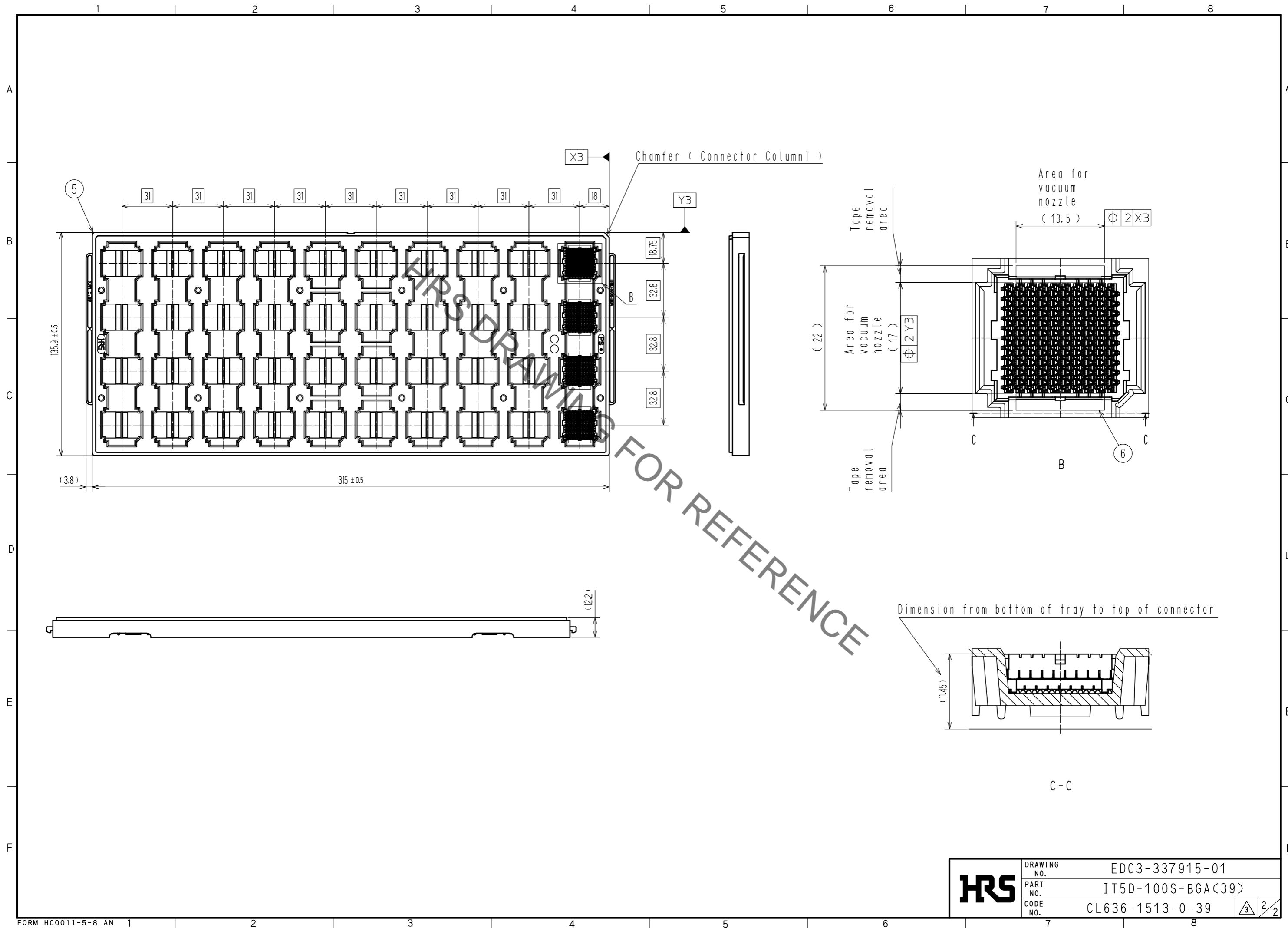
Recommended PCB Footprint  
(Connector Side)



- NOTE
- 1 IT5D receptacle to be mated and unmated with IT5\*\*-100P-\*\*H(\*\*).
  - 2 Lot no. is marked on top of the connector.
  - 3 Minimum clearance for all devices.
  - 4 Minimum clearance for sensitive devices.
  - 5 Please refer to HIROSE document : ETAD-F0584 "IT5 Design Guideline".
  - 6 Maximum coplanarity of the ball field is 0.18 mm.
  - 7 Standard package of 120pcs are packaged in a carton box.
  - 8 This product is recommended to be used within four weeks after unpacked due to the possibility of oxidation of BGA.
  - 9 This product is a solder ball locations and coplanarity sensitive BGA connector. It is recommended to handle this product with the automated machine. Solder ball locations and coplanarity might be damaged accidentally when it is manually handled by assembly workers.

3	Copper alloy	Contact area : Nickel(1.5 $\mu$ m) + Gold(0.76 $\mu$ m) Other area : Nickel(1.5 $\mu$ m)	6	NORMEX	TAPE . WHITE
2	LCP	BLACK, UL94V-0	5	HIPS	TRAY, GRAY
1	LCP	GRAY, UL94V-0	4	TIN	Sn(96.5)-Ag(3)-Cu(0.5)
NO.	MATERIAL	FINISH . REMARKS	NO.	MATERIAL	FINISH . REMARKS
UNITS mm		SCALE 2 : 1	COUNT 1	DESCRIPTION OF REVISIONS DIS-F-00004023	
DESIGNED AS. MATSUZAWA		CHECKED MK. EZAKI		DATE 20181211	
APPROVED : TM. MATSUO		20110708		DRAWING NO. EDC3-337915-01	
CHECED : TM. MATSUO		20110708		PART NO. IT5D-100S-BGA(39)	
DESIGNED : TS. KIKUCHI		20110707		CODE NO. CL636-1513-0-39	
DRAWN : JH. HUANG		20110707		1/2	

Sep.1.2021 Copyright 2021 HIROSE ELECTRIC CO., LTD. All Rights Reserved.  
 In case of consideration for using Automotive equipment / device which demand high reliability, kindly contact our sales window correspondents.



FOR REFERENCE

<b>HRS</b>	DRAWING NO.	EDC3-337915-01
	PART NO.	IT5D-100S-BGA(39)
	CODE NO.	CL636-1513-0-39
		<span style="border: 1px solid black; padding: 2px;">3</span> / <span style="border: 1px solid black; padding: 2px;">2</span>

## X-ON Electronics

Largest Supplier of Electrical and Electronic Components

*Click to view similar products for [Board to Board & Mezzanine Connectors](#) category:*

*Click to view products by [Hirose](#) manufacturer:*

Other Similar products are found below :

[589158040000018](#) [MDF7C-18P-2.54DSA\(55\)](#) [FCN-230C068-11](#) [FCN-268F012-G/BD](#) [FCN-268F036-G/BD](#) [FCN-268M012-G/0D](#) [FCN-268M024-G/1D](#) [FCN-723J004/1](#) [MIS-048-01-F-D-DP-K](#) [832-10-034-10-001000](#) [FX4C-80S-1.27DSA](#) [FCN-214Q030-G/0](#) [FCN-234P048-G/0](#) [FCN-235D050-G/C](#) [210-93-314-41-105000](#) [2-22603-0](#) [MDF7-40DP-2.54DSA\(55\)](#) [AXG720047](#) [MIT-114-03-F-D-K](#) [55323-1519](#) [DF33-2P-3.3DSA\(24\)](#) [YFT-20-05-H-03-SB-K](#) [503308-3040](#) [026-6203-PDB](#) [027-6203-PDB](#) [069159702701000](#) [10123981-102LF](#) [101A10019X](#) [55650-0588-C](#) [68682-310LF](#) [68684-306](#) [75140-7012](#) [87471-650](#) [YTW-30-07-H-Q-410-140](#) [FCN-268F024-G0D](#) [10124054-515LF](#) [68685-603](#) [8-1616154-3](#) [MIS-019-01-F-D](#) [FCN-268M024-G/3D](#) [FCN-268M036-G/BD](#) [20021832-06016C1LF](#) [KX15-20KLDL-E1000E](#) [AXE810124](#) [FCN-214J100-G/0](#) [FCN-230C068-E/S](#) [AXE812124](#) [AXE816124](#) [AXE720127](#) [354184](#)