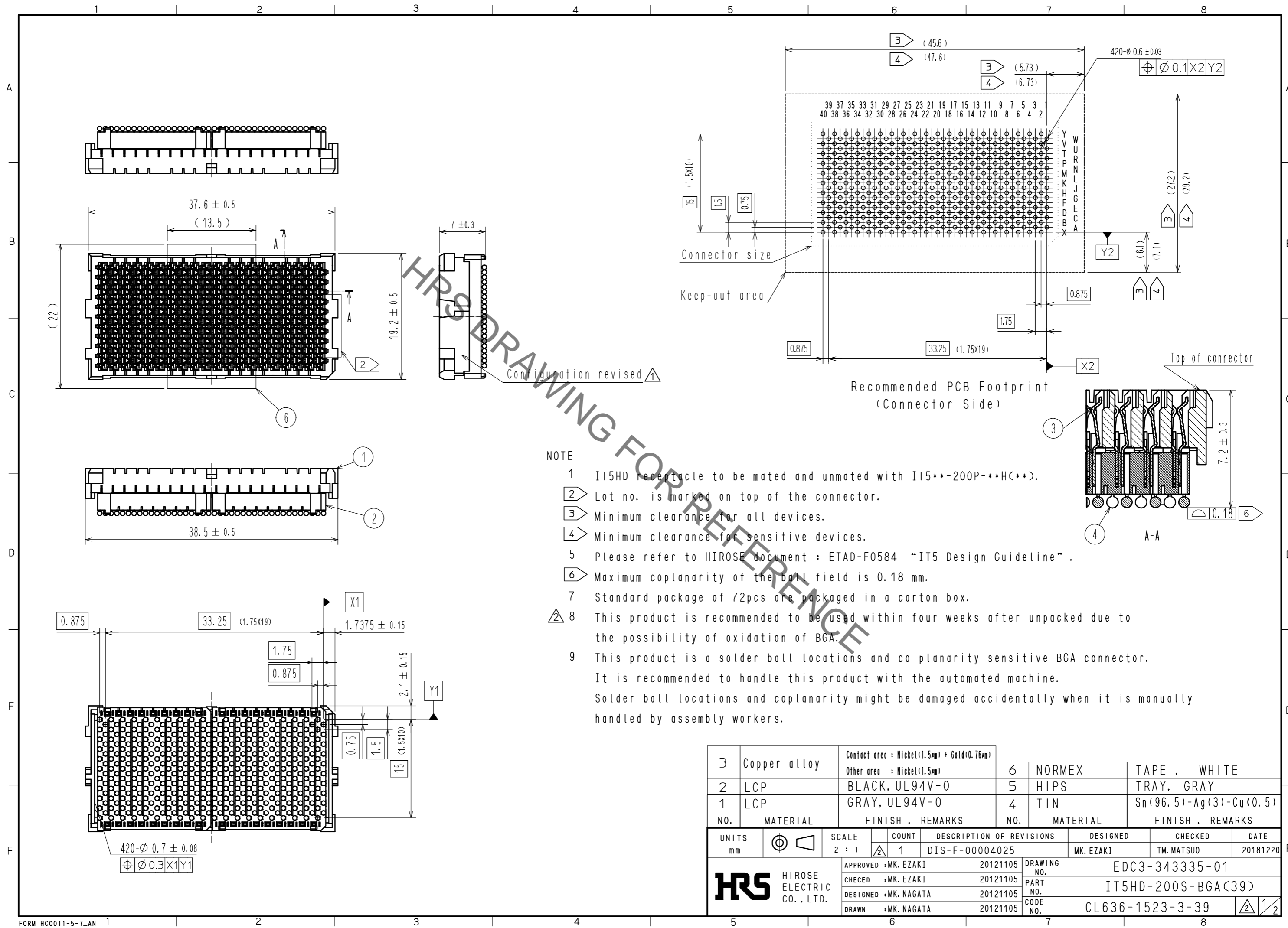


Aug.1.2021 Copyright 2021 HIROSE ELECTRIC CO., LTD. All Rights Reserved.  
 In case of consideration for using Automotive equipment / device which demand high reliability, kindly contact our sales window correspondents.

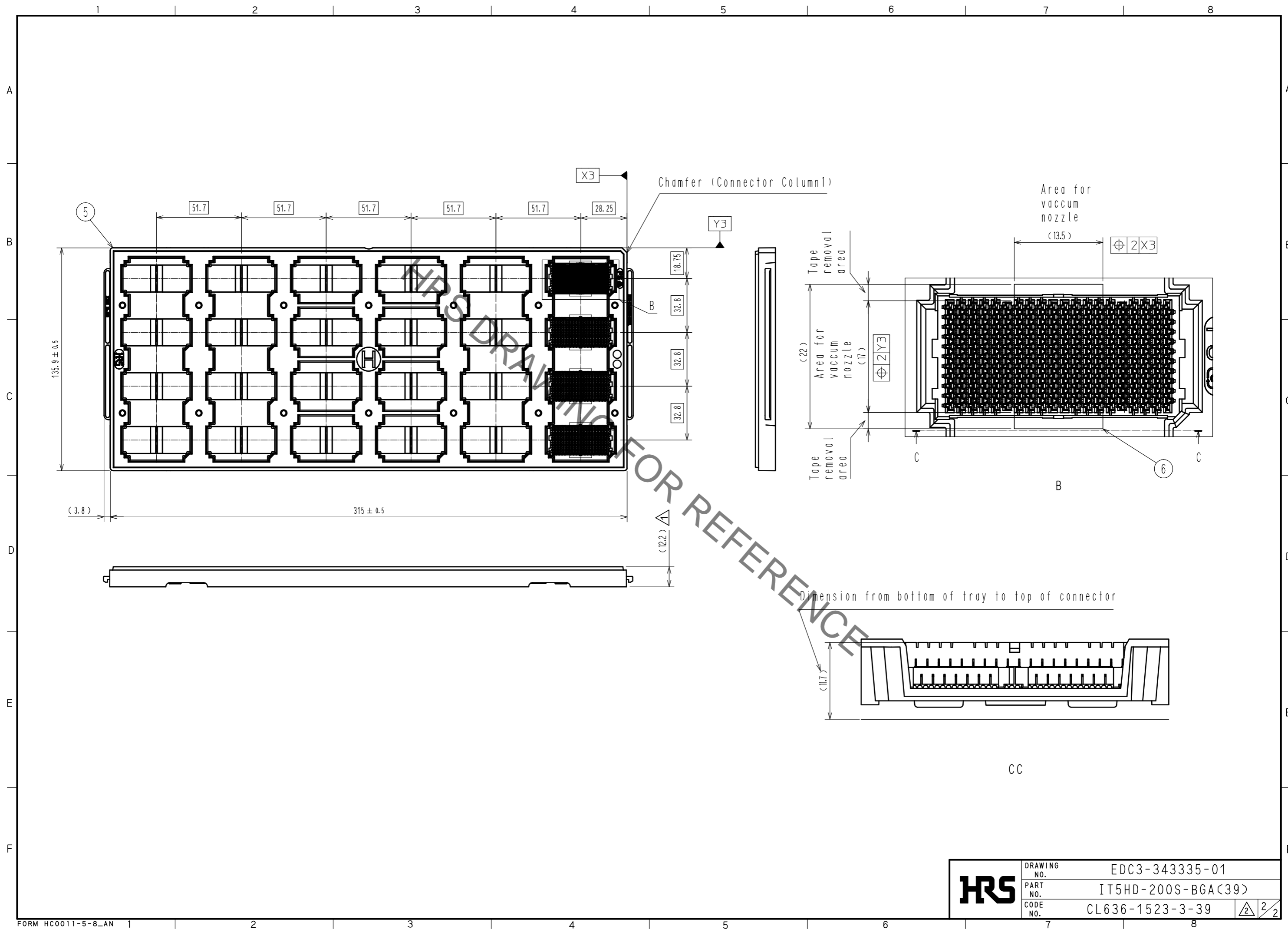


NOTE

- 1 IT5HD receptacle to be mated and unmated with IT5\*\*-200P-\*\*-H(\*\*).
- 2 Lot no. is marked on top of the connector.
- 3 Minimum clearance for all devices.
- 4 Minimum clearance for sensitive devices.
- 5 Please refer to HIROSE document : ETAD-F0584 "IT5 Design Guideline".
- 6 Maximum coplanarity of the ball field is 0.18 mm.
- 7 Standard package of 72pcs are packaged in a carton box.
- 8 This product is recommended to be used within four weeks after unpacked due to the possibility of oxidation of BGA.
- 9 This product is a solder ball locations and co planarity sensitive BGA connector. It is recommended to handle this product with the automated machine. Solder ball locations and coplanarity might be damaged accidentally when it is manually handled by assembly workers.

3	Copper alloy	Contact area : Nickel(1.5μm) + Gold(0.76μm)	6	NORMEX	TAPE . WHITE
2	LCP	Other area : Nickel(1.5μm)	5	HIPS	TRAY. GRAY
1	LCP	GRAY, UL94V-0	4	TIN	Sn(96.5)-Ag(3)-Cu(0.5)
NO.	MATERIAL	FINISH . REMARKS	NO.	MATERIAL	FINISH . REMARKS
UNITS	mm	SCALE	2 : 1	COUNT	1
DESCRIPTION OF REVISIONS		DESIGNED	CHECKED		
DIS-F-00004025		MK. EZAKI	TM. MATSUO		
DATE		20181220			
APPROVED : MK. EZAKI		20121105		DRAWING NO. EDC3-343335-01	
CHECKED : MK. EZAKI		20121105		PART NO. IT5HD-200S-BGA(39)	
DESIGNED : MK. NAGATA		20121105		CODE NO. CL636-1523-3-39	
DRAWN : MK. NAGATA		20121105		1/2	

Aug.1.2021 Copyright 2021 HIROSE ELECTRIC CO., LTD. All Rights Reserved.  
 In case of consideration for using Automotive equipment / device which demand high reliability, kindly contact our sales window correspondents.



FOR REFERENCE

<b>HRS</b>	DRAWING NO.	EDC3-343335-01	
	PART NO.	IT5HD-200S-BGA(39)	
	CODE NO.	CL636-1523-3-39	2/2

## X-ON Electronics

Largest Supplier of Electrical and Electronic Components

*Click to view similar products for [Board to Board & Mezzanine Connectors](#) category:*

*Click to view products by [Hirose](#) manufacturer:*

Other Similar products are found below :

[589158040000018](#) [MDF7C-18P-2.54DSA\(55\)](#) [FCN-230C068-11](#) [FCN-268F012-G/BD](#) [FCN-268F036-G/BD](#) [FCN-268M012-G/0D](#) [FCN-268M024-G/1D](#) [FCN-723J004/1](#) [MIS-048-01-F-D-DP-K](#) [832-10-034-10-001000](#) [FX4C-80S-1.27DSA](#) [FCN-214Q030-G/0](#) [FCN-234P048-G/0](#) [FCN-235D050-G/C](#) [210-93-314-41-105000](#) [2-22603-0](#) [MDF7-40DP-2.54DSA\(55\)](#) [AXG720047](#) [MIT-114-03-F-D-K](#) [55323-1519](#) [DF33-2P-3.3DSA\(24\)](#) [YFT-20-05-H-03-SB-K](#) [503308-3040](#) [026-6203-PDB](#) [027-6203-PDB](#) [069159702701000](#) [10123981-102LF](#) [101A10019X](#) [55650-0588-C](#) [68682-310LF](#) [68684-306](#) [75140-7012](#) [87471-650](#) [YTW-30-07-H-Q-410-140](#) [FCN-268F024-G0D](#) [10124054-515LF](#) [68685-603](#) [8-1616154-3](#) [MIS-019-01-F-D](#) [FCN-268M024-G/3D](#) [FCN-268M036-G/BD](#) [20021832-06016C1LF](#) [KX15-20KLDL-E1000E](#) [AXE810124](#) [FCN-214J100-G/0](#) [FCN-230C068-E/S](#) [AXE812124](#) [AXE816124](#) [AXE720127](#) [354184](#)