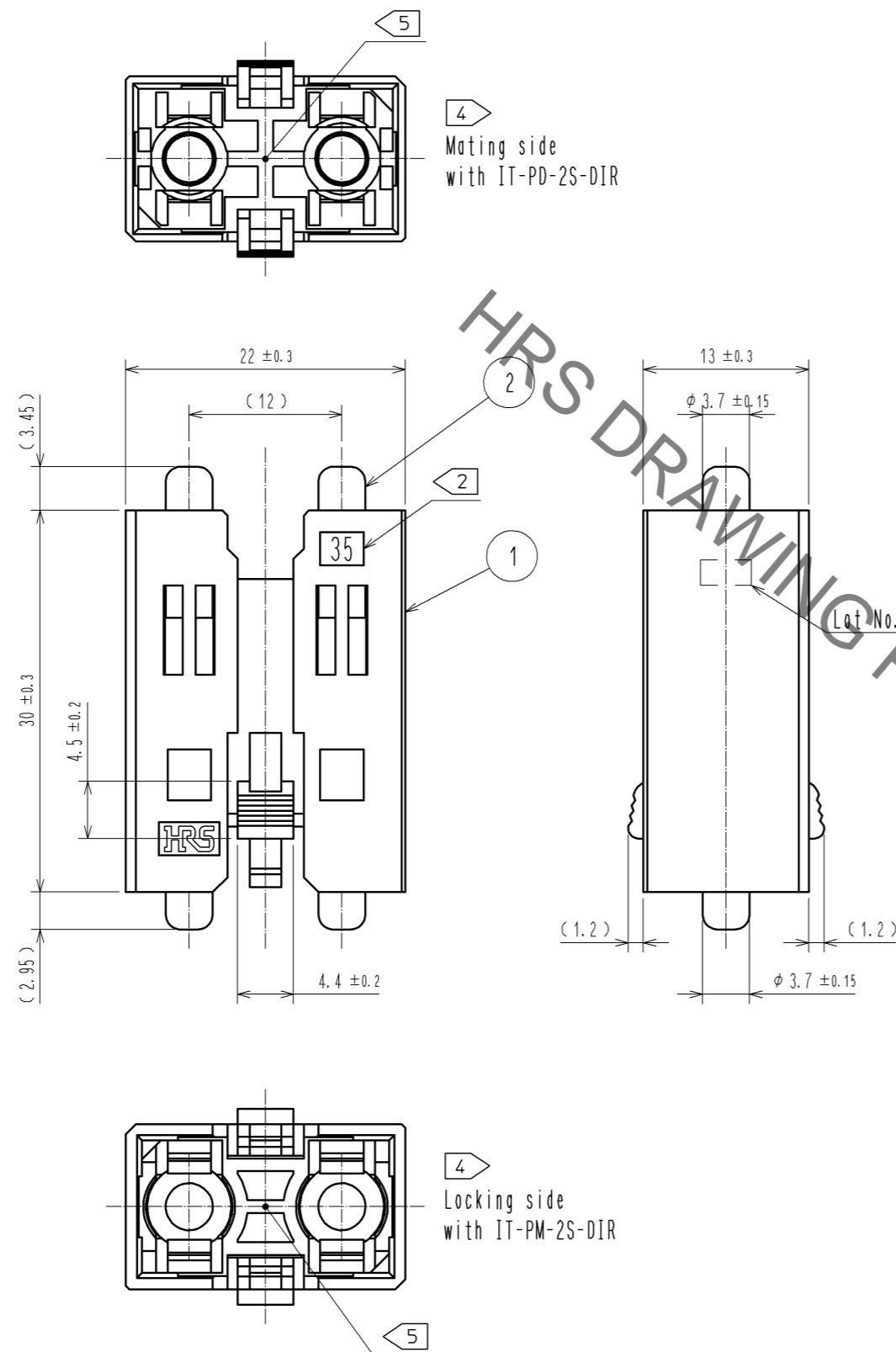
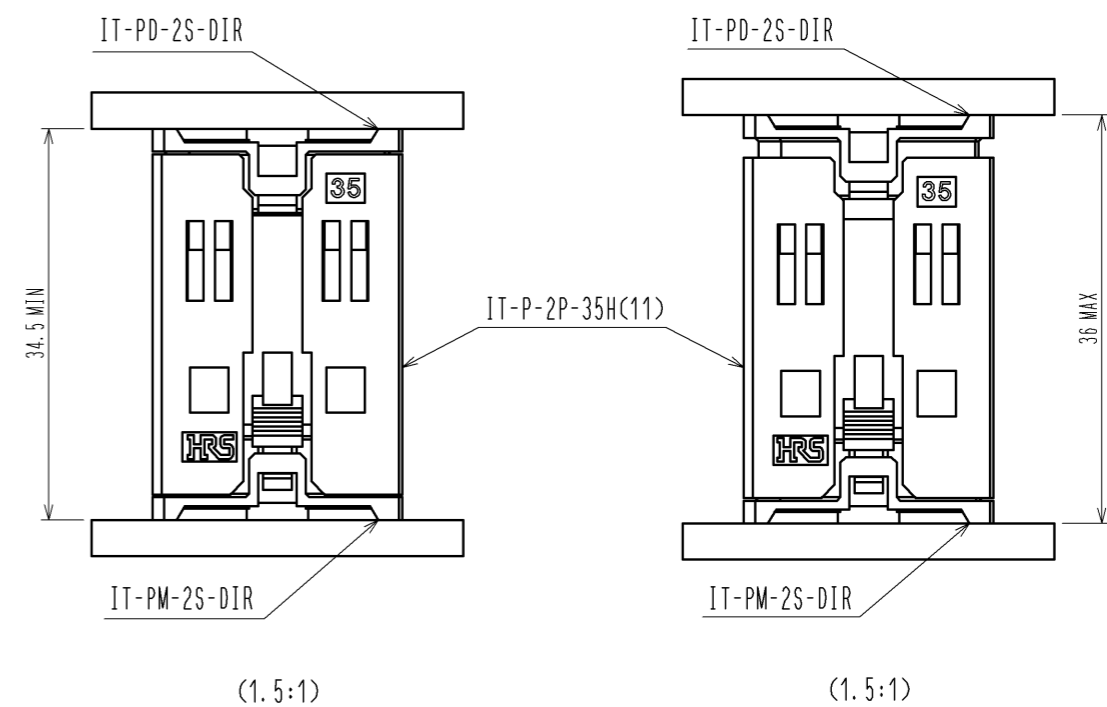


Sep.1.2021 Copyright 2021 HIROSE ELECTRIC CO., LTD. All Rights Reserved.
In case of consideration for using Automotive equipment / device which demand high reliability, kindly contact our sales window correspondents.



△ 10 PCB BOARD TO BOARD STACKING HEIGHT RANGE

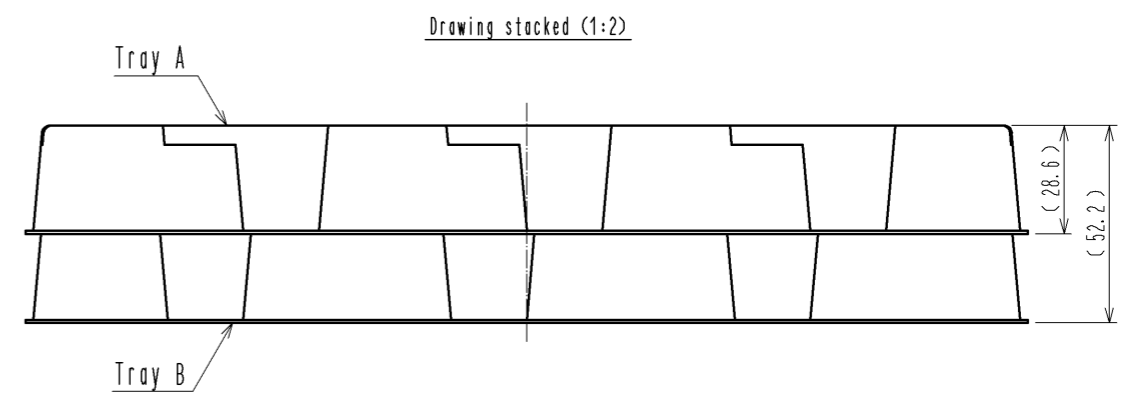
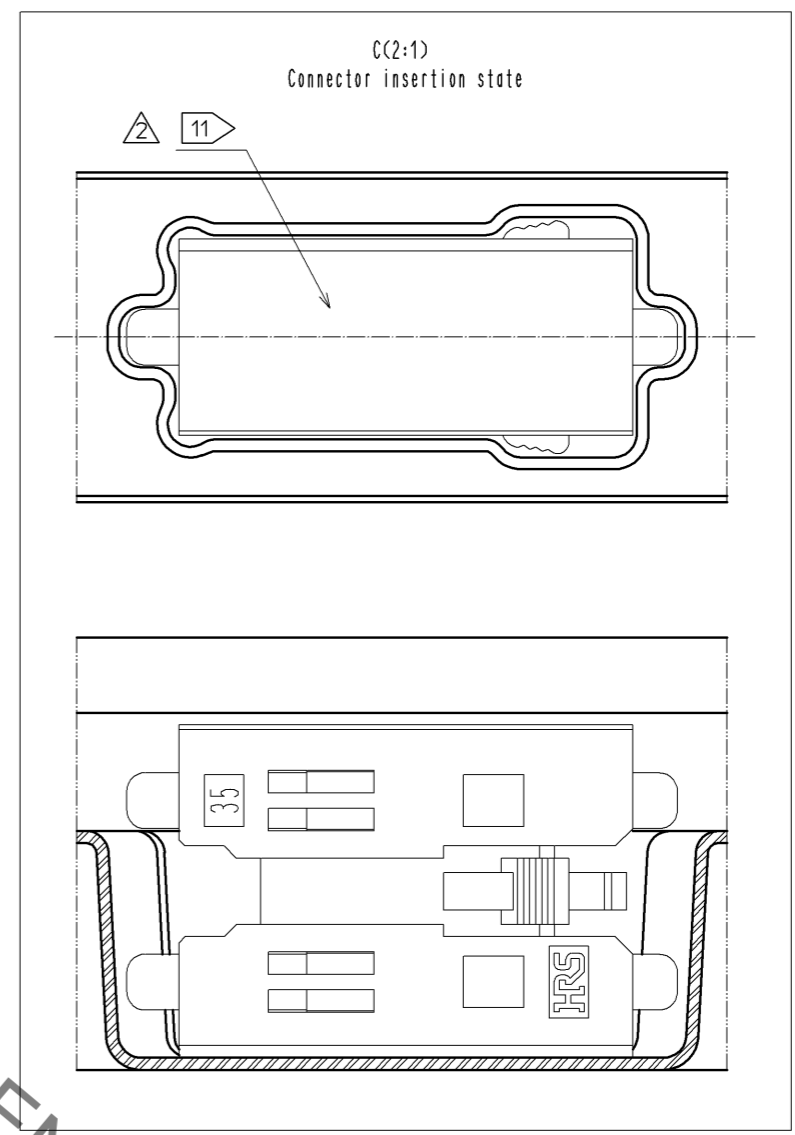
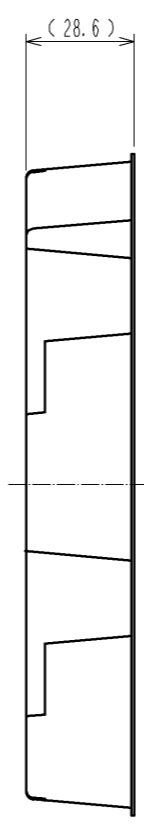
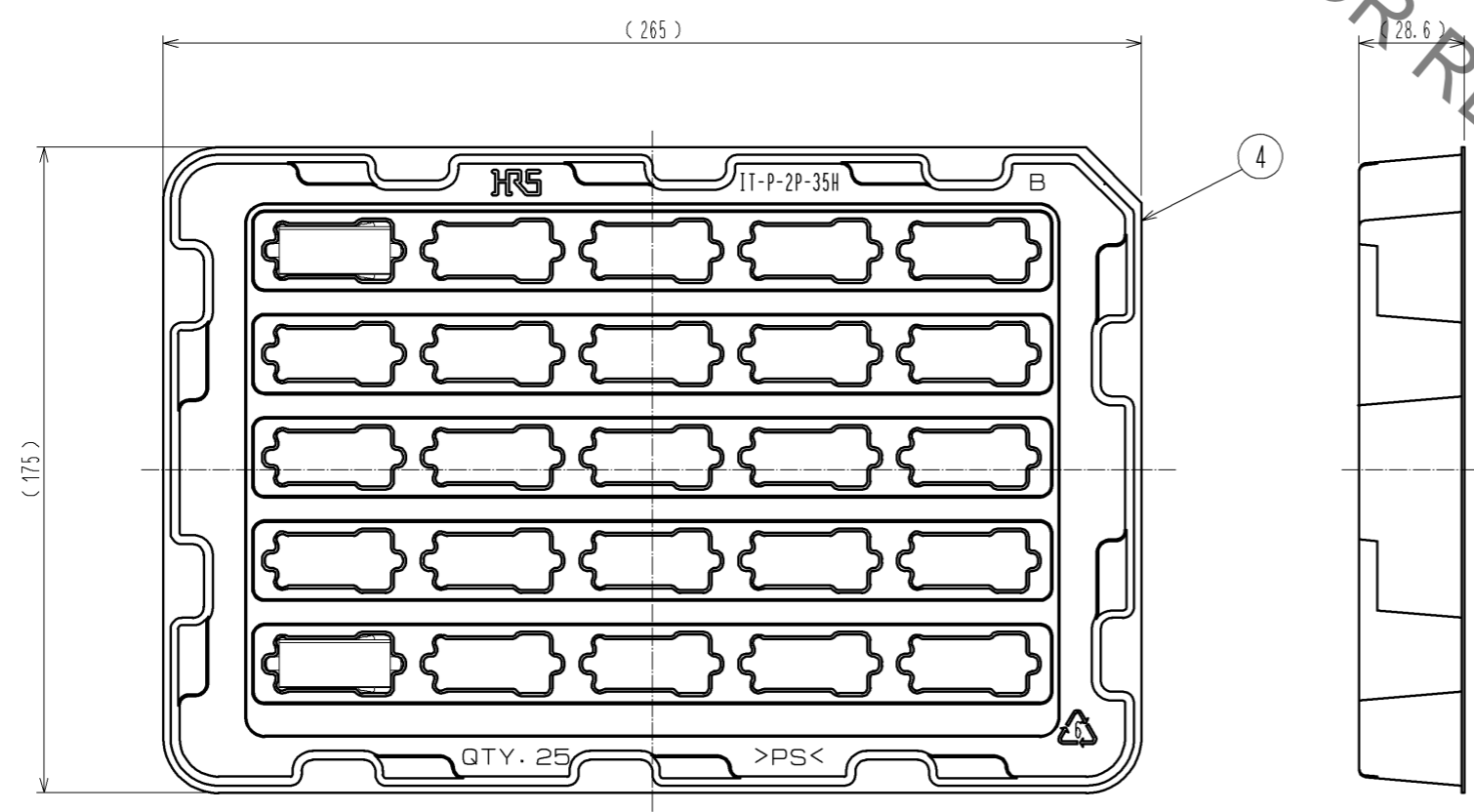
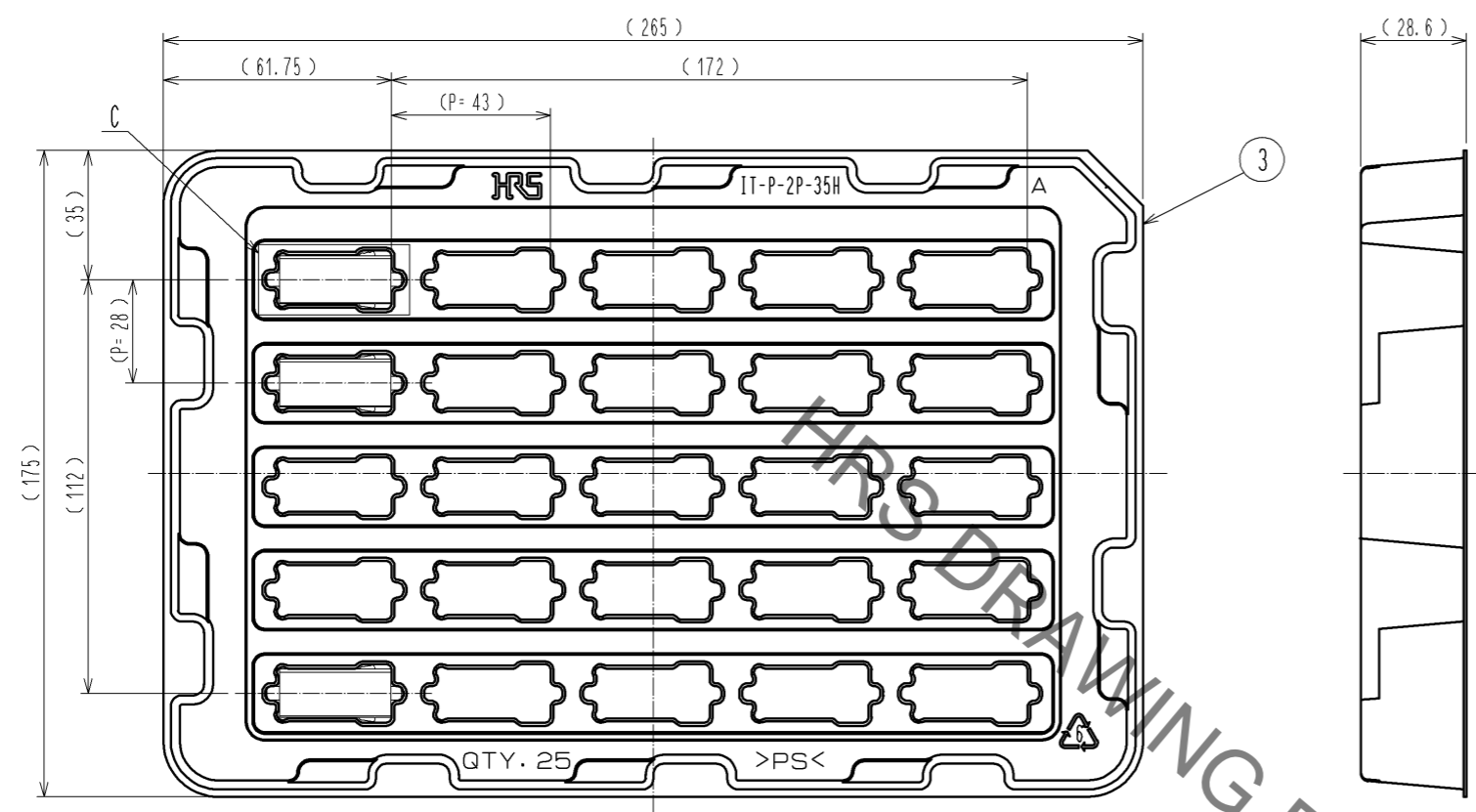


- Note:
- 1 The lot number is marked in this area.
 - 2 Stack height(Nominal)is shown.
 - 3 The dimensions in parentheses are for reference.
 - 4 Engageable receptacle is defined for each side of this product.
 - 5 Since this product is point symmetry, direction of mating does not have a rule.
 - 6 Manufacturing process could leave scratch and/or punch marks, but they have no effect on the product performance.
 - 7 Since silver plating is used for this product, if it is left in the atmosphere for a long time, plating may become drab.
 - 8 This product is RoHS compliant.
 - 9 This product is packaged in tray. (Max 25pcs/Tray)
 - △ 10 This part can accommodate the PCB board to board stacking height range of 35 +1/-0.5mm (34.5mm to 36mm).

2	Copper △	Over Plating : Silver 5.1μm	4	Polystyrene	(Tray B)
1	PBT	Black UL94V-0	3	Polystyrene	(Tray A)
NO.	MATERIAL	FINISH . REMARKS	NO.	MATERIAL	FINISH . REMARKS
UNITS mm	⊕	SCALE 2 : 1	COUNT 4	DESCRIPTION OF REVISIONS DIS-F-006732	DESIGNED TF. SUGAWARA
APPROVED : MK. EZAKI		12.11.14	DRAWING NO. EDC3-339735-01		
CHECKED : MK. EZAKI		12.11.14	PART NO. IT-P-2P-35H(11)		
DESIGNED : MK. NAGATA		12.11.14	CODE NO. CL636-0602-2-11		
DRAWN : MK. NAGATA		12.11.14	△ 10		

Sep.1.2021 Copyright 2021 HIROSE ELECTRIC CO., LTD. All Rights Reserved.
 In case of consideration for using Automotive equipment / device which demand high reliability, kindly contact our sales window correspondents.

Drawing For Packing (1:2)



Note. 11 The connector is set in the tray in the direction shown here. The side with lot number can be either top side bottom side.

HRS	DRAWING NO.	EDC3-339735-01	2 / 2
	PART NO.	IT-P-2P-35H(11)	
	CODE NO.	CL636-0602-2-11	

X-ON Electronics

Largest Supplier of Electrical and Electronic Components

Click to view similar products for [Power to the Board](#) category:

Click to view products by [Hirose](#) manufacturer:

Other Similar products are found below :

[6450171-4](#) [6450552-7](#) [6600323-8](#) [6643429-1](#) [6646040-2](#) [6651939-1](#) [6766604-1](#) [120959-1](#) [1393557-2](#) [1393532-2](#) [1393532-3](#) [1393532-4](#)
[1393557-1](#) [1600812-5](#) [1-6450861-2](#) [1744132-7](#) [1761122-1](#) [1766250-1](#) [1892109-1](#) [2-6450860-5](#) [2-6450870-0](#) [1-6450161-4](#) [1-6450850-6](#) [1-6450869-6](#) [1645526-2](#) [1-6600130-0](#) [2005243-2](#) [377-0020-11130](#) [TE34-12-16P-F0](#) [5-6450830-6](#) [5646956-4](#) [377-0080-11131A](#) [4-6450830-9](#)
[4-6600333-3](#) [10125416-4050LF](#) [6600320-3](#) [3-6450860-5](#) [1888123-2](#) [6450166-1](#) [6643978-1](#) [6766605-1](#) [701-15-02109](#) [N11444](#) [6651938-1](#)
[6450810-7](#) [46437-1112](#) [1-1589677-8](#) [5646956-5](#) [6450813-2](#) [6450129-4](#)