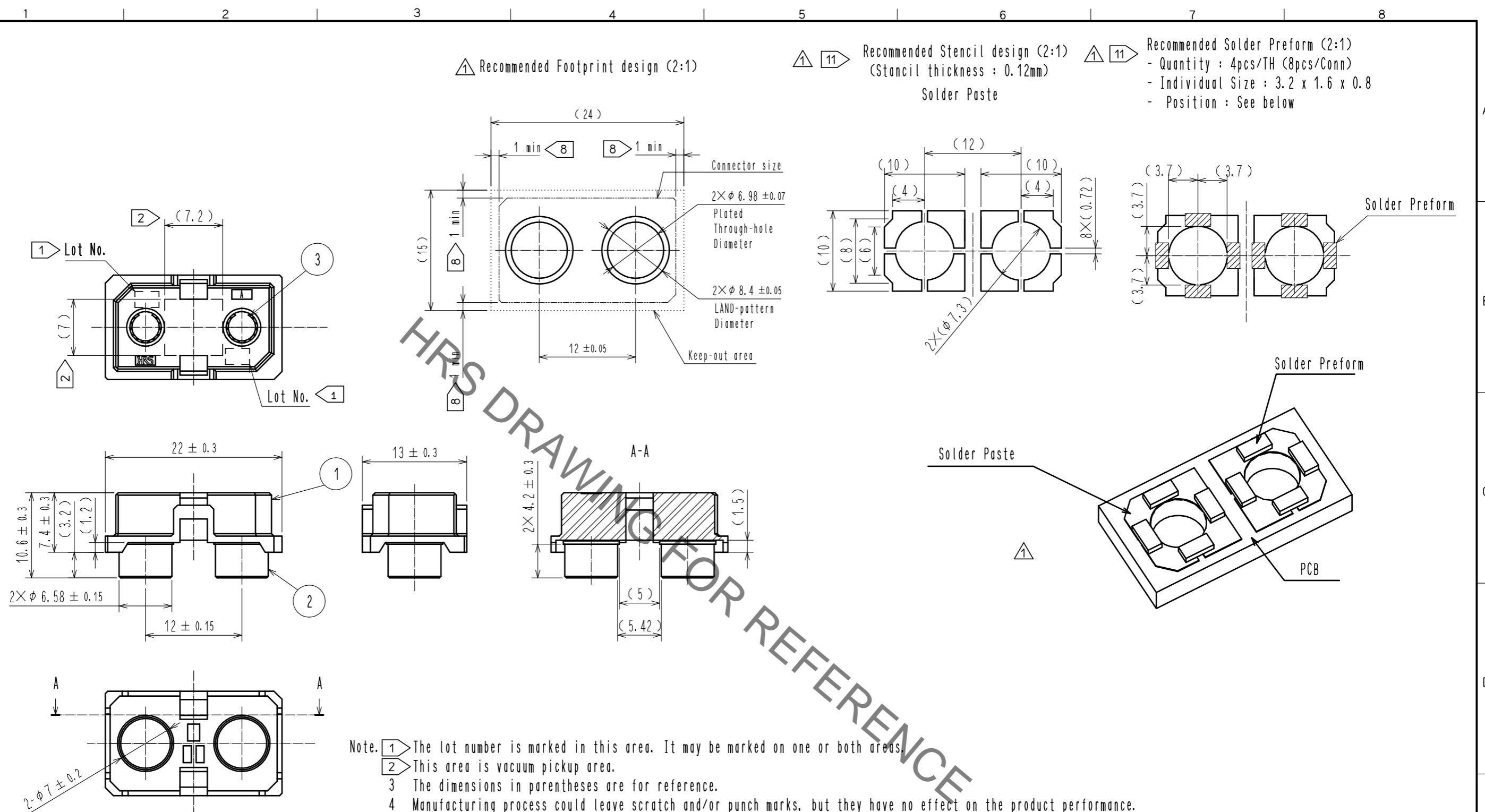


Aug.1.2021 Copyright 2021 HIROSE ELECTRIC CO., LTD. All Rights Reserved.  
In case of consideration for using Automotive equipment / device which demand high reliability, kindly contact our sales window correspondents.



- Note.
- 1 The lot number is marked in this area. It may be marked on one or both areas.
  - 2 This area is vacuum pickup area.
  - 3 The dimensions in parentheses are for reference.
  - 4 Manufacturing process could leave scratch and/or punch marks, but they have no effect on the product performance. And the dark spots might occasionally occur on molded plastic.
  - 5 Since silver plating is used for this product, if it is left in the atmosphere for a long time, plating may become drab.
  - 6 Since this product is point symmetry, direction of mounting does not have a rule.
  - 7 This product is RoHS compliant.
  - 8 Please do not mount other devices in this area.
  - 9 Packing for this product is embossed carrier tape packing. (250pcs/RL)
  - 10 The insertion direction of a connector may change.
  - 11 This connector can be soldered as part of the normal SMT process. Please use the solder preform design outlined above. For more detail on this process, please refer to the design guide (EATD-F0804-00).

| NO. | MATERIAL | FINISH .  | REMARKS | NO. | MATERIAL     | FINISH . | REMARKS  |
|-----|----------|---|---------|-----|--------------|----------|--|
| 2   | Brass    | Over Plating : Silver 5.1 $\mu$ m<br>Under Plating : Nickel 1.3 $\mu$ m |         | 5   | Polyester    |          | (Top Cover Tape)   |
| 1   | LCP      | Gray UL94V-0  |         | 4   | Polystyrene  |          | (Embossed Carrier Tape)  |
|     |          |   |         | 3   | Copper alloy |          | Contact Area : Gold 0.76 $\mu$ m<br>Under Plating : Nickel 1.3 $\mu$ m |

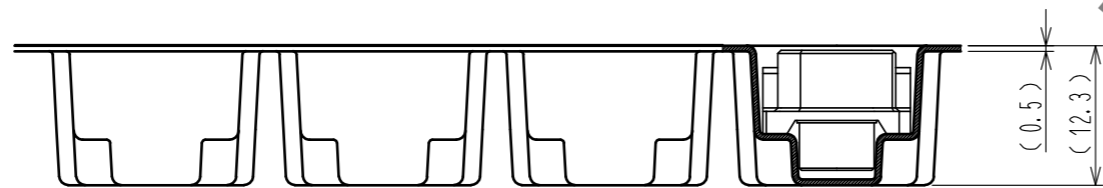
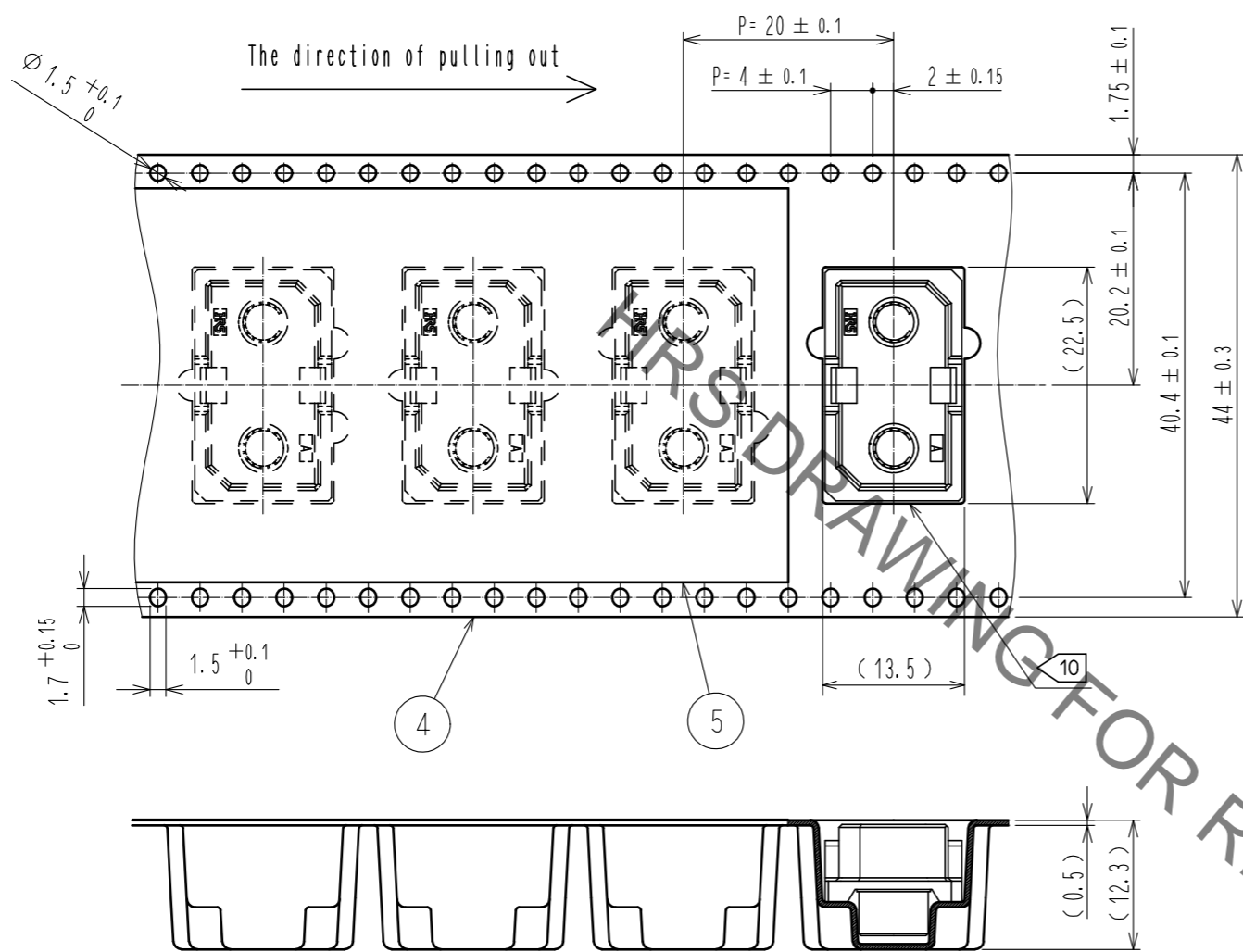
| UNITS | SCALE | COUNT | DESCRIPTION OF REVISIONS | DESIGNED      | CHECKED   | DATE     |
|-------|-------|-------|--------------------------|---------------|-----------|----------|
| mm    | 2 : 1 | 7     | DIS-F-00003882           | AS. MATSUZAWA | MK. EZAKI | 20181030 |

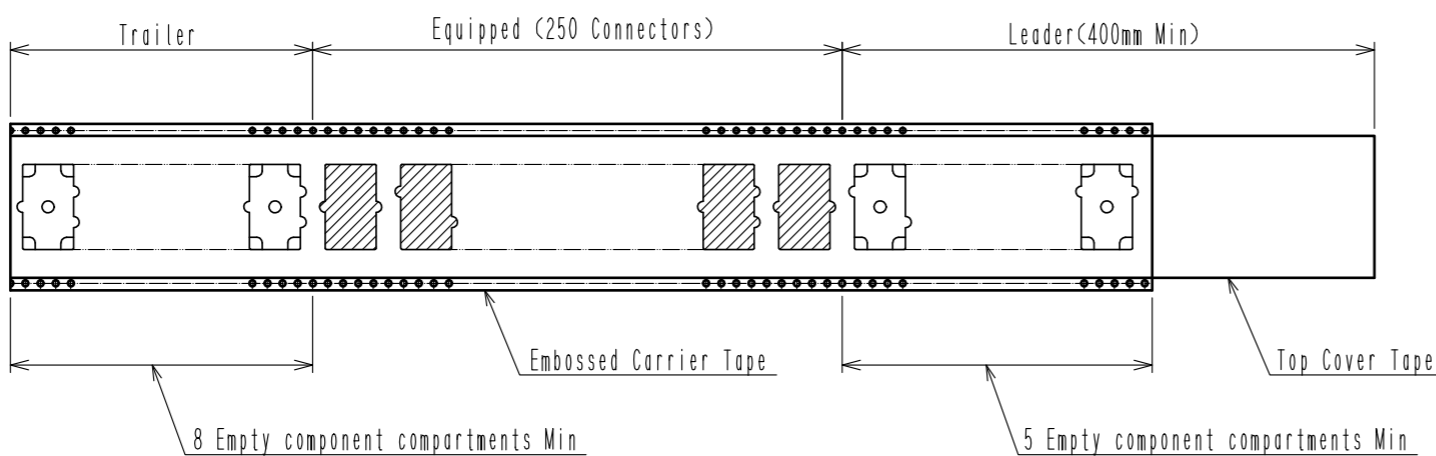
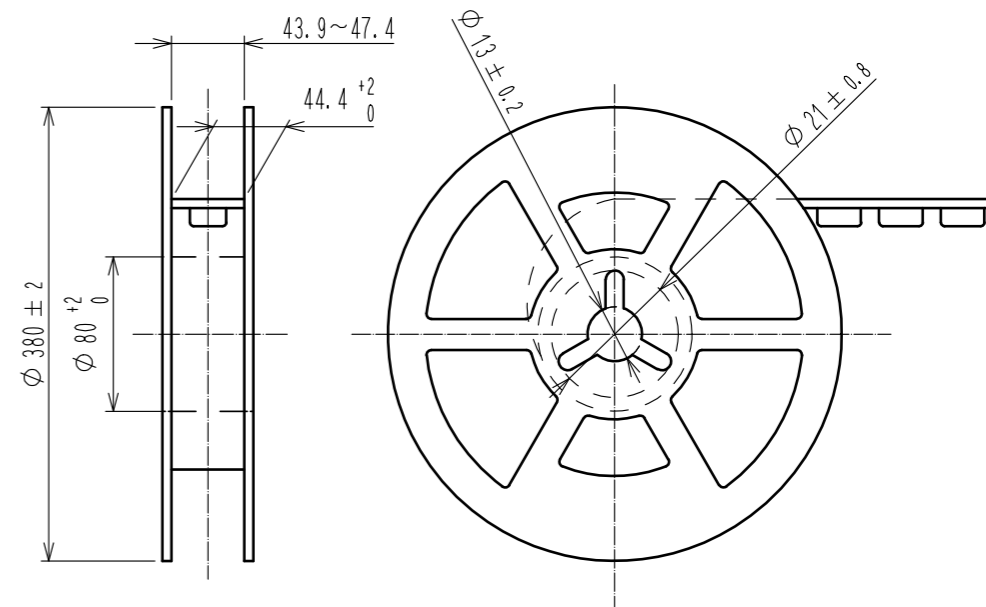
| APPROVED  | CHECKED      | DESIGNED    | DRAWN       | DRAWING NO.      | PART NO.     | CODE NO.        |
|-----------|--------------|-------------|-------------|------------------|--------------|-----------------|
| HS. OKAWA | KI. HIROKAWA | KN. SHIBUYA | KN. SHIBUYA | EDC-339734-00-00 | IT-PD-2S-DIR | CL636-0601-0-00 |
| 20111216  | 20111215     | 20111215    | 20111215    |                  |              |                 |

Aug.1.2021 Copyright 2021 HIROSE ELECTRIC CO., LTD. All Rights Reserved.  
 In case of consideration for using Automotive equipment / device which demand high reliability, kindly contact our sales window correspondents.

Drawing For Packing (Free)



Reeling Dimension (Free)



⚠ Delete

|            |             |                  |  |     |
|------------|-------------|------------------|--|-----|
| <b>HRS</b> | DRAWING NO. | EDC-339734-00-00 |  | 2/2 |
|            | PART NO.    | IT-PD-2S-DIR     |  |     |
|            | CODE NO.    | CL636-0601-0-00  |  |     |
|            |             |                  |  |     |

## X-ON Electronics

Largest Supplier of Electrical and Electronic Components

*Click to view similar products for [Power to the Board](#) category:*

*Click to view products by [Hirose](#) manufacturer:*

Other Similar products are found below :

[6450171-4](#) [6450552-7](#) [6600323-8](#) [6643429-1](#) [6646040-2](#) [6651939-1](#) [6766604-1](#) [120959-1](#) [1393557-2](#) [1393532-2](#) [1393532-3](#) [1393532-4](#)  
[1393557-1](#) [1600812-5](#) [1-6450861-2](#) [1744132-7](#) [1761122-1](#) [1766250-1](#) [1892109-1](#) [2-6450860-5](#) [2-6450870-0](#) [1-6450161-4](#) [1-6450850-6](#) [1-](#)  
[6450869-6](#) [1645526-2](#) [1-6600130-0](#) [2005243-2](#) [TE34-12-16P-F0](#) [5-6450830-6](#) [5646956-4](#) [4-6450830-9](#) [4-6600333-3](#) [10125416-4050LF](#)  
[6600320-3](#) [3-6450860-5](#) [1888123-2](#) [6450166-1](#) [6643978-1](#) [6766605-1](#) [N11444](#) [6651938-1](#) [6450810-7](#) [46437-1112](#) [1-1589677-8](#) [5646956-5](#)  
[6450813-2](#) [6450129-4](#) [1645523-1](#) [PSS-06-01-T-S](#) [0465621864](#)