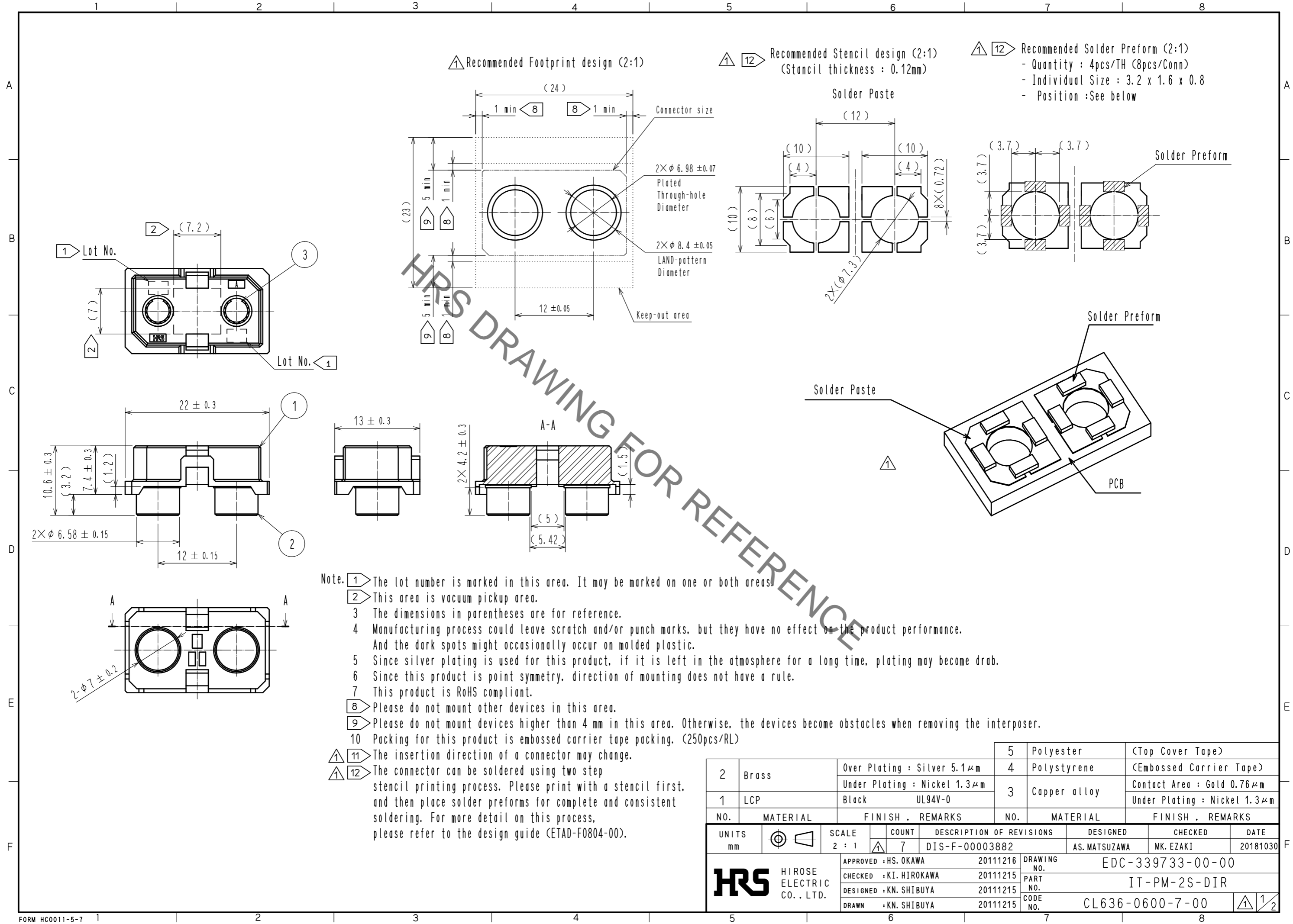


Sep.1.2021 Copyright 2021 HIROSE ELECTRIC CO., LTD. All Rights Reserved.  
In case of consideration for using Automotive equipment / device which demand high reliability, kindly contact our sales window correspondents.

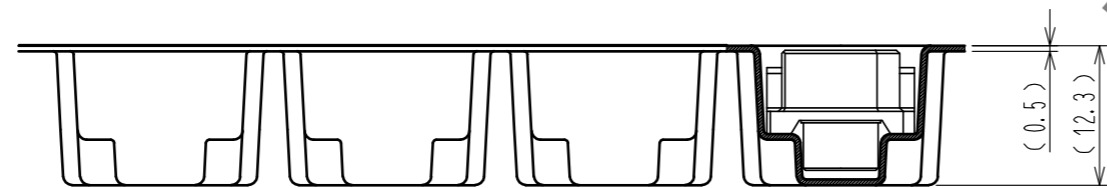
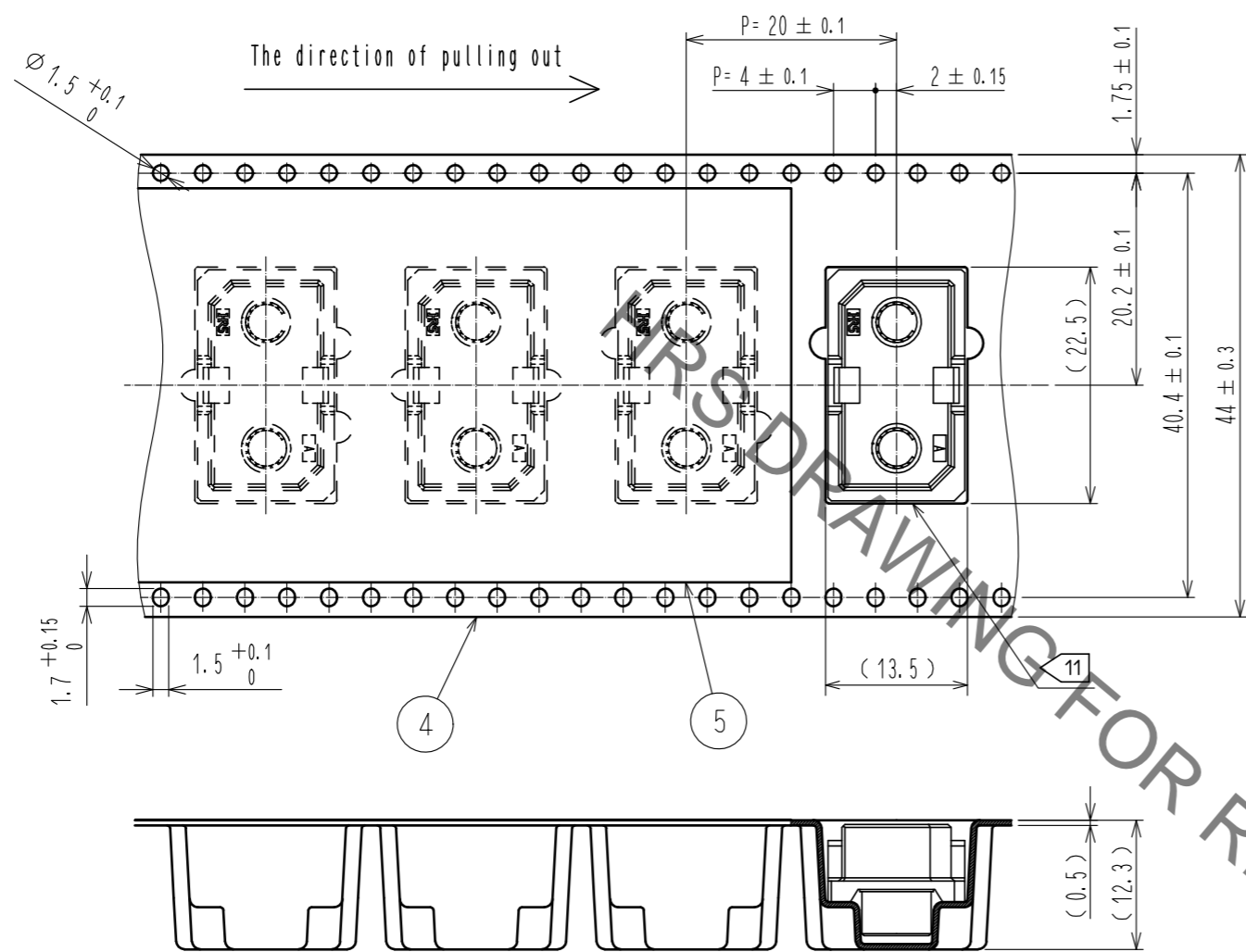


- Note.
- 1 The lot number is marked in this area. It may be marked on one or both areas.
  - 2 This area is vacuum pickup area.
  - 3 The dimensions in parentheses are for reference.
  - 4 Manufacturing process could leave scratch and/or punch marks, but they have no effect on the product performance. And the dark spots might occasionally occur on molded plastic.
  - 5 Since silver plating is used for this product, if it is left in the atmosphere for a long time, plating may become drab.
  - 6 Since this product is point symmetry, direction of mounting does not have a rule.
  - 7 This product is RoHS compliant.
  - 8 Please do not mount other devices in this area.
  - 9 Please do not mount devices higher than 4 mm in this area. Otherwise, the devices become obstacles when removing the interposer.
  - 10 Packing for this product is embossed carrier tape packing. (250pcs/RL)
  - △ 11 The insertion direction of a connector may change.
  - △ 12 The connector can be soldered using two step stencil printing process. Please print with a stencil first, and then place solder preforms for complete and consistent soldering. For more detail on this process, please refer to the design guide (ETAD-F0804-00).

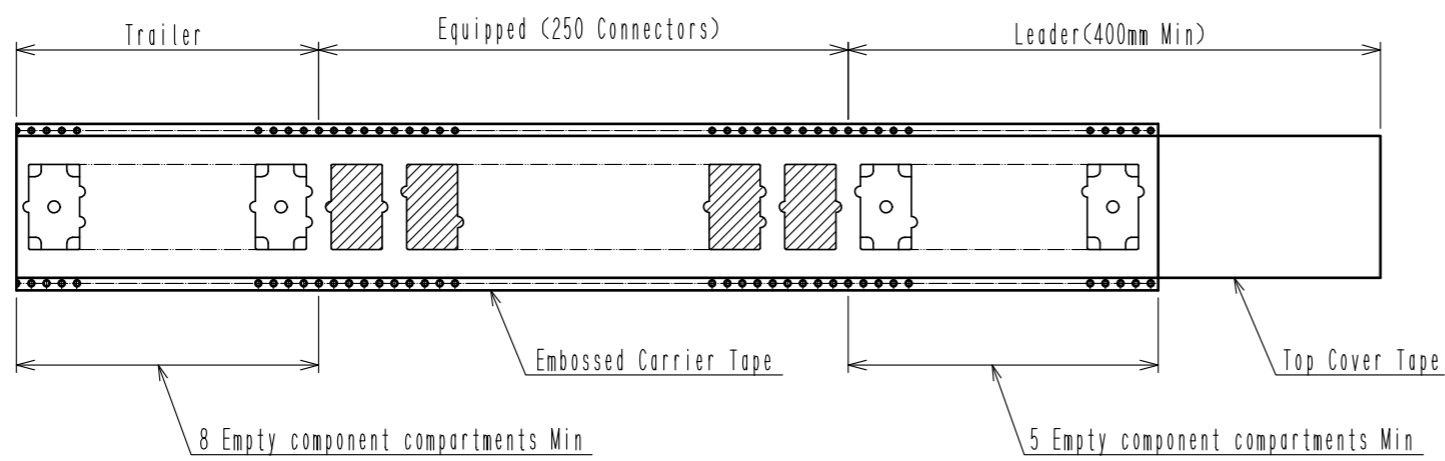
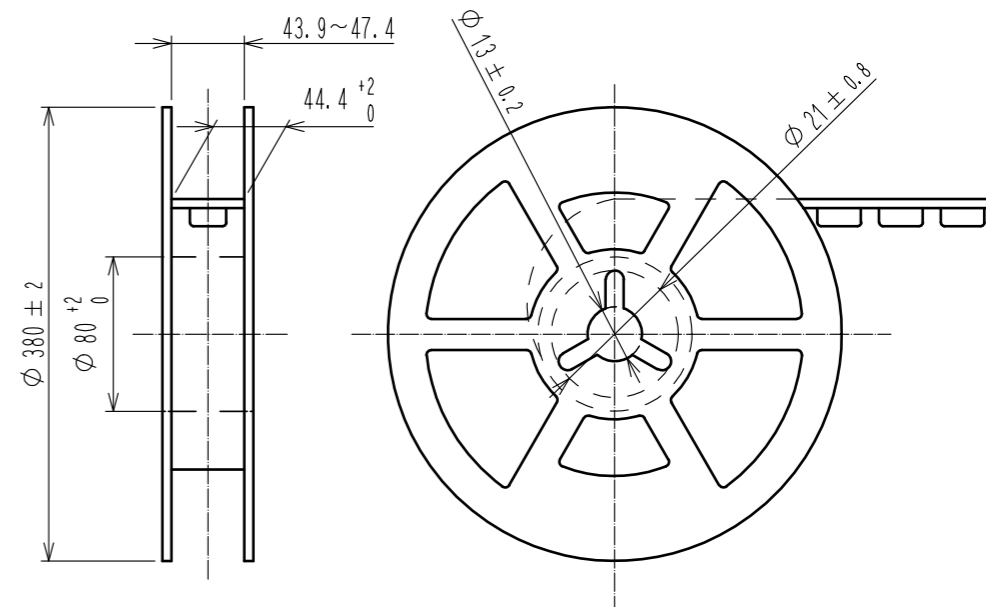
| 2                               | Brass    | Over Plating : Silver 5.1μm<br>Under Plating : Nickel 1.3μm | 5                               | Polyester                                  | (Top Cover Tape)   |
|---------------------------------|----------|---|---------------------------------|--|--|
| 1                               | LCP      | Black UL94V-0   | 4                               | Polystyrene                                | (Embossed Carrier Tape)                                    |
|                                 |          |   | 3                               | Copper alloy                               | Contact Area : Gold 0.76μm<br>Under Plating : Nickel 1.3μm |
| NO.                             | MATERIAL | FINISH . REMARKS  | NO.                             | MATERIAL                                   | FINISH . REMARKS   |
| UNITS<br>mm                     |          | SCALE<br>2 : 1  | COUNT<br>7                      | DESCRIPTION OF REVISIONS<br>DIS-F-00003882 |  |
| DESIGNED<br>AS. MATSUZAWA       |          |   | CHECKED<br>MK. EZAKI            |  |  |
| DATE<br>20181030                |          |   | DRAWING NO.<br>EDC-339733-00-00 |  |  |
| APPROVED : HS. OKAWA 20111216   |          |   | PART NO.<br>IT-PM-2S-DIR        |  |  |
| CHECKED : KI. HIROKAWA 20111215 |          |   | CODE NO.<br>CL636-0600-7-00     |  |  |
| DESIGNED : KN. SHIBUYA 20111215 |          |   | △ 1/2                           |  |  |
| DRAWN : KN. SHIBUYA 20111215    |          |   |                                 |  |  |

Sep.1.2021 Copyright 2021 HIROSE ELECTRIC CO., LTD. All Rights Reserved.  
 In case of consideration for using Automotive equipment / device which demand high reliability, kindly contact our sales window correspondents.

Drawing For Packing (Free)



Reeling Dimension (Free)



⚠ Delete

|            |             |                  |     |
|------------|-------------|------------------|-----|
| <b>HRS</b> | DRAWING NO. | EDC-339733-00-00 | 2/2 |
|            | PART NO.    | IT-PM-2S-DIR     |     |
|            | CODE NO.    | CL636-0600-7-00  |     |
|            |             |                  |     |

## X-ON Electronics

Largest Supplier of Electrical and Electronic Components

*Click to view similar products for [Power to the Board](#) category:*

*Click to view products by [Hirose](#) manufacturer:*

Other Similar products are found below :

[6450171-4](#) [6450552-7](#) [6600323-8](#) [6643429-1](#) [6646040-2](#) [6651939-1](#) [6766604-1](#) [120959-1](#) [1393557-2](#) [1393532-2](#) [1393532-3](#) [1393532-4](#)  
[1393557-1](#) [1600812-5](#) [1-6450861-2](#) [1744132-7](#) [1761122-1](#) [1766250-1](#) [1892109-1](#) [2-6450860-5](#) [2-6450870-0](#) [1-6450161-4](#) [1-6450850-6](#) [1-](#)  
[6450869-6](#) [1645526-2](#) [1-6600130-0](#) [2005243-2](#) [TE34-12-16P-F0](#) [5-6450830-6](#) [5646956-4](#) [4-6450830-9](#) [4-6600333-3](#) [10125416-4050LF](#)  
[6600320-3](#) [3-6450860-5](#) [1888123-2](#) [6450166-1](#) [6643978-1](#) [6766605-1](#) [N11444](#) [6651938-1](#) [6450810-7](#) [46437-1112](#) [1-1589677-8](#) [5646956-5](#)  
[6450813-2](#) [6450129-4](#) [1645523-1](#) [PSS-06-01-T-S](#) [0465621864](#)