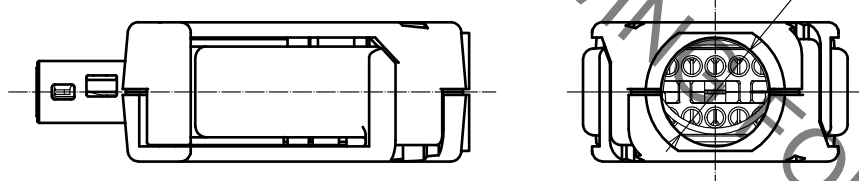
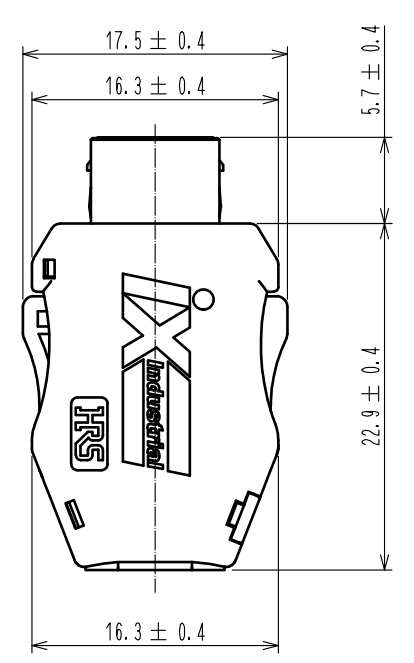
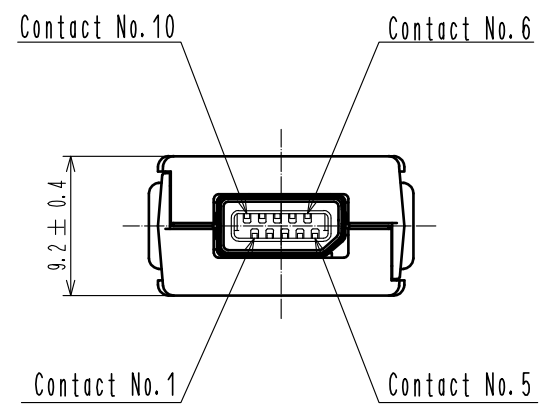
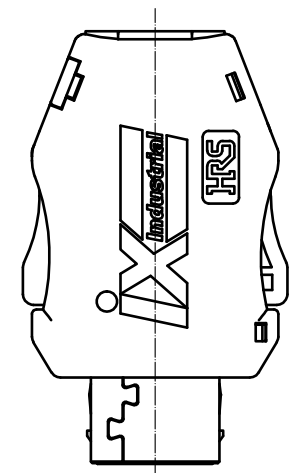


Sep.1.2021 Copyright 2021 HIROSE ELECTRIC CO., LTD. All Rights Reserved.  
In case of consideration for using Automotive equipment / device which demand high reliability, kindly contact our sales window correspondents.

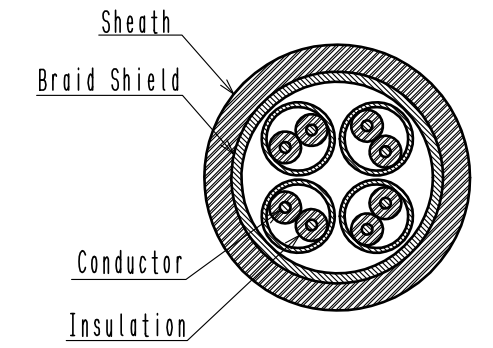
△(Part No.4 shape change)



Notes. 1. Applicable cable condition is shown below.  
In case of using a not applicable cable, please contact our sales representative.  
Refer to the technical specification (ETAD-E3162-00) for wiring and assembly procedure.

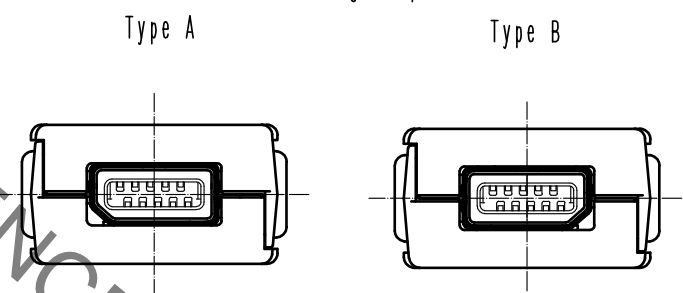
Applicable Cable

| Items            |             | Applicable Condition |
|------------------|-------------|----------------------|
| Conductor        | Size        | AWG#28 to 26         |
|                  | Composition | 7 stranded           |
|                  | Material    | Annealed copper wire |
| Insulation O. D. |             | φ 0.95 to 1.05mm     |
| Braid Shield     |             | Tin plating          |
| Sheath O. D.     |             | φ 6.3 to 7.2mm       |



2. This product (Type B) is used for non Ethernet applications like signaling, serial or other industrial bus communication systems.  
Please use Type A for 10/100Mbit/s and 1/10 Gbit/s Ethernet communication.

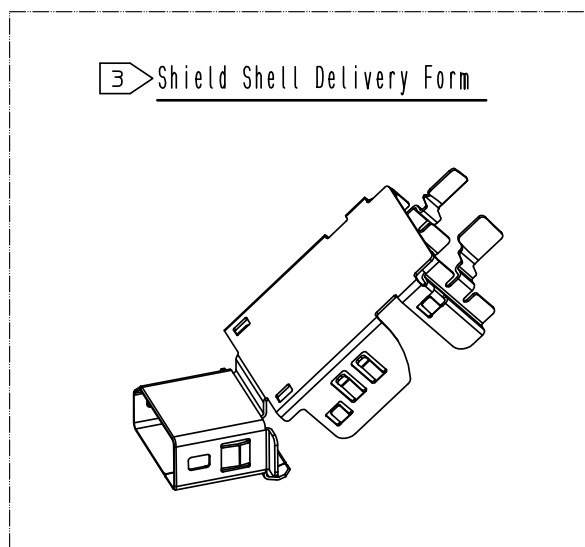
Mating Shape



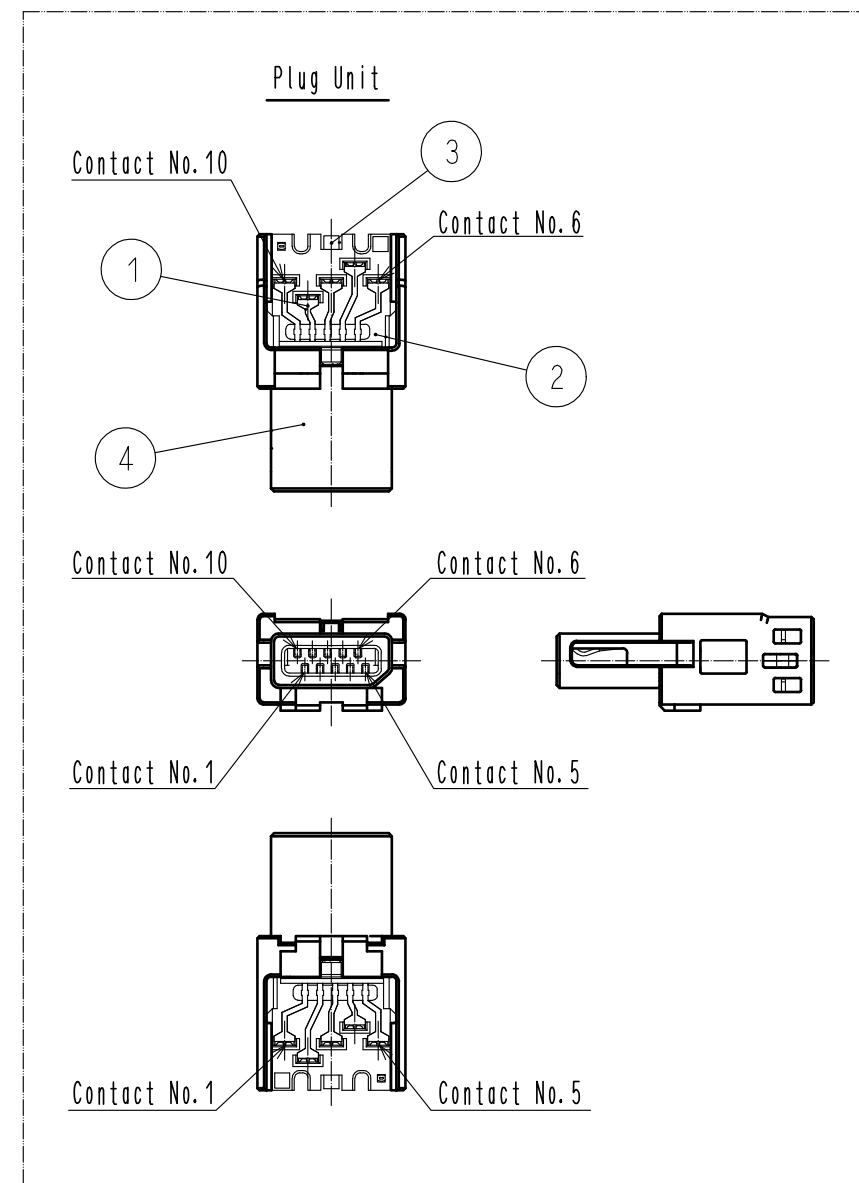
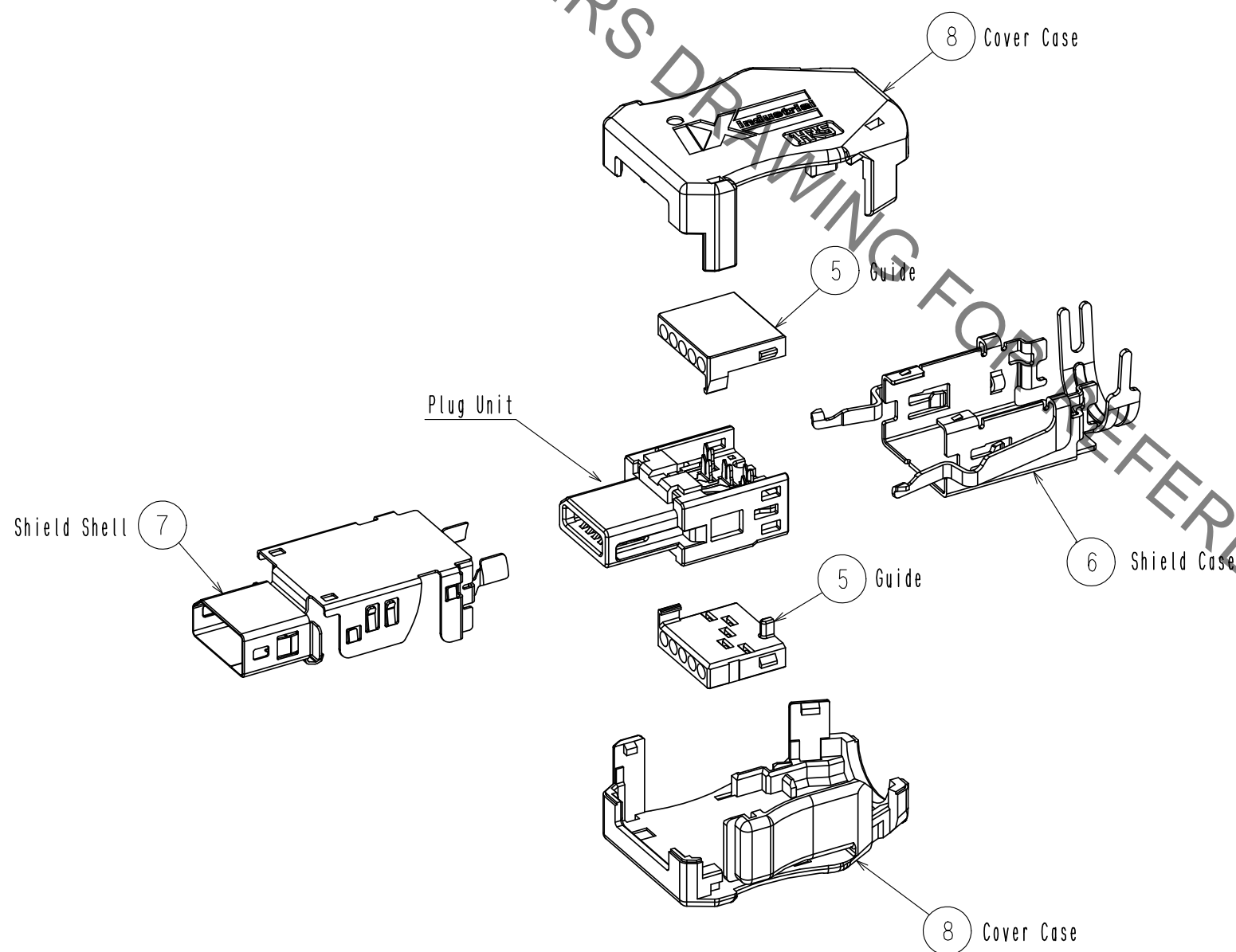
③ This product except plug unit is packed separately by the types of parts.  
Shield Shell is packed in pre-bended state. (See next page.)

|                         |                 |   |                                 |  |                          |                      |                  |
|-------------------------|-----------------|---|---------------------------------|--|--------------------------|----------------------|------------------|
| 4                       | PA              | Black, UL94V-0  | 8                               | PC   | Dark gray, UL94V-0       |                      |                  |
| 3                       | Stainless Steel |   | 7                               | Stainless Steel                            | Nickel 0.2 μm min        |                      |                  |
| 2                       | PA              | Black, UL94V-0  | 6                               | Stainless Steel                            | Nickel 1 μm min          |                      |                  |
| 1                       | Copper Alloy    | Contact area : Gold 0.2 μm min<br>Wiring area : Gold 0.03 μm min<br>Under plating : Nickel 2 μm min | 5                               | PC   | Clear, UL94V-0           |                      |                  |
| NO.                     | MATERIAL        | FINISH . REMARKS  | NO.                             | MATERIAL                                   | FINISH . REMARKS         |                      |                  |
| UNITS<br>mm             | ④               | SCALE<br>2 : 1  | COUNT<br>1                      | DESCRIPTION OF REVISIONS<br>DIS-E-00003265 | DESIGNED<br>KI. KAGOTANI | CHECKED<br>MN. KENJO | DATE<br>20200925 |
| APPROVED : RI. TAKAYASU |                 | 20170324  | DRAWING NO.<br>EDC-129487-00-00 |  |                          |                      |                  |
| CHECKED : KI. NAGANUMA  |                 | 20170324  | PART NO.<br>IX30G-B-10S-CV(7.0) |  |                          |                      |                  |
| DESIGNED : HT. SATO     |                 | 20170324  | CODE NO.<br>CL251-0025-0-00     |  |                          |                      |                  |
| DRAWN : HT. SATO        |                 | 20170324  |                                 |  |                          |                      |                  |

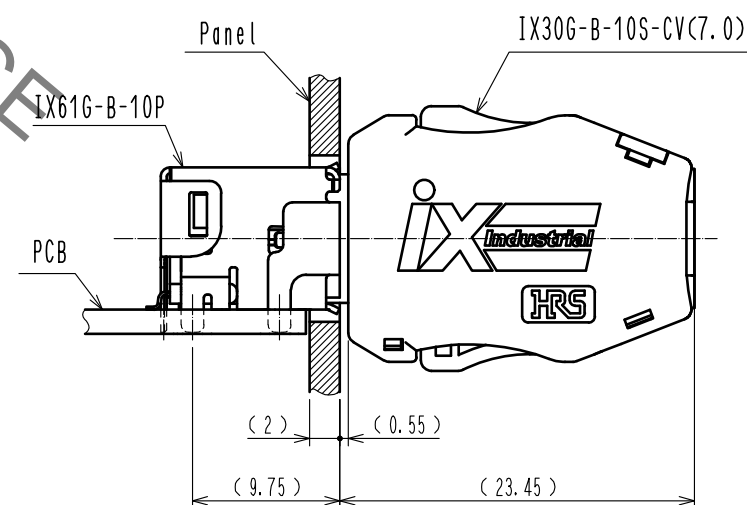
Sep.1.2021 Copyright 2021 HIROSE ELECTRIC CO., LTD. All Rights Reserved.  
 In case of consideration for using Automotive equipment / device which demand high reliability, kindly contact our sales window correspondents.



Product Structure



Mating Condition



|            |             |                     |
|------------|-------------|---------------------|
| <b>HRS</b> | DRAWING NO. | EDC-129487-00-00    |
|            | PART NO.    | IX30G-B-10S-CV(7.0) |
|            | CODE NO.    | CL251-0025-0-00     |
|            |             | △ 2/2               |

## X-ON Electronics

Largest Supplier of Electrical and Electronic Components

*Click to view similar products for [I/O Connectors](#) category:*

*Click to view products by [Hirose](#) manufacturer:*

Other Similar products are found below :

[571763P](#) [58098-0628](#) [72.250.1628.2](#) [72.250.2428.2](#) [74720-0505](#) [76.350.0729.0](#) [76871-1403](#) [FCN-244F080-G/1](#) [FCN-260A9920](#) [PCR-E36PM](#) [PCS-XE26MA+](#) [G38A71314B](#) [1571250010](#) [157-22500-3](#) [MS3471L14-19P L/C](#) [192991-0703](#) [172501-4002](#) [172501-6002](#) [FCN-260C008-A/L0](#) [FCN-260C024-AL0](#) [FCN-261Z008](#) [2000314-1](#) [200331-1](#) [PCR-E36FC+](#) [PCS-E28FS+](#) [PCS-XE26SLFD+](#) [PCS-XE26SLFDT+](#) [G730VID08BDC24](#) [U90B2054081210](#) [UE86K842720321](#) [38113800006](#) [DP3AR020WQ1R200](#) [Z4.102.0680.0](#) [500-1040](#) [500-1052](#) [500-1054](#) [ZP-4008-66L](#) [0709821002](#) [DX40-20P\(55\)](#) [5554841-1](#) [MS3474W18-8P-LC\\*](#) [SM3106F14S-7S-LC](#) [U90B3054061110](#) [U65-E04-4020](#) [ZPF000000000097891](#) [557-262M2-06C](#) [747360449](#) [10099439-003C-TRLF](#) [10137239-0021LF](#) [E9320-001-01](#)