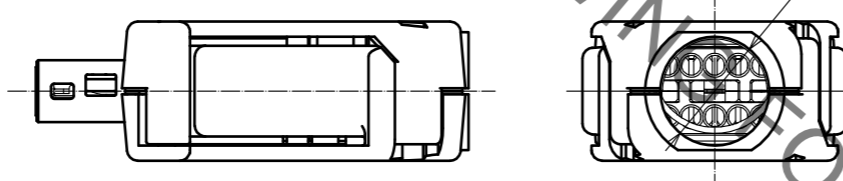
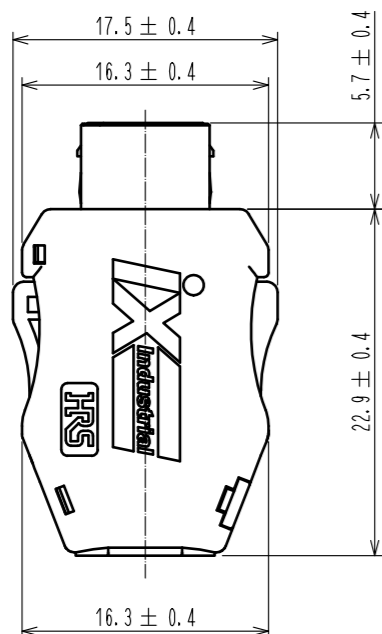
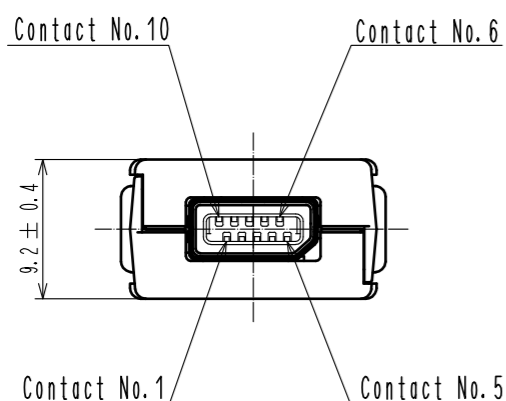
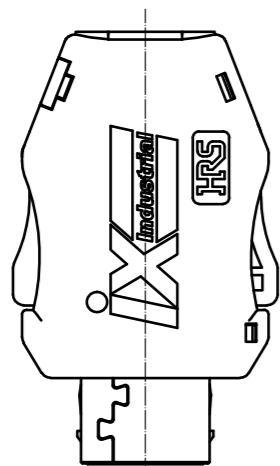


Sep.1.2021 Copyright 2021 HIROSE ELECTRIC CO., LTD. All Rights Reserved.
In case of consideration for using Automotive equipment / device which demand high reliability, kindly contact our sales window correspondents.

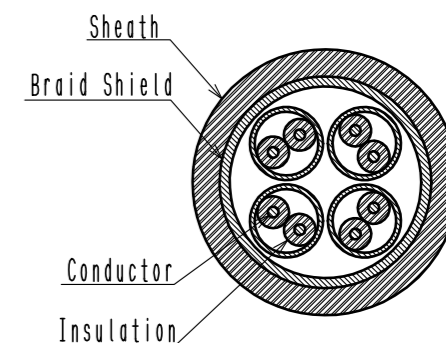
(Part No. 4 shape change)



Notes. 1. Applicable cable condition is shown below.
In case of using a not applicable cable, please contact our sales representative.
Refer to the technical specification (ETAD-E3162-00) for wiring and assembly procedure.

Applicable Cable

Items		Applicable Condition
Conductor	Size	AWG#24 to 25
	Composition	7 stranded
	Material	Annealed copper wire
Insulation O. D.		φ1.1 to 1.25mm
Braid Shield		Tin plating
Sheath O. D.		φ6.3 to 7.2mm

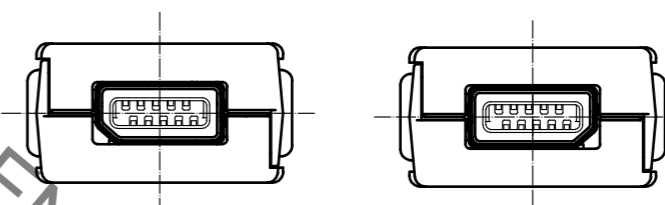


2. This product (Type B) is used for non Ethernet applications like signaling, serial or other industrial bus communication systems. Please use Type A for 10/100Mbit/s and 1/10 Gbit/s Ethernet communication.

Mating Shape

Type A

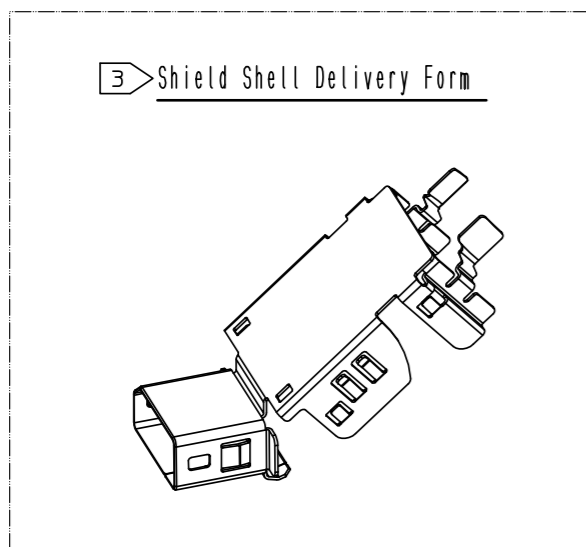
Type B



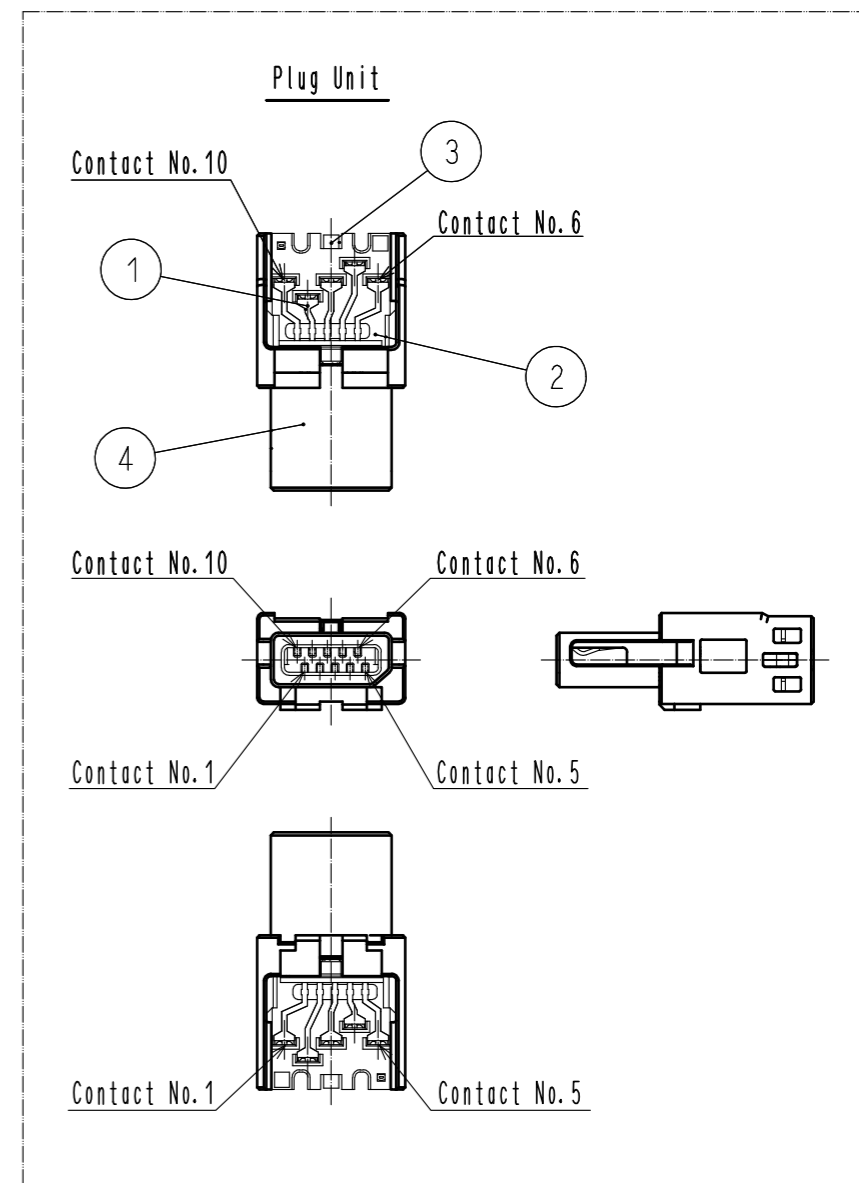
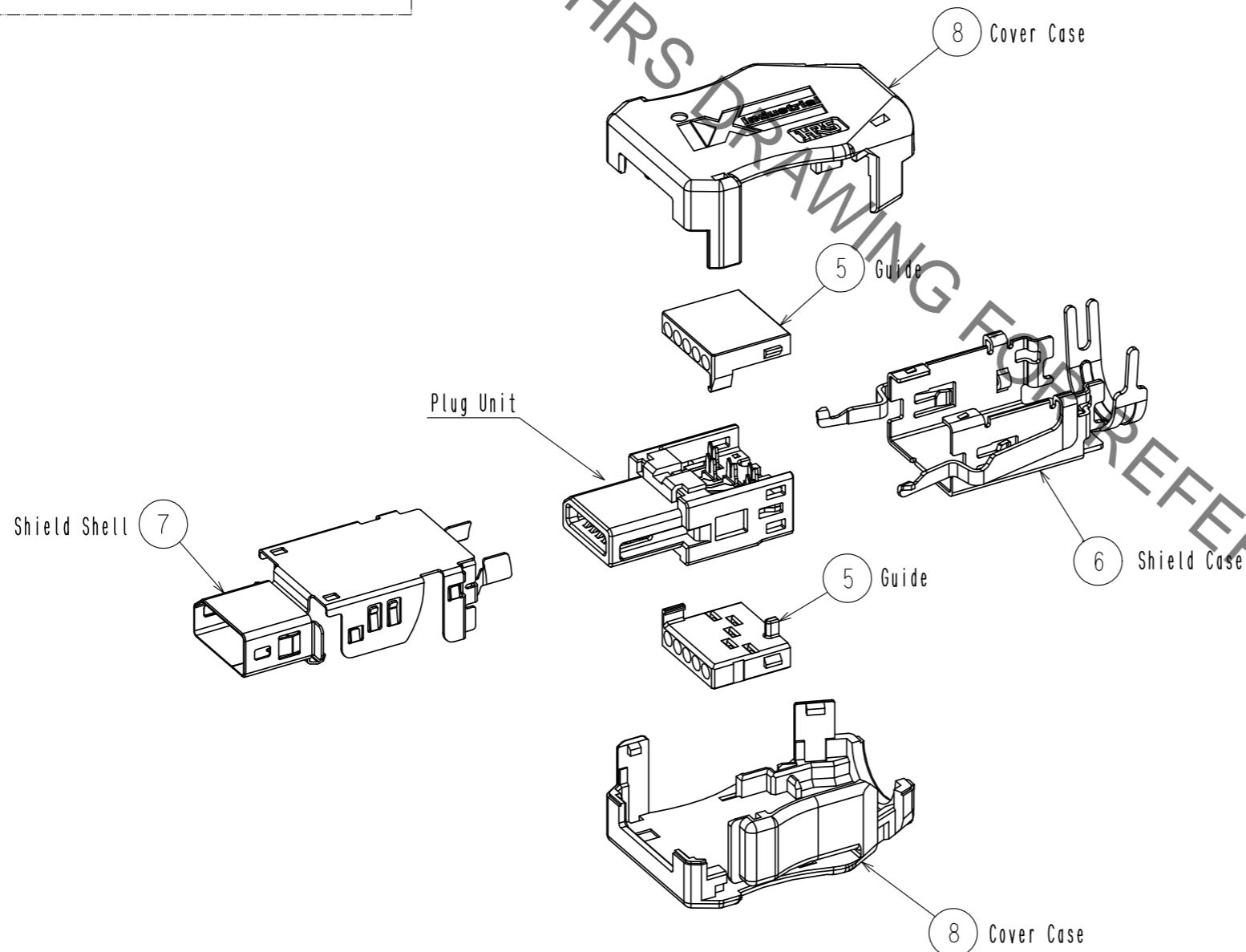
③ This product except plug unit is packed separately by the types of parts. Shield Shell is packed in pre-bended state. (See next page.)

4	PA	Black, UL94V-0	8	PC	Dark gray, UL94V-0
3	Stainless Steel		7	Stainless Steel	Nickel 0.2 μm min
2	PA	Dark gray, UL94V-0	6	Stainless Steel	Nickel 1 μm min
1	Copper Alloy	Contact area : Gold 0.2 μm min Wiring area : Gold 0.03 μm min Under plating : Nickel 2 μm min	5	PC	Clear yellow, UL94V-0
NO.	MATERIAL	FINISH . REMARKS	NO.	MATERIAL	FINISH . REMARKS
UNITS mm		SCALE 2 : 1	COUNT 1	DESCRIPTION OF REVISIONS DIS-E-00003265	
DESIGNED KI. KAGOTANI		CHECKED MN. KENJO		DATE 20200925	
APPROVED : RI. TAKAYASU		20170324		DRAWING NO. EDC-129486-00-00	
CHECKED : KI. NAGANUMA		20170324		PART NO. IX31G-B-10S-CV(7.0)	
DESIGNED : HT. SATO		20170324		CODE NO. CL251-0024-0-00	
DRAWN : HT. SATO		20170324		⑤ 1/2	

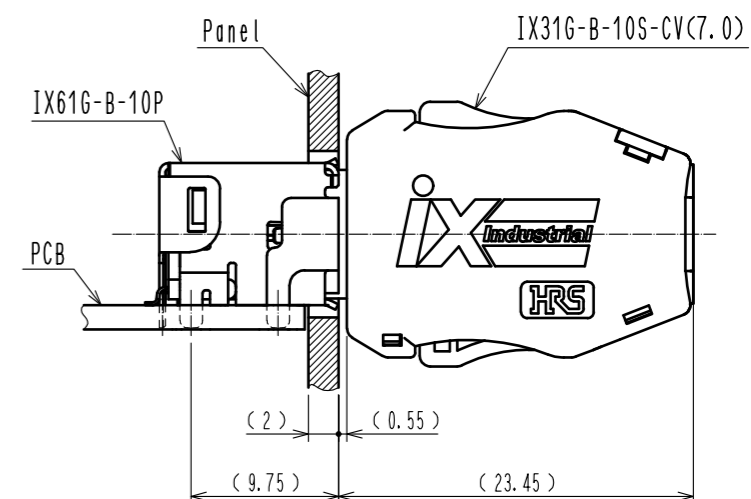
Sep.1.2021 Copyright 2021 HIROSE ELECTRIC CO., LTD. All Rights Reserved.
 In case of consideration for using Automotive equipment / device which demand high reliability, kindly contact our sales window correspondents.



Product Structure



Mating Condition



HRS	DRAWING NO.	EDC-129486-00-00
	PART NO.	IX31G-B-10S-CV(7.0)
	CODE NO.	CL251-0024-0-00
		△ 2/2

X-ON Electronics

Largest Supplier of Electrical and Electronic Components

Click to view similar products for [I/O Connectors](#) category:

Click to view products by [Hirose](#) manufacturer:

Other Similar products are found below :

[571763P](#) [58098-0628](#) [72.250.1628.2](#) [72.250.2428.2](#) [74720-0505](#) [76.350.0729.0](#) [76871-1403](#) [FCN-244F080-G/1](#) [FCN-260A9920](#) [PCR-E36PM](#) [PCS-XE26MA+](#) [G38A71314B](#) [1571250010](#) [157-22500-3](#) [MS3471L14-19P L/C](#) [192991-0703](#) [172501-4002](#) [172501-6002](#) [FCN-260C008-A/L0](#) [FCN-260C024-AL0](#) [FCN-261Z008](#) [2000314-1](#) [200331-1](#) [PCR-E36FC+](#) [PCS-E28FS+](#) [PCS-XE26SLFD+](#) [PCS-XE26SLFDT+](#) [G730VID08BDC24](#) [U90B2054081210](#) [UE86K842720321](#) [38113800006](#) [DP3AR020WQ1R200](#) [Z4.102.0680.0](#) [500-1040](#) [500-1052](#) [500-1054](#) [ZP-4008-66L](#) [0709821002](#) [DX40-20P\(55\)](#) [5554841-1](#) [MS3474W18-8P-LC*](#) [SM3106F14S-7S-LC](#) [U90B3054061110](#) [U65-E04-4020](#) [ZPF000000000097891](#) [557-262M2-06C](#) [747360449](#) [10099439-003C-TRLF](#) [10137239-0021LF](#) [E9320-001-01](#)