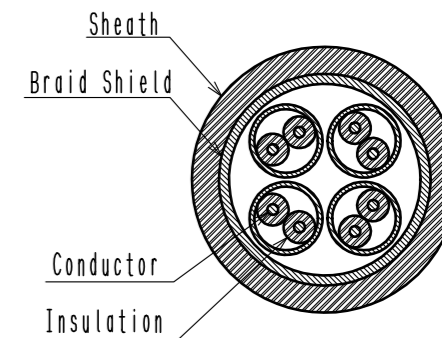


Nov.1.2022 Copyright 2022 HIROSE ELECTRIC CO., LTD. All Rights Reserved.  
In case of consideration for using Automotive equipment / device which demand high reliability, kindly contact our sales window correspondents.

Notes. 1. Recommended cable condition is shown below.  
A list of compatible cables is available on the Hirose website.  
When using a non-recommended cable, please contact a Hirose sales representative.  
Refer to the technical specification (ETAD-E3234-00) for wiring and assembly procedures.

| Recommended Cable |                       |
|-------------------|-----------------------|
| Items             | Recommended Condition |
| Conductor size    | AWG # 28-22           |
| Insulation O. D.  | φ 1.55 mm MAX.        |
| Braid Shield      | Tin plating           |
| Sheath O. D.      | φ 6.3 -7.2 mm         |

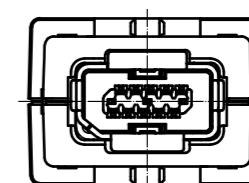
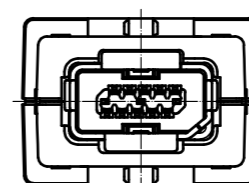


2. This product (Type B) is used for non Ethernet applications like signaling, serial or other industrial bus communication systems.  
Please use Type A for 10/100 Mbit/s and 1/10 Gbit/s Ethernet communication.

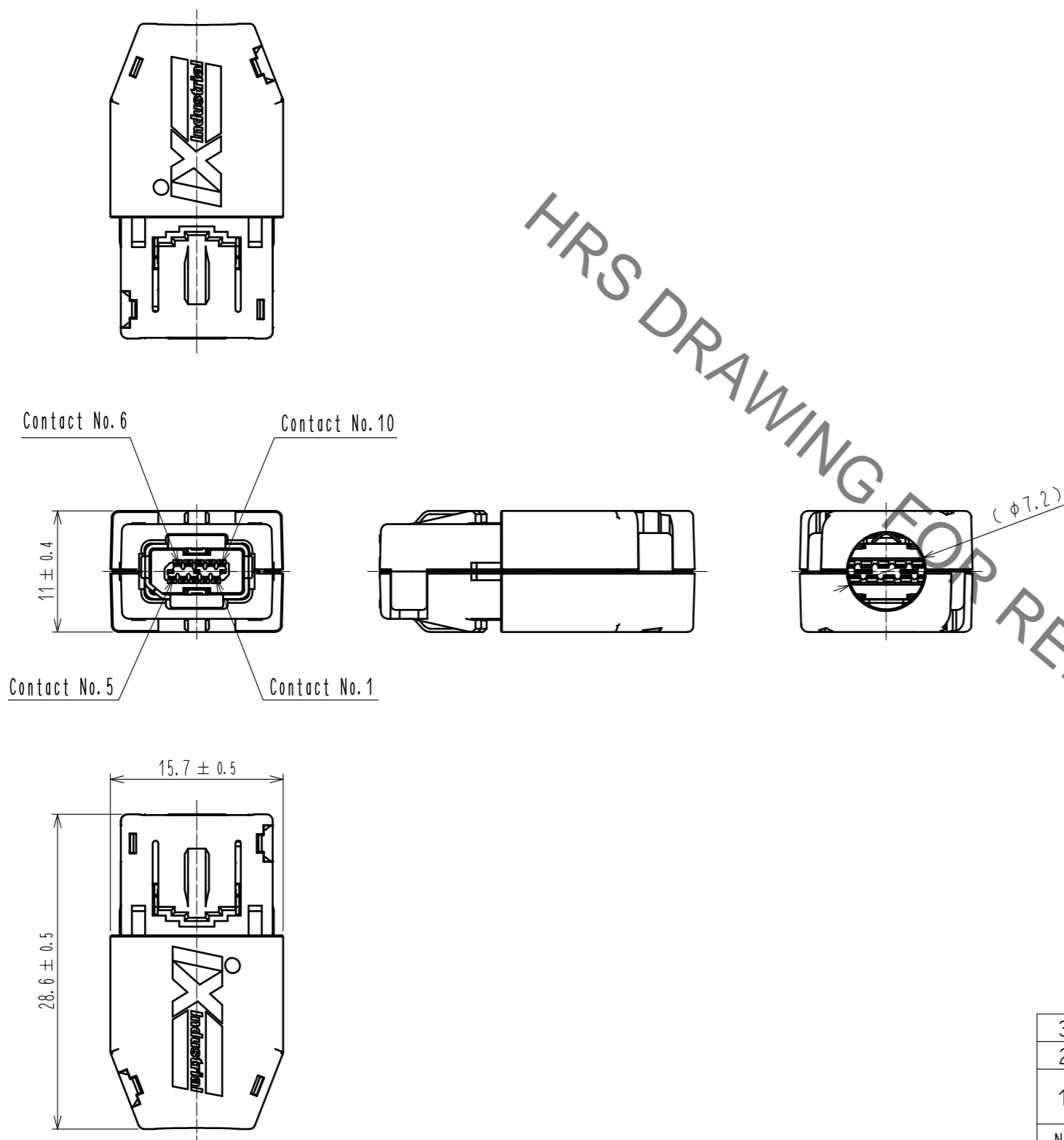
Mating Key

Type A

Type B



Excluding the plug unit, this product is packed separately by the types of parts.



| NO. | MATERIAL     | FINISH | REMARKS                         | NO. | MATERIAL        | FINISH | REMARKS            |
|-----|--------------|--------|---------------------------------|-----|-----------------|--------|--------------------|
| 3   | PA           |        | Black, UL94V-0                  | 8   | PC              |        | Dark gray, UL94V-0 |
| 2   | PA           |        | Black, UL94V-0                  | 7   | Stainless Steel |        | Nickel 1μm min     |
| 1   | Copper Alloy |        | Contact area : Gold 0.2 μm min  | 6   | Stainless Steel |        | Nickel 1μm min     |
|     |              |        | Wiring area : Gold 0.03 μm min  | 5   | Stainless Steel |        | Nickel 0.2μm min   |
|     |              |        | Under plating : Nickel 2 μm min | 4   | Stainless Steel |        |                    |

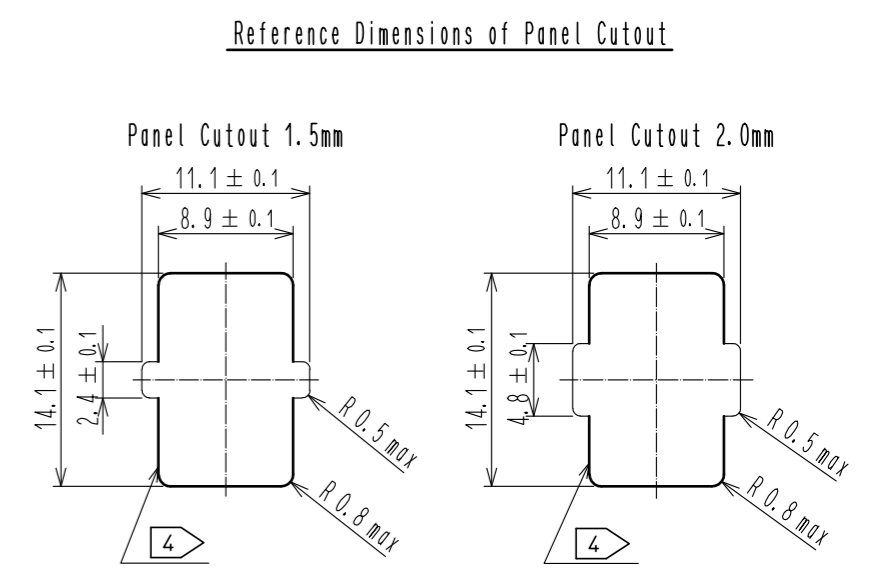
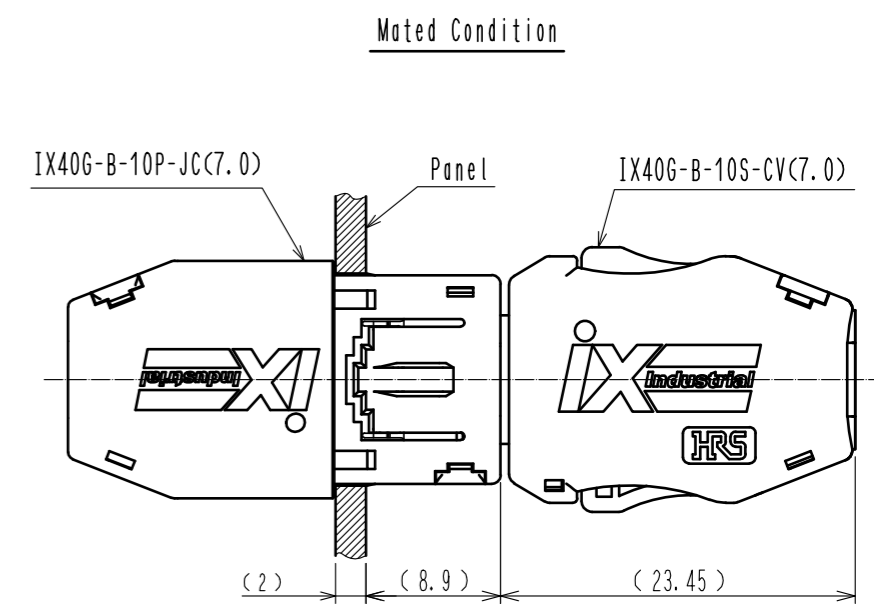
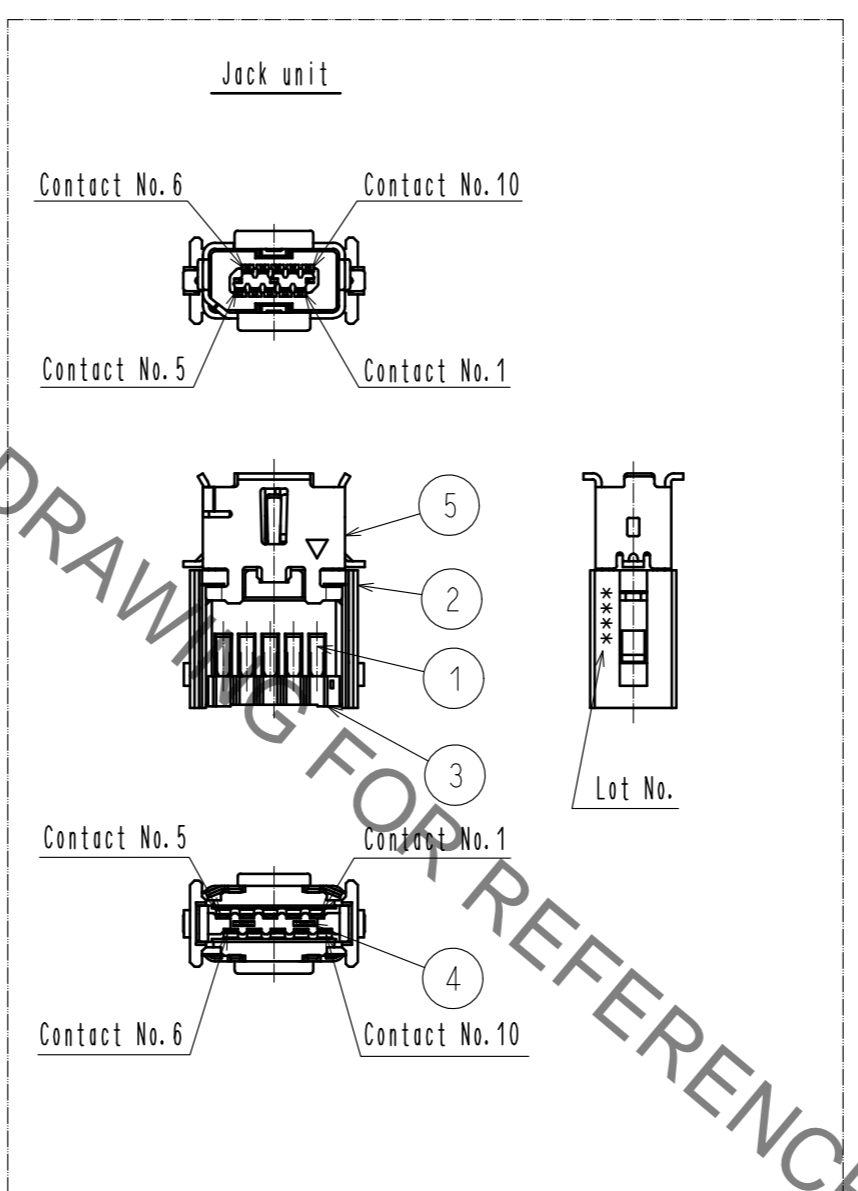
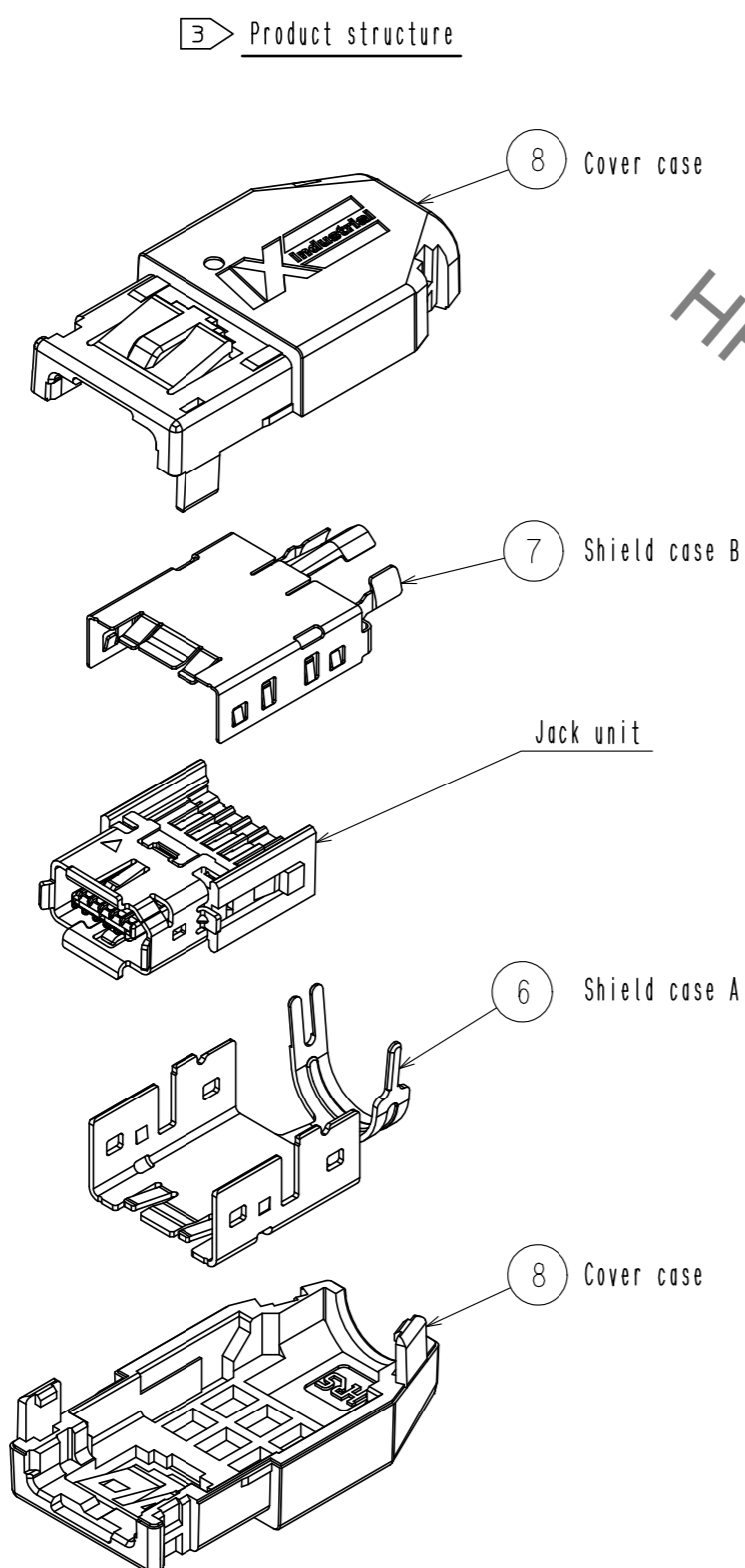
  

| UNITS | SCALE | COUNT | DESCRIPTION OF REVISIONS | DESIGNED | CHECKED      | DATE     |
|-------|-------|-------|--------------------------|----------|--------------|----------|
| mm    | 2 : 1 | 1     | DIS-E-00010012           | TS. ITO  | KI. KAGOTANI | 20220607 |

| APPROVED  | CHECKED      | DESIGNED | DRAWN    | DRAWING NO.      | PART NO.            | CODE NO.         |
|-----------|--------------|----------|----------|------------------|---------------------|------------------|
| MN. KENJO | KI. KAGOTANI | TS. ITO  | TS. ITO  | EDC-395800-00-00 | IX40G-B-10P-JC(7.0) | CL0251-0111-0-00 |
| 20210817  | 20210817     | 20210812 | 20210812 |                  |                     |                  |

Nov.1.2022 Copyright 2022 HIROSE ELECTRIC CO., LTD. All Rights Reserved.  
 In case of consideration for using Automotive equipment / device which demand high reliability, kindly contact our sales window correspondents.



⚠ 4 To prevent shaving, please add a chamfer of 0.1 on the periphery as shown in the above figure with the bold line.  
 The number of insertions to the panel is up to 10 times.

|            |             |                     |
|------------|-------------|---------------------|
| <b>HRS</b> | DRAWING NO. | EDC-395800-00-00    |
|            | PART NO.    | IX40G-B-10P-JC(7.0) |
|            | CODE NO.    | CL0251-0111-0-00    |
|            |             | ⚠ 2/2               |

## X-ON Electronics

Largest Supplier of Electrical and Electronic Components

*Click to view similar products for [Modular Connectors](#) / [Ethernet Connectors](#) category:*

*Click to view products by [Hirose](#) manufacturer:*

Other Similar products are found below :

[8949-H88/06BLKA/SN](#) [74441-0010/BKN](#) [PHP-6P6C-5](#) [GAX-3-66](#) [GDCX-PN-66](#) [GLX-A-44](#) [GLX-N-1010M-BLK](#) [GLX-S-88M-BLK](#)  
[GMX-SMT4-N-88](#) [GSGX-N-2-88](#) [GSGX-N-4-88](#) [GSX-NS2-88-3.05](#) [GSX-NS-88-3.68](#) [PT-108A-8C-UL](#) [PTS-J531-8CS-50UL](#) [A-2014-0-4](#)  
[GWLX-S9-88-YG](#) [DC-1021-8-WH-6](#) [1300530003](#) [1324640-4](#) [132764-001](#) [1413235](#) [MPS88RX-5000](#) [E5288-S000K3-L](#) [155302-001](#)  
[AX101050](#) [AX101063](#) [AX101065](#) [AX101072](#) [AX101307](#) [AX101315](#) [AX101318](#) [AX102271](#) [AX102651](#) [AX102660](#) [AX104024](#) [203475](#)  
[J0026D01ENL](#) [PC4D0018P](#) [KIT38082NI](#) [8949-B88/6](#) [2-6609208-5](#) [30-8603](#) [30-8956](#) [30-8964-100](#) [SM85](#) [17-103540](#) [191587](#) [PDI-68-RV](#)  
[PHP-8P8C-S-5](#)