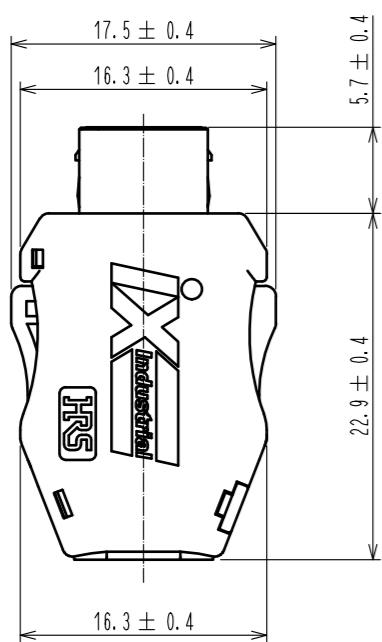
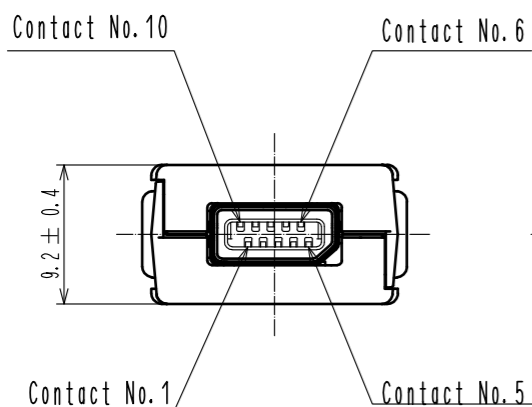
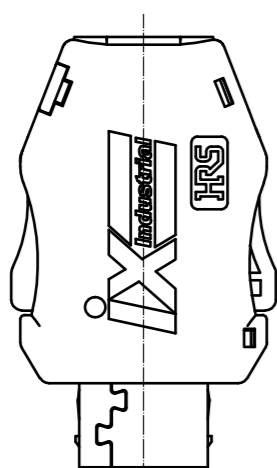


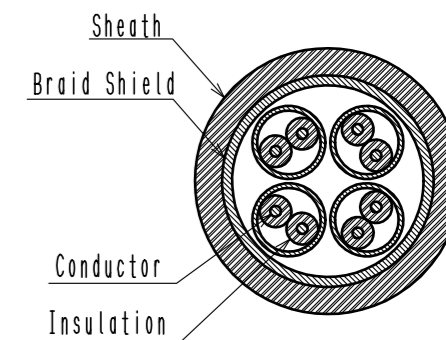
Oct.1.2021 Copyright 2021 HIROSE ELECTRIC CO., LTD. All Rights Reserved.  
In case of consideration for using Automotive equipment / device which demand high reliability, kindly contact our sales window correspondents.

△(Part No.4 shape change)

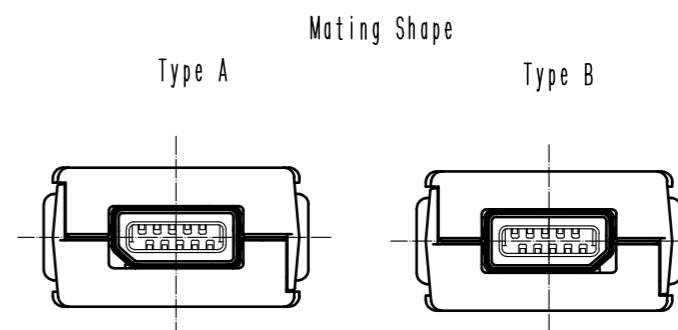


Notes. 1. Applicable cable condition is shown below.  
In case of using a not applicable cable, please contact our sales representative.  
Refer to the technical specification (ETAD-E3164-00) for wiring and assembly procedure.

Applicable Cable	
Items	Applicable Condition
Conductor size	AWG # 28-22
Insulation O.D.	φ 1.55 mm MAX.
Braid Shield	Tin plating
Sheath O.D.	φ 6.3 -7.2 mm



2. This product (Type B) is used for non Ethernet applications like signaling, serial or other industrial bus communication systems.  
Please use Type A for 10/100Mbit/s and 1/10 Gbit/s Ethernet communication.



3. This product except plug unit is packed separately by the types of parts.  
Shield Shell is packed in pre-bended state.(See next page.)

NO.	MATERIAL	FINISH .	REMARKS	NO.	MATERIAL	FINISH .	REMARKS
3	Stainless Steel			7	PC		Dark gray, UL94V-0
2	PA		Black, UL94V-0	6	Stainless Steel		Nickel 0.2 μm min
1	Copper Alloy		Contact area : Palladium-Nickel 0.75 μm min + Gold 0.05 μm min	5	Stainless Steel		Nickel 1 μm min
			Wiring area : Gold 0.03 μm min	4	PA		Black, UL94V-0
			Under plating : Nickel 2 μm min				

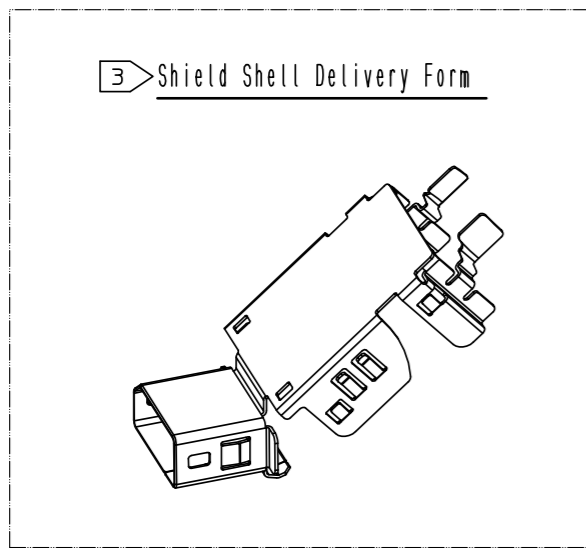
  

UNITS	SCALE	COUNT	DESCRIPTION OF REVISIONS	DESIGNED	CHECKED	DATE
mm	2 : 1	1	DIS-E-00003265	KI. KAGOTANI	MN. KENJO	20200925

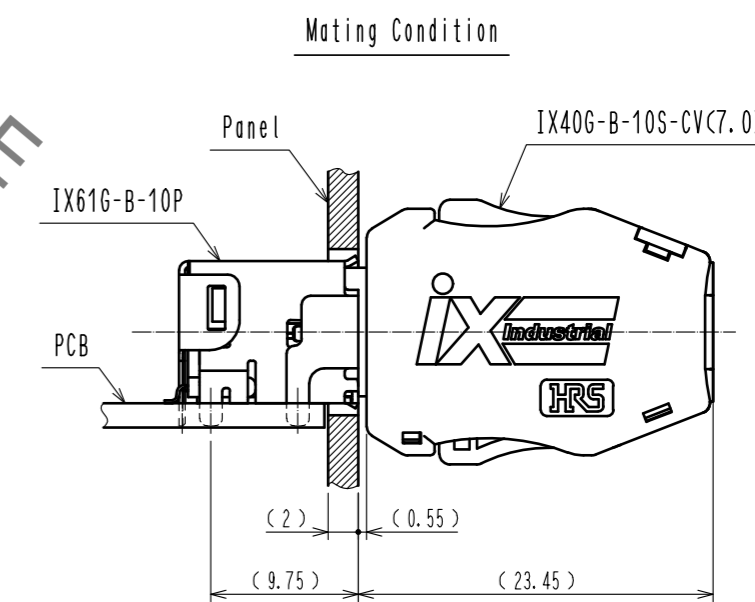
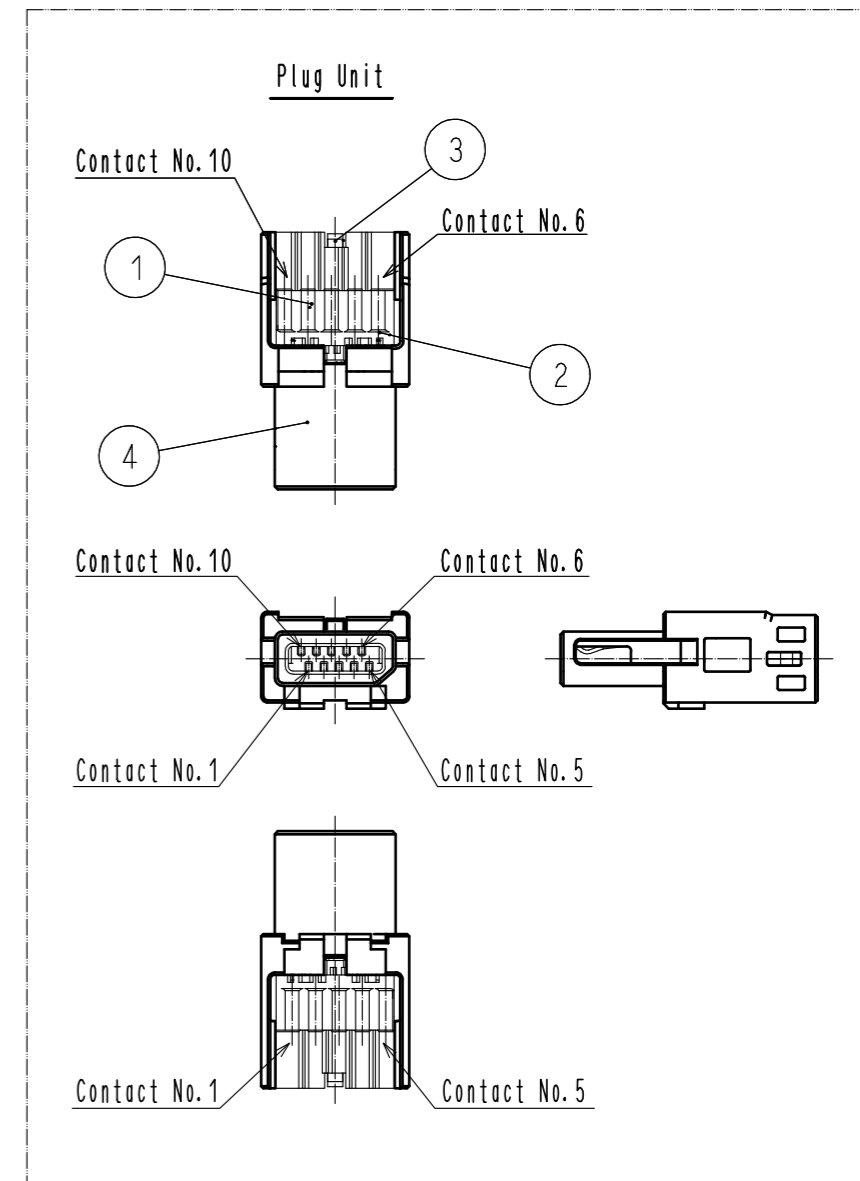
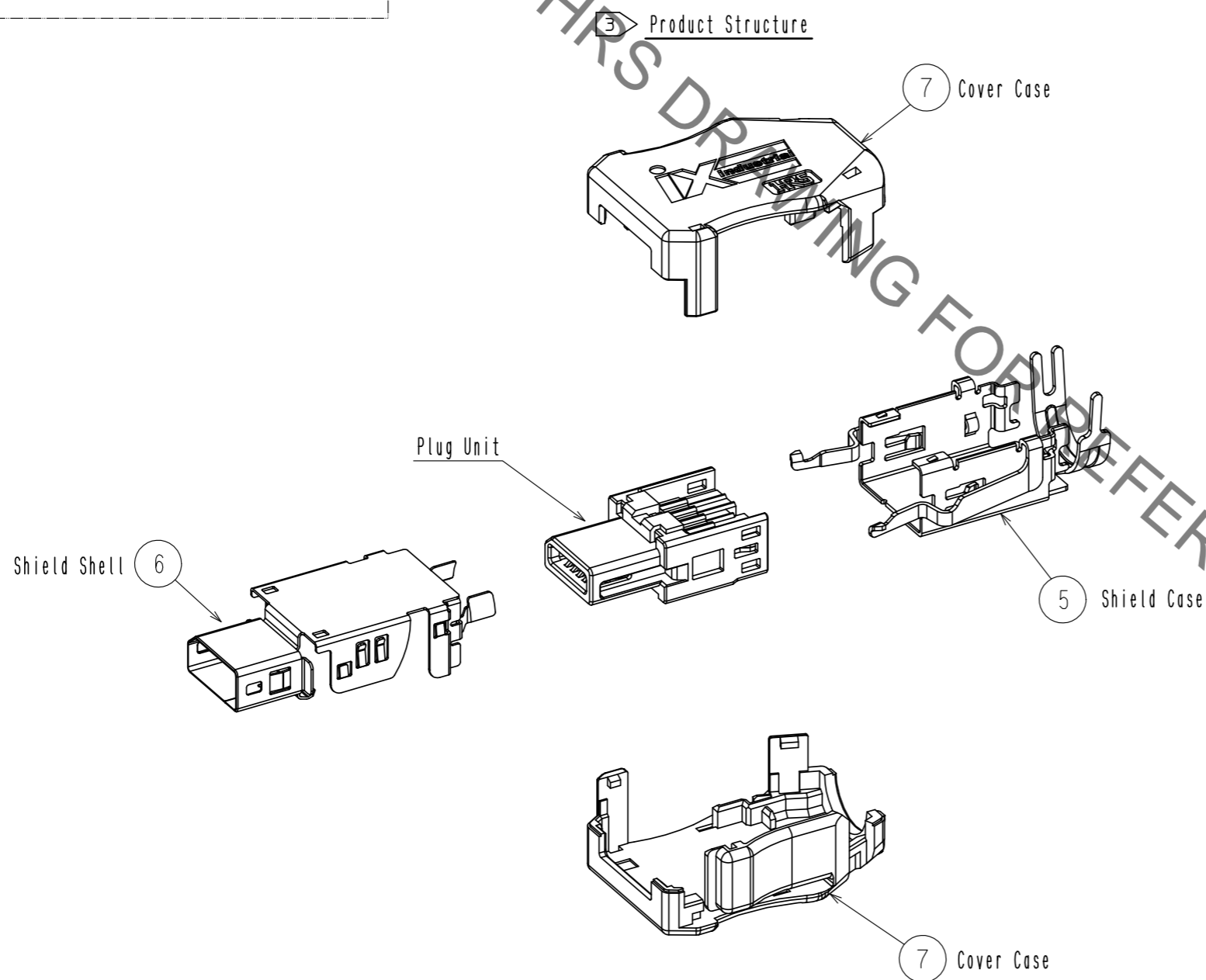
  

APPROVED : RI. TAKAYASU	20170411	DRAWING NO.	EDC-129507-01-00
CHECKED : KI. NAGANUMA	20170411	PART NO.	IX40G-B-10S-CV<7.0><01>
DESIGNED : TS. SAKAIZAWA	20170411	CODE NO.	CL251-0032-0-01
DRAWN : TS. SAKAIZAWA	20170411		

Oct.1.2021 Copyright 2021 HIROSE ELECTRIC CO., LTD. All Rights Reserved.  
 In case of consideration for using Automotive equipment / device which demand high reliability, kindly contact our sales window correspondents.



HRS DRAWING FOR REFERENCE



<b>HRS</b>	DRAWING NO.	EDC-129507-01-00
	PART NO.	IX40G-B-10S-CV(7.0)(01)
	CODE NO.	CL251-0032-0-01
		4/2

## X-ON Electronics

Largest Supplier of Electrical and Electronic Components

*Click to view similar products for [I/O Connectors](#) category:*

*Click to view products by [Hirose](#) manufacturer:*

Other Similar products are found below :

[571763P](#) [58098-0628](#) [72.250.1628.2](#) [72.250.2428.2](#) [74720-0505](#) [76.350.0729.0](#) [76871-1403](#) [FCN-244F080-G/1](#) [FCN-260A9920](#) [PCR-E36PM](#) [PCS-XE26MA+](#) [G38A71314B](#) [1571250010](#) [157-22500-3](#) [MS3471L14-19P L/C](#) [192991-0703](#) [172501-4002](#) [172501-6002](#) [FCN-260C008-A/L0](#) [FCN-260C024-AL0](#) [FCN-261Z008](#) [2000314-1](#) [200331-1](#) [PCR-E36FC+](#) [PCS-E28FS+](#) [PCS-XE26SLFD+](#) [PCS-XE26SLFDT+](#) [G730VID08BDC24](#) [U90B2054081210](#) [38113800006](#) [DP3AR020WQ1R200](#) [Z4.102.0680.0](#) [500-1040](#) [500-1052](#) [500-1054](#) [ZP-4008-66L](#) [0709821002](#) [DX40-20P\(55\)](#) [5554841-1](#) [MS3474W18-8P-LC\\*](#) [U90B3054061110](#) [U65-E04-4020](#) [ZPF000000000097891](#) [747360449](#) [10099439-003C-TRLF](#) [10137239-0021LF](#) [E9320-001-01](#) [10137239-0011LF](#) [70289-001LF](#) [70.060.1028.0](#)