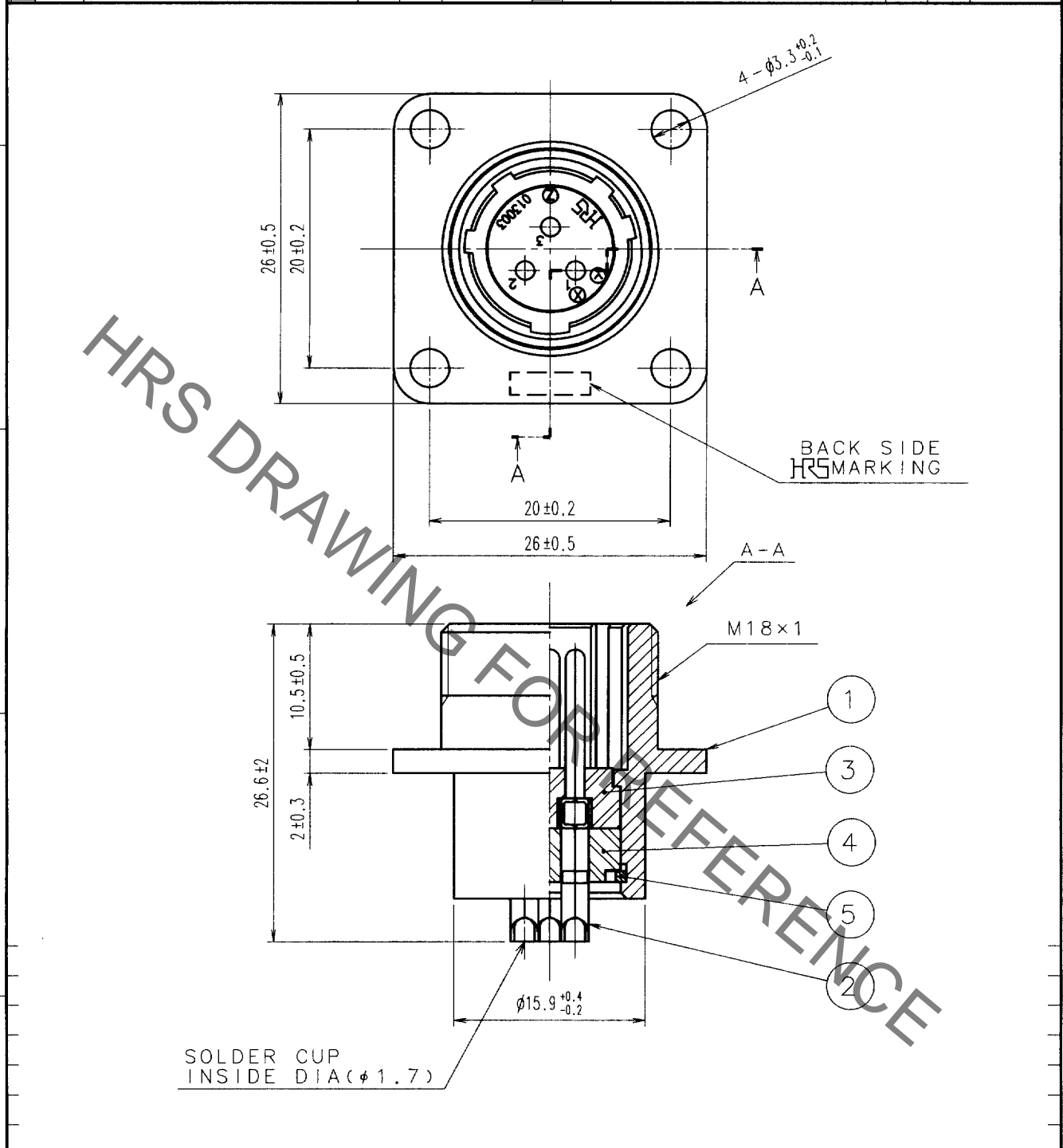


Sep. 1. 2021 Copyright 2021 HIROSE ELECTRIC CO., LTD. All Rights Reserved.
In case of consideration for using Automotive equipment / device which demand high reliability, kindly contact our sales window correspondents.

1		2			3			4		
COUNT	DESCRIPTION OF REVISIONS	BY	CHKD	DATE	COUNT	DESCRIPTION OF REVISIONS	BY	CHKD	DATE	
△				..	△				..	
△				..	△				..	
△				..	△				..	



3	PHENOL FORMALDEHYDE (BLACK) UL94V-0				
2	COPPER ALLOY SILVER PLATING	5	PHOSPHOR BRONZE NICKEL PLATING		
1	ALUMINUM ALLOY MATTE FINISH NICKEL PLATED	4	PHENOL FORMALDEHYDE (BLACK) UL94V-0		
NO.	MATERIAL	FINISH, REMARKS	NO.	MATERIAL	FINISH, REMARKS

CODE NO. (OLD)	DRAWN	DESIGNED	CHECKED	APPROVED	RELEASED
	H. Nagano	H. Nagano	E. Kunii	Am. Goshida	
	02.07.01	02.07.01	02.07.02	02.07.03	

 SCALE 2 : 1 UNITS mm	DRAWING NO. EDC4-024143	PART NO. JR13RK-3P
	 HIROSE ELECTRIC CO., LTD.	CODE NO. CL114-0517-7

TO
R

X-ON Electronics

Largest Supplier of Electrical and Electronic Components

Click to view similar products for [Standard Circular Connector](#) category:

Click to view products by [Hirose](#) manufacturer:

Other Similar products are found below :

[Hirose](#)