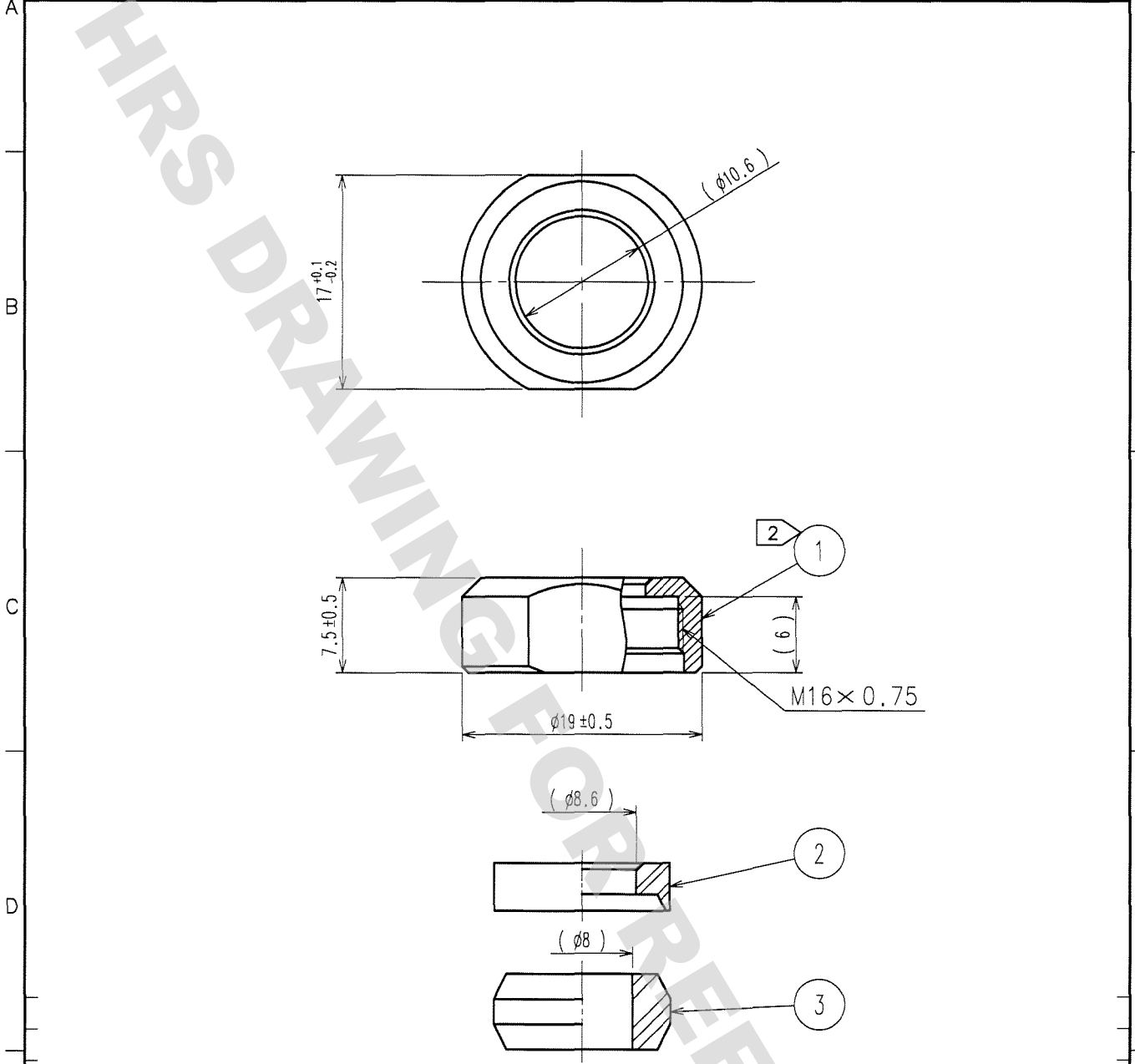


DRAWING FOR REFERENCE: This is subject to change without notice  
08/11/2012

1			2			3			4					
COUNT	DESCRIPTION OF REVISIONS	BY	CHKD	DATE	COUNT	DESCRIPTION OF REVISIONS	BY	CHKD	DATE	COUNT	DESCRIPTION OF REVISIONS	BY	CHKD	DATE
△					△									
△					△									
△					△									



NOTE 1 THIS PRODUCT IS DELIVERED DISASSEMBLED.  
 2 THE RECOMMENDED CLAMP TORQUE OF REF.Φ TO BE 2 TO 2.5 N·m  
 LOCTITE 271, HENKEL JAPAN OR EQUIVALENT IS RECOMMENDED TO PREVENT  
 REF, NO. Φ FROM LOOSENING.

2	PPS	(BLACK) UL94V-0			
1	BRASS	BLACK CHROME PLATING	3	NBR	(GRAY)
NO.	MATERIAL	FINISH, REMARKS	NO.	MATERIAL	FINISH, REMARKS

CODE NO. (OLD)		DRAWN	DESIGNED	CHECKED	APPROVED	RELEASED
		<i>S. Nozaki</i>	<i>M. Nagano</i>	<i>E. Kunita</i>	<i>M. Sato</i>	
		06.03.25	06.03.25	06.03.25	06.03.27	

 SACLE 2 : 1 UNITS mm	DRAWING NO.	PART NO.
	EDC4-110622-71	JR13WCCA-8(71)
 HIROSE ELECTRIC CO., LTD.	CODE NO.	
	CL114-2073-6-71	1/1

TO  
R

## X-ON Electronics

Largest Supplier of Electrical and Electronic Components

*Click to view similar products for [Standard Circular Connector](#) category:*

*Click to view products by [Hirose](#) manufacturer:*

Other Similar products are found below :

[5M2530B10P](#) [600259N006](#) [600273N007](#) [6134-336-13149](#) [6134-337-11149](#) [6134-337-2390](#) [6134-341-17149](#) [6280-4SG-516](#) [6280-7SG-3DC](#)  
[6290](#) [6291A](#) [66200A-10](#) [680-SMG](#) [681-PMG](#) [CXS3102A14S2P](#) [CXS3102A181S](#) [7251-6SG-300](#) [7271-6SG-300](#) [7282-3PG-300-CH3](#) [75-](#)  
[474014-05S](#) [75-474618-01S](#) [75-474618-04P](#) [75-474618-04S](#) [799539-000](#) [MI8-SE](#) [805-005-07NF11-19PC](#) [805-005-07NF15-7PA](#) [8280-4PG-](#)  
[516](#) [8280-7PG-519](#) [8282-5PG-519](#) [836783-1](#) [MP-4102-25P-C](#) [862256-1](#) [864019-2](#) [866857-1](#) [867865-1](#) [PT01SP-14-18P](#) [PT08P-14-5S](#)  
[PTSF06SE-14-12S](#) [120-1833-000](#) [QCM019PC2DC012B](#) [1-2069279-1](#) [121583-0217](#) [121667-0020](#) [129591AU](#) [1000B BULK](#) [RD10A16-19-](#)  
[P6CS051/1](#) [RD10A20-31-P8CS051/1](#) [RD16A14-12-S6CS051/2](#) [1301240290](#) [1301240347](#)