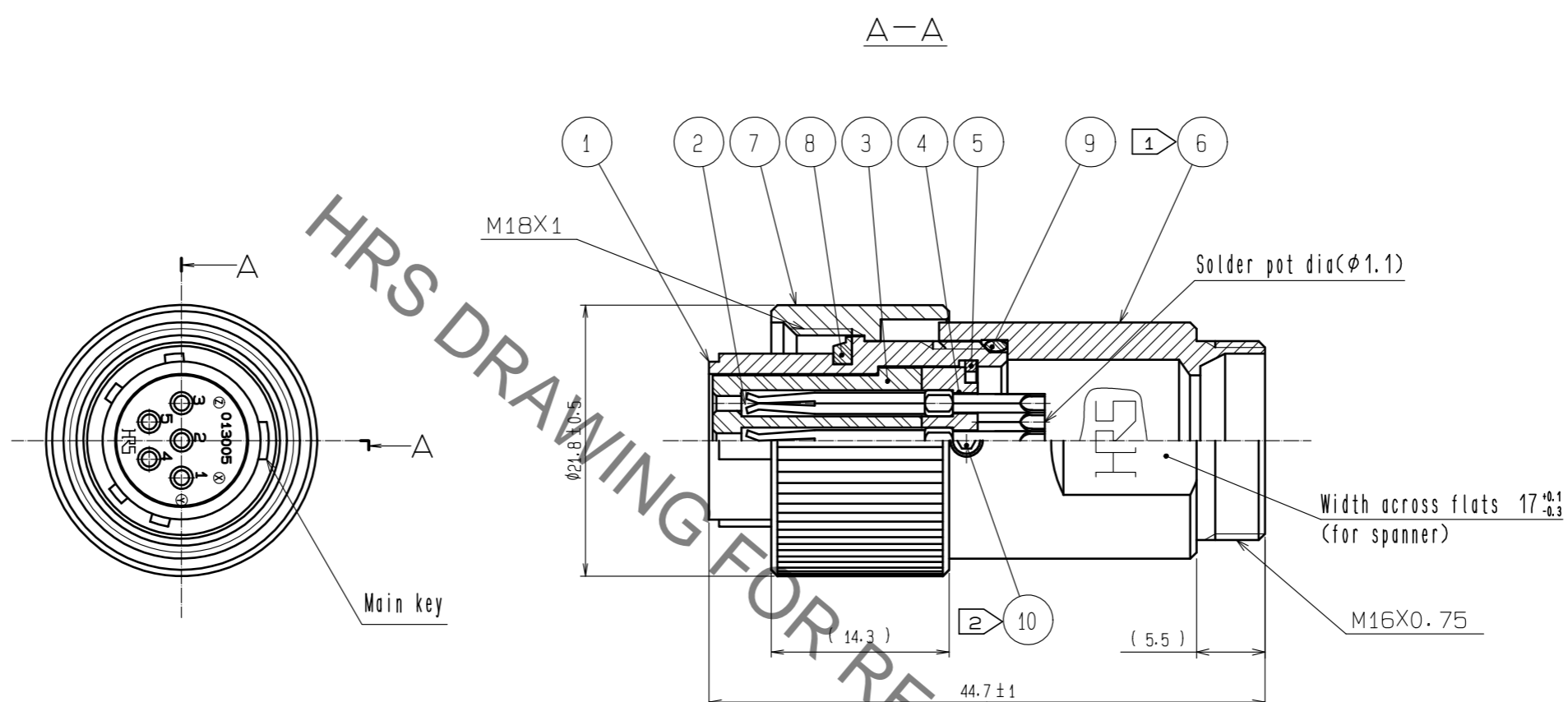


Jun.1.2021 Copyright 2021 HIROSE ELECTRIC CO., LTD. All Rights Reserved.
 In case of consideration for using Automotive equipment / device which demand high reliability, kindly contact our sales window correspondents.



- NOTES
- ① The recommended tightening torque of Ref No. ⑥ : 2 to 2.5 N·m.
 - ② The recommended tightening torque of Ref No. ⑩ : 0.2 to 0.25 N·m.
 - ③ One example of the rotation of REF. No. ⑥ to REF. No. ① is shown.
 - ④ LOCTITE 273 HENKEL JAPAN or equivalent is recommended to prevent REF. No. ①, ⑥ and ⑩ for loosening.
 - ⑤ This products to be used with cable clamp, JR13WCC-※(71)
 ※Designate diameter(mm) of applicable cable.
 - ⑥ The cable pull and twisting strength, waterproof tightness and other characteristics may differ, depending on the cable structure.
 Please confirm before the use.

NO.	MATERIAL	FINISH . REMARKS	NO.	MATERIAL	FINISH . REMARKS
5	PHOSPHOR BRONZE	NICKEL PLATING	10	STAINLESS STEEL	HEX SOCKET SET SCREW HEX : 1.27
4	PHENOL FORMALDEHYDE	(BLACK) UL94V-0	9	SILICONE RUBBER	(BLACK)
3	PHENOL FORMALDEHYDE	(BLACK) UL94V-0	8	SILICONE RUBBER	(BLACK)
2	COPPER ALLOY	SILVER PLATING 2μm min	7	BRASS	BLACK CHROME PLATING
1	ALUMINUM ALLOY	BLACK CHROME PLATING	6	BRASS	BLACK CHROME PLATING

UNITS	SCALE	COUNT	DESCRIPTION OF REVISIONS	DESIGNED	CHECKED	DATE
mm	2 : 1	△				
APPROVED : SU. OBARA			15.08.07	DRAWING NO. EDC-110569-72-00		
CHECKED : HY. KOBAYASHI			15.08.07	PART NO. JR13WP-5S(72)		
DESIGNED : KN. IKEHARA			15.08.07	CODE NO. CL114-2013-4-72		
DRAWN : KN. IKEHARA			15.08.07			

X-ON Electronics

Largest Supplier of Electrical and Electronic Components

Click to view similar products for [Standard Circular Connector](#) category:

Click to view products by [Hirose](#) manufacturer:

Other Similar products are found below :

[5M2530B10P](#) [600259N006](#) [600273N007](#) [6134-336-13149](#) [6134-337-11149](#) [6134-337-2390](#) [6134-341-17149](#) [6280-4SG-516](#) [6280-7SG-3DC](#)
[6290](#) [6291A](#) [66200A-10](#) [680-SMG](#) [681-PMG](#) [CXS3102A14S2P](#) [CXS3102A181S](#) [7251-6SG-300](#) [7271-6SG-300](#) [7282-3PG-300-CH3](#) [75-](#)
[474014-05S](#) [75-474618-01S](#) [75-474618-04S](#) [799539-000](#) [MI8-SE](#) [805-005-07NF11-19PC](#) [805-005-07NF15-7PA](#) [8280-4PG-516](#) [8280-7PG-](#)
[519](#) [8282-5PG-519](#) [836783-1](#) [MP-4102-25P-C](#) [862256-1](#) [864019-2](#) [866857-1](#) [867865-1](#) [PT01SP-14-18P](#) [PT08P-14-5S](#) [PTSF06SE-14-12S](#)
[120-1833-000](#) [QCM019PC2DC012B](#) [1-2069279-1](#) [121583-0217](#) [121667-0020](#) [129591AU](#) [1000B BULK](#) [RD10A16-19-P6CS051/1](#)
[RD10A20-31-P8CS051/1](#) [RD16A14-12-S6CS051/2](#) [1301240290](#) [1301240347](#) [1301860202](#)