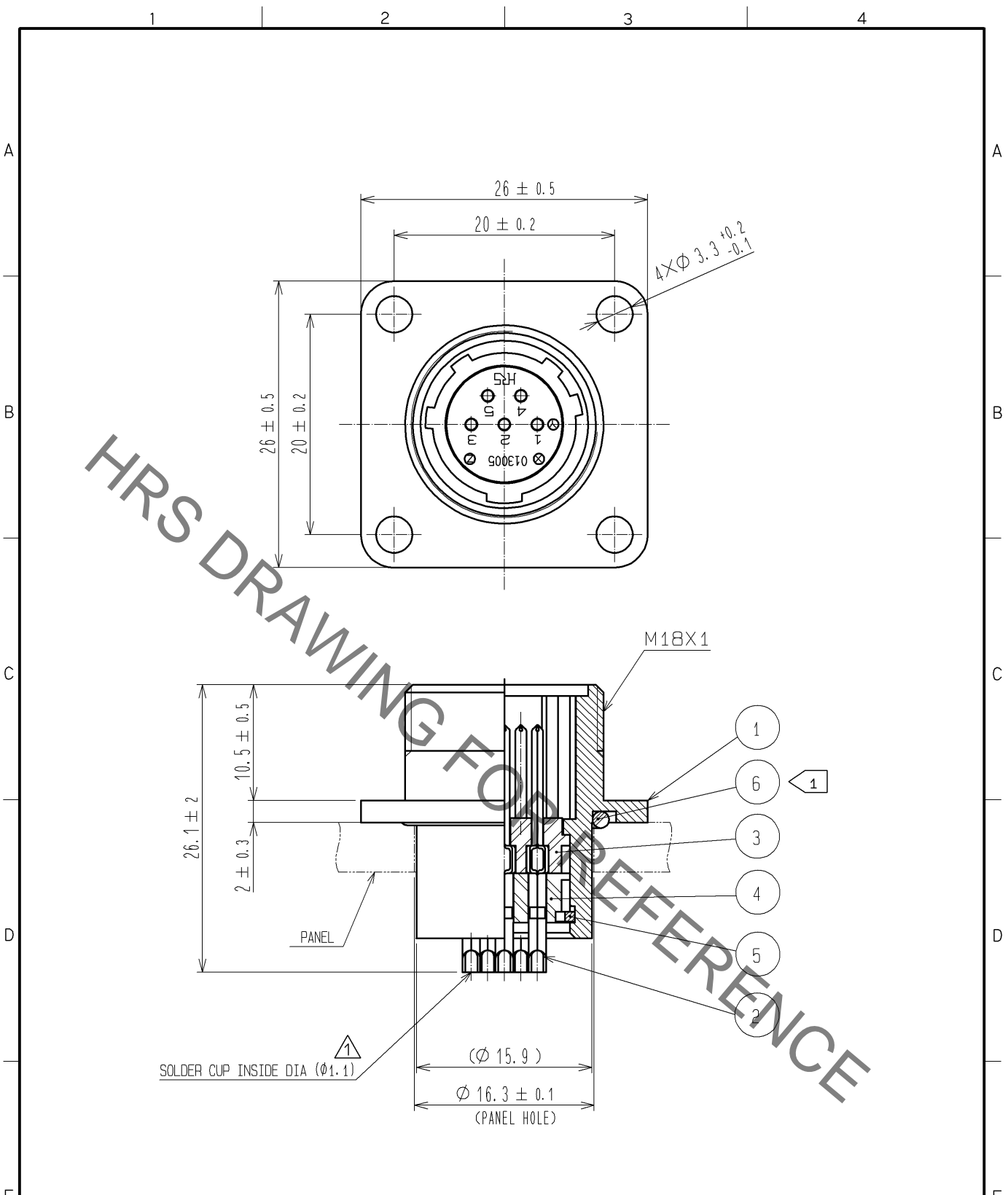


Sep.1.2021 Copyright 2021 HIROSE ELECTRIC CO., LTD. All Rights Reserved.  
In case of consideration for using Automotive equipment / device which demand high reliability, kindly contact our sales window correspondents.



NOTE ① WHEN MOUNTED ON CHASSIS, BE CAREFUL THAT REFERENCE NO. ⑥ IS FITTED INTO THE INDICATED GROOVE WITHOUT ANY BITING.

3	PHENOL-FORMALDEHYDE	(BLACK)	UL94V-0	6	SILICONE RUBBER	(BLACK)
2	COPPER ALLOY	SILVER PLATING	3μm min	5	PHOSPHOR BRONZE	NICKEL PLATING
1	ALUMINUM ALLOY	BLACK CHROME PLATING		4	PHENOL-FORMALDEHYDE	(BLACK) UL94V-0
NO.	MATERIAL	FINISH	REMARKS	NO.	MATERIAL	FINISH

UNITS mm		SCALE 2 : 1	COUNT 1	DESCRIPTION OF REVISIONS DIS-C-003192	DESIGNED HT. ZENBA	CHECKED EJ. KUNII	DATE 13. 08. 29
HIROSE ELECTRIC CO., LTD. APPROVED : EJ. KUNII 13. 03. 07 CHECKED : EJ. KUNII 13. 03. 07 DESIGNED : HY. KISHI 13. 03. 07 DRAWN : HY. KISHI 13. 03. 07				DRAWING NO. EDC4-110578-72 PART NO. JR13WR-5P(72) CODE NO. CL114-2024-0-72			

## X-ON Electronics

Largest Supplier of Electrical and Electronic Components

*Click to view similar products for [Standard Circular Connector](#) category:*

*Click to view products by [Hirose](#) manufacturer:*

Other Similar products are found below :

[5M2530B10P](#) [600259N006](#) [600273N007](#) [6134-336-13149](#) [6134-337-11149](#) [6134-337-2390](#) [6134-341-17149](#) [6280-4SG-516](#) [6280-7SG-3DC](#)  
[6290](#) [6291A](#) [66200A-10](#) [680-SMG](#) [681-PMG](#) [CXS3102A14S2P](#) [CXS3102A181S](#) [7251-6SG-300](#) [7271-6SG-300](#) [7282-3PG-300-CH3](#) [75-](#)  
[474014-05S](#) [75-474618-01S](#) [75-474618-04S](#) [799539-000](#) [MI8-SE](#) [805-005-07NF11-19PC](#) [805-005-07NF15-7PA](#) [8280-4PG-516](#) [8280-7PG-](#)  
[519](#) [8282-5PG-519](#) [836783-1](#) [MP-4102-25P-C](#) [862256-1](#) [864019-2](#) [866857-1](#) [867865-1](#) [PT01SP-14-18P](#) [PT08P-14-5S](#) [PTSF06SE-14-12S](#)  
[120-1833-000](#) [QCM019PC2DC012B](#) [1-2069279-1](#) [121583-0217](#) [121667-0020](#) [129591AU](#) [1000B BULK](#) [RD10A16-19-P6CS051/1](#)  
[RD10A20-31-P8CS051/1](#) [RD16A14-12-S6CS051/2](#) [1301240290](#) [1301240347](#) [1301860202](#)