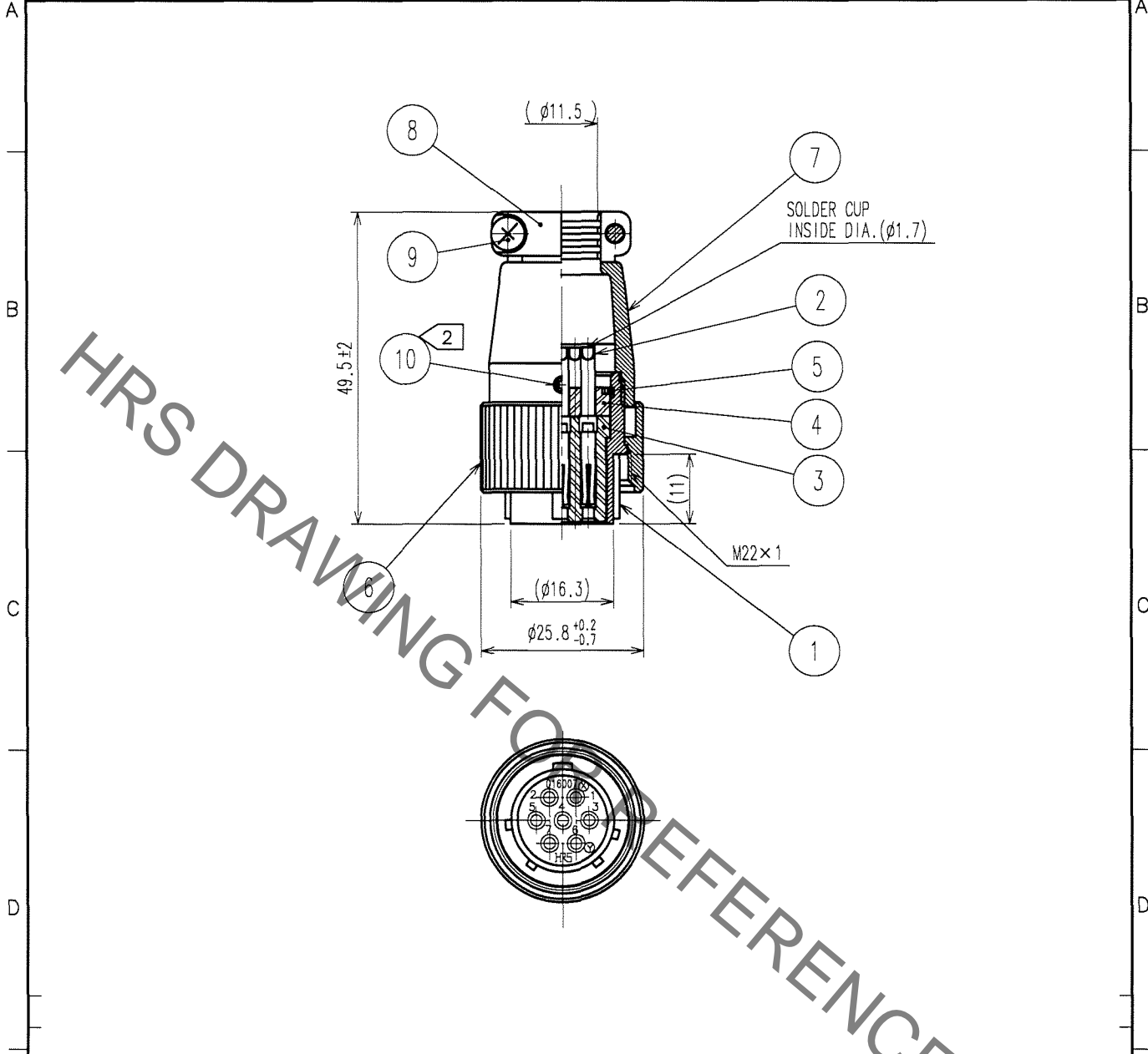


Sep.1.2021 Copyright 2021 HIROSE ELECTRIC CO., LTD. All Rights Reserved. In case of consideration for using Automotive equipment / device which demand high reliability, kindly contact our sales window correspondents.

| 1 | | 2 | | | 3 | | | 4 | | |
|-------|--------------------------|----|------|------|-------|--------------------------|----|------|------|--|
| COUNT | DESCRIPTION OF REVISIONS | BY | CHKD | DATE | COUNT | DESCRIPTION OF REVISIONS | BY | CHKD | DATE | |
| △ | | | | . . | △ | | | | . . | |
| △ | | | | . . | △ | | | | . . | |
| △ | | | | . . | △ | | | | . . | |



NOTES 1. ROTATION EXAMPLES OF REF. NO. ① AND ⑦ ARE SHOWN.
 ② ACROSS FLATS OF HEAGON HEAD OF REF. NO. ⑩ TO BE 1.27mm.

| 5 | PHOSPHOR BRONZE | NICKEL PLATING | 10 | STEEL | NICKEL PLATING, HEX SOCKET SET SCREW M2.6×0.45×2 |
|-----|---------------------|----------------------------|-----|----------------|--|
| 4 | PHENOL FORMALDEHYDE | (BLACK) UL94V-0 | 9 | BRASS | NICKEL PLATING M3×0.5×8 |
| 3 | PHENOL FORMALDEHYDE | (BLACK) UL94V-0 | 8 | ALUMINUM ALLOY | MATTE FINISH NICKEL PLATED |
| 2 | COPPER ALLOY | SILVER PLATING, 2μm min | 7 | ALUMINUM ALLOY | MATTE FINISH NICKEL PLATED |
| 1 | ALUMINUM ALLOY | MATTE FINISH NICKEL PLATED | 6 | ALUMINUM ALLOY | MATTE FINISH NICKEL PLATED |
| NO. | MATERIAL | FINISH, REMARKS | NO. | MATERIAL | FINISH, REMARKS |

| | | | | | | |
|-------------------------------|--|-----------------------------|-----------------|---------|----------------|----------|
| CODE NO. (OLD) | | DRAWN | DESIGNED | CHECKED | APPROVED | RELEASED |
| | | <i>T. Nozue</i> | <i>E. Kunii</i> | / | <i>M. Sato</i> | |
| | | 06.3.26 | 06.03.26 | . . | 06.03.27 | |
| DRAWING NO. EDC4-024137-71 | | PART NO. JR16PK-7S(71) | | | | |
| SCALE 1 : 1 | | CODE NO. CL114-0511-0-71 | | | | |
| UNITS mm | | 1/1 | | | | |

| |
|----|
| TO |
| R |
| |
| |
| |

X-ON Electronics

Largest Supplier of Electrical and Electronic Components

Click to view similar products for [Standard Circular Connector](#) category:

Click to view products by [Hirose](#) manufacturer:

Other Similar products are found below :

[5M2530B10P](#) [600259N006](#) [600273N007](#) [6134-336-13149](#) [6134-337-11149](#) [6134-337-2390](#) [6134-341-17149](#) [6280-4SG-516](#) [6280-7SG-3DC](#)
[6290](#) [6291A](#) [66200A-10](#) [680-SMG](#) [681-PMG](#) [CXS3102A14S2P](#) [CXS3102A181S](#) [7251-6SG-300](#) [7271-6SG-300](#) [7282-3PG-300-CH3](#) [75-](#)
[474014-05S](#) [75-474618-01S](#) [75-474618-04S](#) [799539-000](#) [MI8-SE](#) [805-005-07NF11-19PC](#) [805-005-07NF15-7PA](#) [8280-4PG-516](#) [8280-7PG-](#)
[519](#) [8282-5PG-519](#) [836783-1](#) [MP-4102-25P-C](#) [862256-1](#) [864019-2](#) [866857-1](#) [867865-1](#) [PT01SP-14-18P](#) [PT08P-14-5S](#) [PTSF06SE-14-12S](#)
[120-1833-000](#) [QCM019PC2DC012B](#) [1-2069279-1](#) [121583-0217](#) [121667-0020](#) [129591AU](#) [1000B BULK](#) [RD10A16-19-P6CS051/1](#)
[RD10A20-31-P8CS051/1](#) [RD16A14-12-S6CS051/2](#) [1301240290](#) [1301240347](#) [1301860202](#)