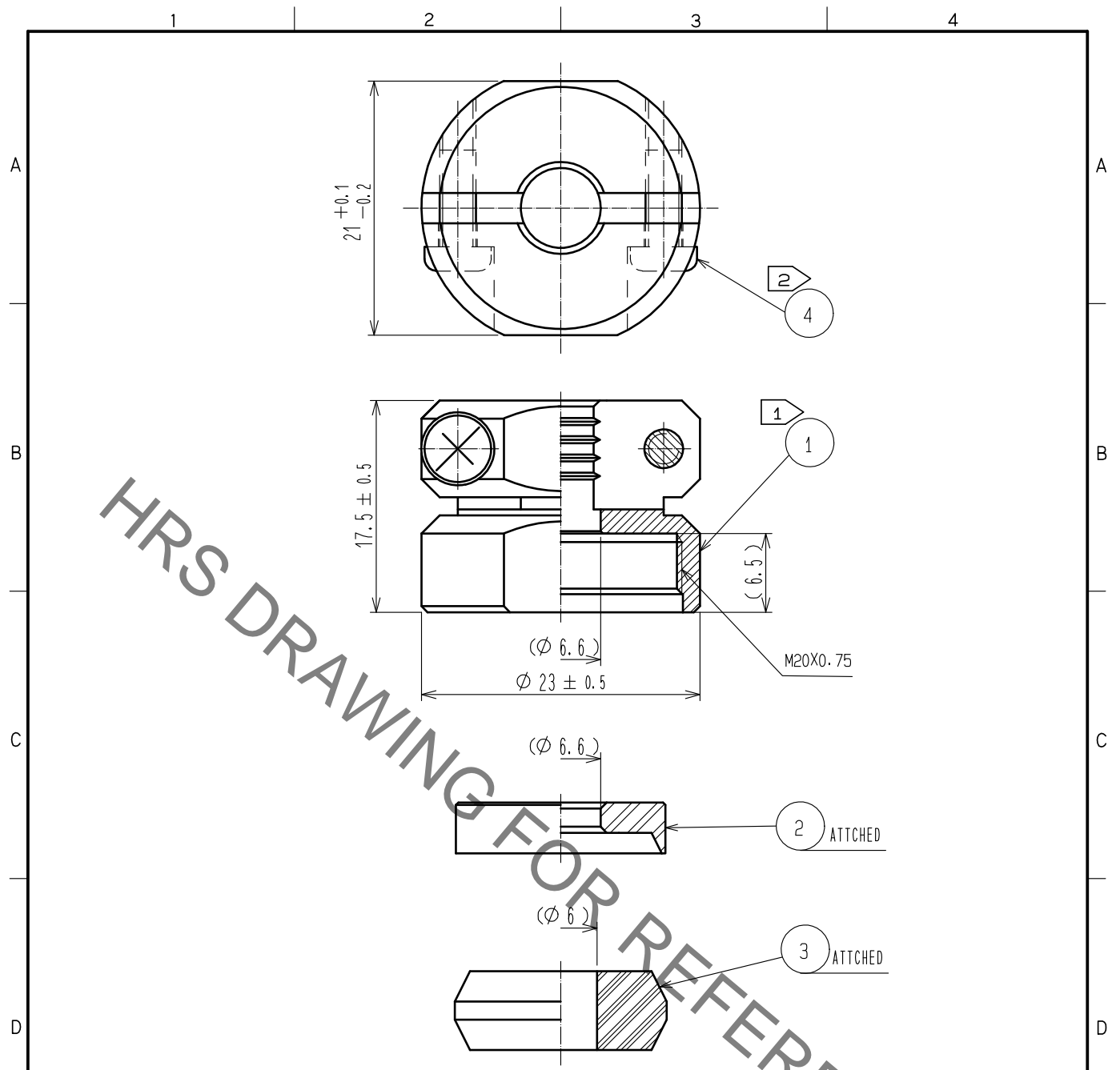


Sep.1.2021 Copyright 2021 HIROSE ELECTRIC CO., LTD. All Rights Reserved.  
 In case of consideration for using Automotive equipment / device which demand high reliability, kindly contact our sales window correspondents.



HRS DRAWING FOR REFERENCE

- Notes
- ① The recommended clamp torque of REF. No. ① to be 3 to 3.5 N·m. LOCTITE 263, HENKEL JAPAN or equivalent is recommended to prevent REF. No. ① from loosening.
  - ② The recommended clamp torque of REF. No. ④ to be 0.65 to 0.7 N·m.
  - ③ Sealing and airtightness and oil resisting shall be tested under mated condition with an applicable connector.

2	POLYPHENYLENE SULFIDE	(BLACK) UL94V-0	4	STAINLESS STEEL	M3×0.5×8
1	BRASS	BLACK CHROME PLATING	3	ACRYLONITRILE BUTADIENE RUBBER	(GRAY)
NO.	MATERIAL	FINISH . REMARKS	NO.	MATERIAL	FINISH . REMARKS
UNITS mm		SCALE 2 : 1	COUNT 	DESCRIPTION OF REVISIONS	DESIGNED
HIROSE ELECTRIC CO., LTD.		APPROVED :HY. KOBAYASHI	15.08.05	DRAWING NO.	EDC-110601-71-00
		CHECKED :HY. KOBAYASHI	15.08.05	PART NO.	JR16WCC-6(71)
		DESIGNED :HY. KISHI	15.08.05	CODE NO.	CL114-2053-9-71
		DRAWN :HY. KISHI	15.08.05	1/1	

## X-ON Electronics

Largest Supplier of Electrical and Electronic Components

*Click to view similar products for [Standard Circular Connector](#) category:*

*Click to view products by [Hirose](#) manufacturer:*

Other Similar products are found below :

[5M2530B10P](#) [600259N006](#) [600273N007](#) [6134-336-13149](#) [6134-337-11149](#) [6134-337-2390](#) [6134-341-17149](#) [6280-4SG-516](#) [6280-7SG-3DC](#)  
[6290](#) [6291A](#) [66200A-10](#) [680-SMG](#) [681-PMG](#) [CXS3102A14S2P](#) [CXS3102A181S](#) [7251-6SG-300](#) [7271-6SG-300](#) [7282-3PG-300-CH3](#) [75-](#)  
[474014-05S](#) [75-474618-01S](#) [75-474618-04S](#) [799539-000](#) [MI8-SE](#) [805-005-07NF11-19PC](#) [805-005-07NF15-7PA](#) [8280-4PG-516](#) [8280-7PG-](#)  
[519](#) [8282-5PG-519](#) [836783-1](#) [MP-4102-25P-C](#) [862256-1](#) [864019-2](#) [866857-1](#) [867865-1](#) [PT01SP-14-18P](#) [PT08P-14-5S](#) [PTSF06SE-14-12S](#)  
[120-1833-000](#) [QCM019PC2DC012B](#) [1-2069279-1](#) [121583-0217](#) [121667-0020](#) [129591AU](#) [1000B BULK](#) [RD10A16-19-P6CS051/1](#)  
[RD10A20-31-P8CS051/1](#) [RD16A14-12-S6CS051/2](#) [1301240290](#) [1301240347](#) [1301860202](#)