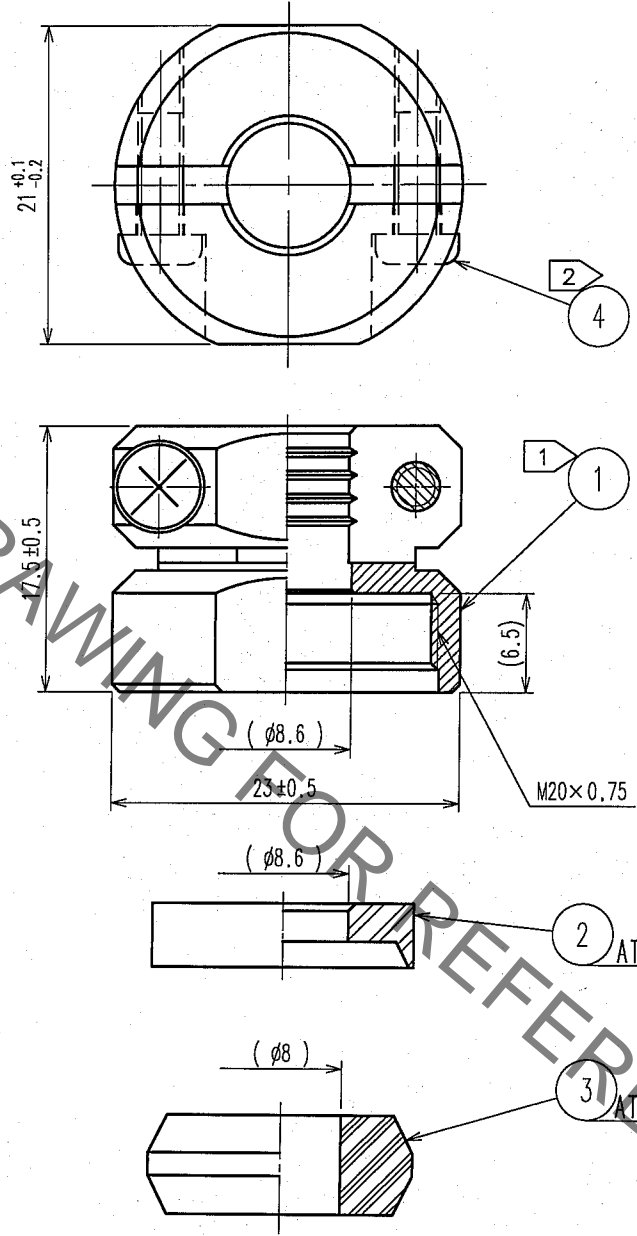


Sep.1.2021 Copyright 2021 HIROSE ELECTRIC CO., LTD. All Rights Reserved.
In case of consideration for using Automotive equipment / device which demand high reliability, kindly contact our sales window correspondents.

| 1 | | | | | 2 | | | | | 3 | | | | | 4 | | | | |
|-------|--------------------------|--|--|--|----|------|------|-------|--------------------------|---|--|--|----|------|------|--|--|--|--|
| COUNT | DESCRIPTION OF REVISIONS | | | | BY | CHKD | DATE | COUNT | DESCRIPTION OF REVISIONS | | | | BY | CHKD | DATE | | | | |
| △ | | | | | | | | △ | | | | | | | | | | | |
| △ | | | | | | | | △ | | | | | | | | | | | |
| △ | | | | | | | | △ | | | | | | | | | | | |



- ① THE RECOMMENDED CLAMP TRQUE OF REF.① TO BE 3 TO 3.5 N · m
LOCTITE 271, HENKEL JAPAN OR EQUIVALENT IS RECOMMENDND TO PREVENT
REF, NO. ① FROM LOOSENING.
- ② THE RECOMMENDED CLAMP TRQUE OF REF.② TO BE 0.65 TO 0.7 N · m

| 2 | PPS | (BLACK) UL94V-0 | 4 | STAINLESS STEEL | M3x0.5x8 |
|-----|----------|----------------------|-----|-----------------|-----------------|
| 1 | BRASS | BLACK CHROME PLATING | 3 | NBR | (GRAY) |
| NO. | MATERIAL | FINISH, REMARKS | NO. | MATERIAL | FINISH, REMARKS |

| | | | | | |
|----------------|----------|-----------|----------|----------|----------|
| CODE NO. (OLD) | DRAWN | DESIGNED | CHECKED | APPROVED | RELEASED |
| | J. Nori | H. Nagano | E. Kunii | M. Sato | |
| | 05.12.20 | 05.12.20 | 05.12.20 | 05.12.21 | |

| | | |
|-----------------------------------|-------------------------------|-----------------------------|
| SCALE 2 : 1 UNITS mm | DRAWING NO. EDC4-110602-71 | PART NO. JR16WCC-8(71) |
| | HIROSE ELECTRIC CO., LTD. | CODE NO. CL114-2054-1-71 |

In case of consideration for using Automotive equipment / device which demand high reliability, kindly contact our sales window correspondents.

X-ON Electronics

Largest Supplier of Electrical and Electronic Components

Click to view similar products for [Standard Circular Connector](#) category:

Click to view products by [Hirose](#) manufacturer:

Other Similar products are found below :

[5M2530B10P](#) [600259N006](#) [600273N007](#) [6134-336-13149](#) [6134-337-11149](#) [6134-337-2390](#) [6134-341-17149](#) [6280-4SG-516](#) [6280-7SG-3DC](#)
[6290](#) [6291A](#) [66200A-10](#) [680-SMG](#) [681-PMG](#) [CXS3102A14S2P](#) [CXS3102A181S](#) [7251-6SG-300](#) [7271-6SG-300](#) [7282-3PG-300-CH3](#) [75-](#)
[474014-05S](#) [75-474618-01S](#) [75-474618-04S](#) [799539-000](#) [MI8-SE](#) [805-005-07NF11-19PC](#) [805-005-07NF15-7PA](#) [8280-4PG-516](#) [8280-7PG-](#)
[519](#) [8282-5PG-519](#) [836783-1](#) [MP-4102-25P-C](#) [862256-1](#) [864019-2](#) [866857-1](#) [867865-1](#) [PT01SP-14-18P](#) [PT08P-14-5S](#) [PTSF06SE-14-12S](#)
[120-1833-000](#) [QCM019PC2DC012B](#) [1-2069279-1](#) [121583-0217](#) [121667-0020](#) [129591AU](#) [1000B BULK](#) [RD10A16-19-P6CS051/1](#)
[RD10A20-31-P8CS051/1](#) [RD16A14-12-S6CS051/2](#) [1301240290](#) [1301240347](#) [1301860202](#)