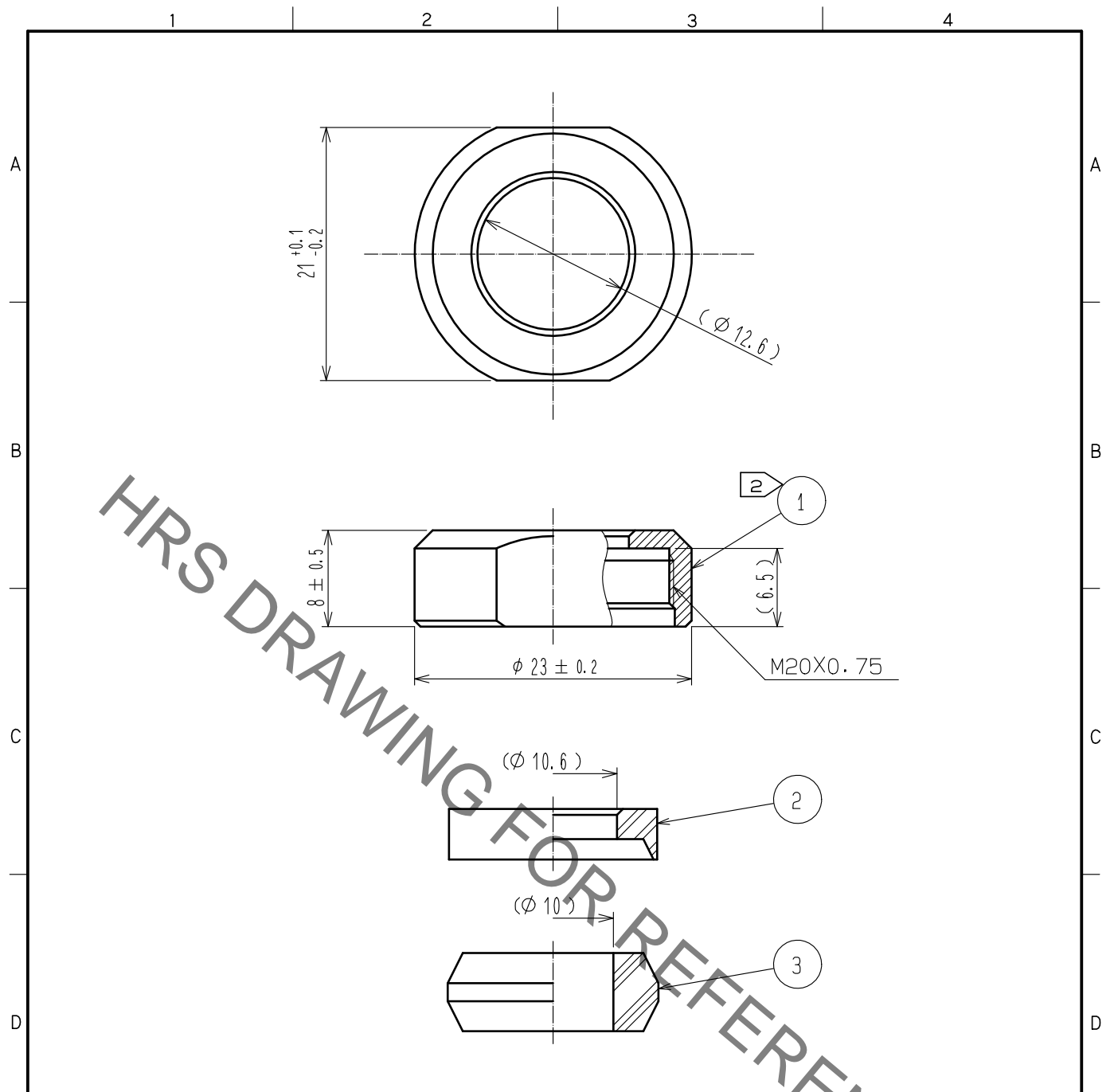


Sep.1.2021 Copyright 2021 HIROSE ELECTRIC CO., LTD. All Rights Reserved.  
In case of consideration for using Automotive equipment / device which demand high reliability, kindly contact our sales window correspondents.



- Notes
- 1 This product is delivered disassembled.
  - 2 The recommended clamp torque of REF. No. ① to be 3 to 3.5N·m  
Loctite 263, HENKEL JAPAN or equivalent is recommended  
to prevent REF. No. ① from loosening.
  - 3 The cable pull and twisting strength and other characteristics  
may differ, depending on the cable structure.  
Please confirm before the use.

2	PPS	(Black) UL94V-0				
1	Brass	Black chrome plating	3	Acrylonitrile butadiene rubber	(Gray)	
NO.	MATERIAL	FINISH . REMARKS	NO.	MATERIAL	FINISH . REMARKS	
UNITS mm		SCALE 2 : 1	COUNT 	DESCRIPTION OF REVISIONS		DESIGNED
HIROSE ELECTRIC CO., LTD.		APPROVED	·HY. KOBAYASHI	15.08.27	DRAWING NO.	EDC-110489-71-00
		CHECKED	·HY. KOBAYASHI	15.08.27	PART NO.	JR16WCCA-10(71)
		DESIGNED	·HY. KISHI	15.08.27	CODE NO.	CL114-2079-2-71
		DRAWN	·HY. KISHI	15.08.27		

## X-ON Electronics

Largest Supplier of Electrical and Electronic Components

*Click to view similar products for [Standard Circular Connector](#) category:*

*Click to view products by [Hirose](#) manufacturer:*

Other Similar products are found below :

[5M2530B10P](#) [600259N006](#) [600273N007](#) [6134-336-13149](#) [6134-337-11149](#) [6134-337-2390](#) [6134-341-17149](#) [6280-4SG-516](#) [6280-7SG-3DC](#)  
[6290](#) [6291A](#) [66200A-10](#) [680-SMG](#) [681-PMG](#) [CXS3102A14S2P](#) [CXS3102A181S](#) [7251-6SG-300](#) [7271-6SG-300](#) [7282-3PG-300-CH3](#) [75-](#)  
[474014-05S](#) [75-474618-01S](#) [75-474618-04P](#) [75-474618-04S](#) [799539-000](#) [MI8-SE](#) [805-005-07NF11-19PC](#) [805-005-07NF15-7PA](#) [8280-4PG-](#)  
[516](#) [8280-7PG-519](#) [8282-5PG-519](#) [836783-1](#) [MP-4102-25P-C](#) [862256-1](#) [864019-2](#) [866857-1](#) [867865-1](#) [PT01SP-14-18P](#) [PT08P-14-5S](#) [120-](#)  
[1833-000](#) [QCM019PC2DC012B](#) [1-2069279-1](#) [121583-0217](#) [121667-0020](#) [129591AU](#) [1000B BULK](#) [RD10A16-19-P6CS051/1](#) [RD10A20-31-](#)  
[P8CS051/1](#) [RD16A14-12-S6CS051/2](#) [1301240290](#) [1301240347](#) [1301860202](#)