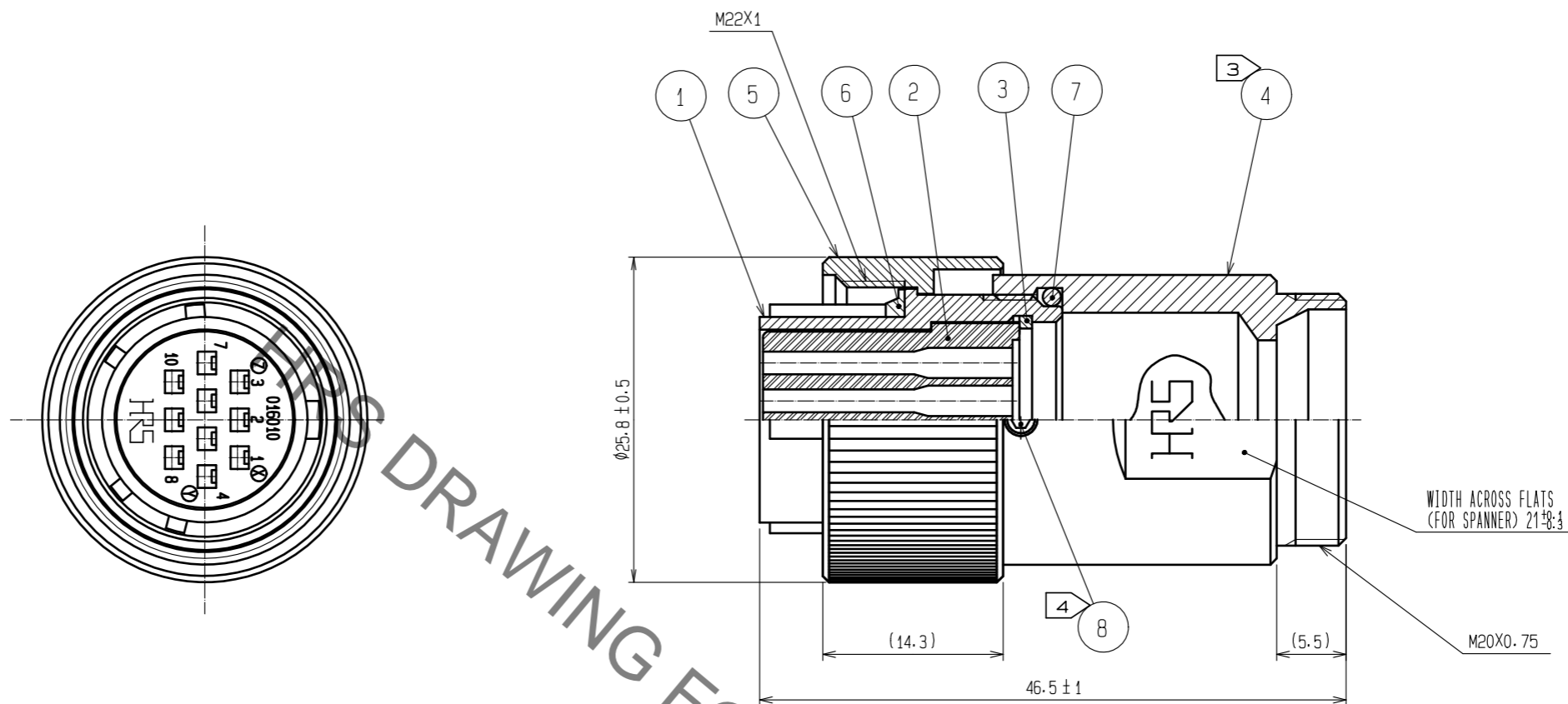


Sep.1.2021 Copyright 2021 HIROSE ELECTRIC CO., LTD. All Rights Reserved.
In case of consideration for using Automotive equipment / device which demand high reliability, kindly contact our sales window correspondents.



- NOTES 1 APPLICABLE CRIMP CONTACT: JRC-SC2-212(AWG#20 TO 24)
JRC-SC2-222(AWG#24 TO 28)
- 2 APPLICABLE CONTACT REMOVAL TOOL(EXTRACTION TOOL): RM-TP
- ③ THE RECOMMENDED CLAMP TORQUE, REF. NO. ④: 3 TO 3.5N · m.
- ④ THE RECOMMENDED CLAMP TORQUE, REF. NO. ⑧: 0.2 TO 0.25N · m.
AND LOCTITE 263, HENKEL JAPAN OR EQUIVALENT IS RECOMMENDED TO PREVENT FROM LOOSENING.
- 5 ONE EXAMPLE OF THE ROTATION OF REF. NO. ④ TO REF. NO. ① IS SHOWN.
- 6 THIS PRODUCT TO BE USED WITH CABLECLAMP, JR16WCC-※.
※ DESIGNATE DIAMETER OF APPLICABLE CABLE.
- 7 THE CABLE PULL AND TWISTING STRENGTH AND OTHER CHARACTERISTICS MAY DIFFER, DEPENDING ON THE CABLE STRUCTURE.
PLEASE CONFIRM BEFORE THE USE.

4	BRASS	BLACK CHROME PLATING	8	STAINLESS STEEL				
3	PHOSPHOR BRONZE	NICKEL PLATING	7	ACRYLONITRILE BUTADIENE RUBBER	(BLACK)			
2	POLYCARBONATE	(BLACK) UL94V-0	6	ACRYLONITRILE BUTADIENE RUBBER	(BLACK)			
1	ALUMINUM ALLOY	BLACK CHROME PLATING	5	BRASS	BLACK CHROME PLATING			
NO.	MATERIAL	FINISH . REMARKS	NO.	MATERIAL	FINISH . REMARKS			
UNITS mm			SCALE 2 : 1	COUNT 	DESCRIPTION OF REVISIONS	DESIGNED	CHECKED	DATE
HRS HIROSE ELECTRIC CO., LTD.		APPROVED : HY. KOBAYASHI	18.02.26	DRAWING NO. EDC-110655-31-00				
		CHECKED : HY. KOBAYASHI	18.02.26	PART NO. JR16WP-10SC(31)				
		DESIGNED : TH. KAMEYA	18.02.24	CODE NO. CL114-2122-0-31				
		DRAWN : MK. INOUE	18.02.14					

X-ON Electronics

Largest Supplier of Electrical and Electronic Components

Click to view similar products for [Standard Circular Connector](#) category:

Click to view products by [Hirose](#) manufacturer:

Other Similar products are found below :

[5M2530B10P](#) [600259N006](#) [600273N007](#) [6134-336-13149](#) [6134-337-11149](#) [6134-337-2390](#) [6134-341-17149](#) [6280-4SG-516](#) [6280-7SG-3DC](#)
[6290](#) [6291A](#) [66200A-10](#) [680-SMG](#) [681-PMG](#) [CXS3102A14S2P](#) [CXS3102A181S](#) [7251-6SG-300](#) [7271-6SG-300](#) [7282-3PG-300-CH3](#) [75-](#)
[474014-05S](#) [75-474618-01S](#) [75-474618-04S](#) [799539-000](#) [MI8-SE](#) [805-005-07NF11-19PC](#) [805-005-07NF15-7PA](#) [8280-4PG-516](#) [8280-7PG-](#)
[519](#) [8282-5PG-519](#) [836783-1](#) [MP-4102-25P-C](#) [862256-1](#) [864019-2](#) [866857-1](#) [867865-1](#) [PT01SP-14-18P](#) [PT08P-14-5S](#) [PTSF06SE-14-12S](#)
[120-1833-000](#) [QCM019PC2DC012B](#) [1-2069279-1](#) [121583-0217](#) [121667-0020](#) [129591AU](#) [1000B BULK](#) [RD10A16-19-P6CS051/1](#)
[RD10A20-31-P8CS051/1](#) [RD16A14-12-S6CS051/2](#) [1301240290](#) [1301240347](#) [1301860202](#)