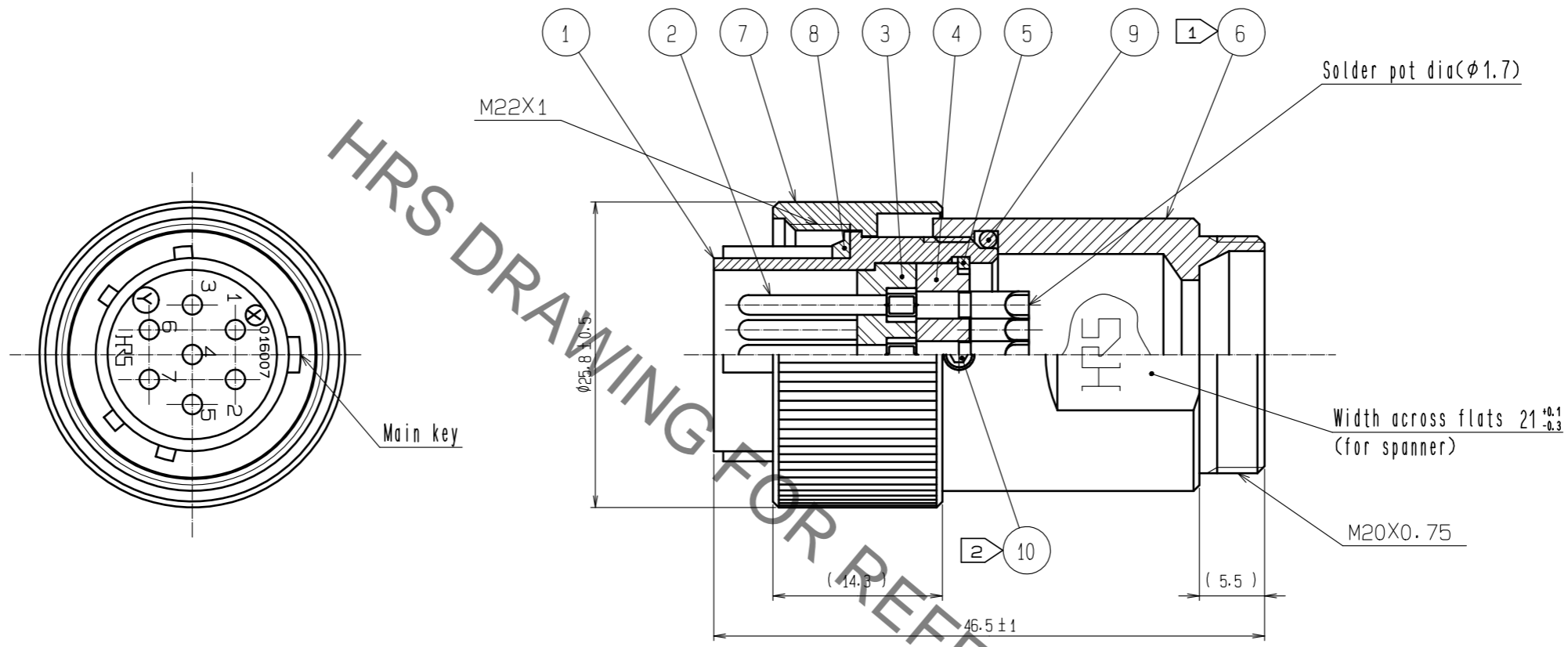


Sep.1.2021 Copyright 2021 HIROSE ELECTRIC CO., LTD. All Rights Reserved.
In case of consideration for using Automotive equipment / device which demand high reliability, kindly contact our sales window correspondents.



- NOTES
- ① The recommended tightening torque of Ref No. ⑥ : 3 to 3.5 N·m.
 - ② The recommended tightening torque of Ref No. ⑩ : 0.2 to 0.25 N·m.
 - 3 One example of the rotation of REF. No. ⑥ to REF. No. ① is shown.
 - 4 LOCTITE 263 HENKEL JAPAN or equivalent is recommended to prevent REF. No. ①, ⑥ and ⑩ for loosening.
 - 5 This products to be used with cable clamp, JR16WCC-※
※Designate diameter(mm) of applicable cable.
 - 6 The cable pull and twisting strength, waterproof tightness and other characteristics may differ, depending on the cable structure.
Please confirm before the use.

5	PHOSPHOR BRONZE	NICKEL PLATING	10	STAINLESS STEEL	HEX SOCKET SET SCREW HEX : 1.27
4	PHENOL FORMALDEHYDE	(BLACK) UL94V-0	9	ACRYLONITRILE BUTADIENE RUBBER	(BLACK)
3	PHENOL FORMALDEHYDE	(BLACK) UL94V-0	8	ACRYLONITRILE BUTADIENE RUBBER	(BLACK)
2	COPPER ALLOY	SILVER PLATING 3μm min	7	BRASS	BLACK CHROME PLATING
1	ALUMINUM ALLOY	BLACK CHROME PLATING	6	BRASS	BLACK CHROME PLATING
NO.	MATERIAL	FINISH . REMARKS	NO.	MATERIAL	FINISH . REMARKS
UNITS mm		SCALE 2 : 1	COUNT	DESCRIPTION OF REVISIONS	
				DESIGNED	CHECKED
HIROSE ELECTRIC CO., LTD.		APPROVED : HY. KOBAYASHI 18.02.26 CHECKED : HY. KOBAYASHI 18.02.26 DESIGNED : TH. KAMEYA 18.02.22 DRAWN : MK. INOUE 18.02.13	DRAWING NO. EDC-110460-31-00 PART NO. JR16WP-7P(31) CODE NO. CL114-2003-0-31	DATE 	

X-ON Electronics

Largest Supplier of Electrical and Electronic Components

Click to view similar products for [Standard Circular Connector](#) category:

Click to view products by [Hirose](#) manufacturer:

Other Similar products are found below :

[5M2530B10P](#) [600259N006](#) [600273N007](#) [6134-336-13149](#) [6134-337-11149](#) [6134-337-2390](#) [6134-341-17149](#) [6280-4SG-516](#) [6280-7SG-3DC](#)
[6290](#) [6291A](#) [66200A-10](#) [680-SMG](#) [681-PMG](#) [CXS3102A14S2P](#) [CXS3102A181S](#) [7251-6SG-300](#) [7271-6SG-300](#) [7282-3PG-300-CH3](#) [75-](#)
[474014-05S](#) [75-474618-01S](#) [75-474618-04P](#) [75-474618-04S](#) [799539-000](#) [MI8-SE](#) [805-005-07NF11-19PC](#) [805-005-07NF15-7PA](#) [8280-4PG-](#)
[516](#) [8280-7PG-519](#) [8282-5PG-519](#) [836783-1](#) [MP-4102-25P-C](#) [862256-1](#) [864019-2](#) [866857-1](#) [867865-1](#) [PT01SP-14-18P](#) [PT08P-14-5S](#) [120-](#)
[1833-000](#) [QCM019PC2DC012B](#) [1-2069279-1](#) [121583-0217](#) [121667-0020](#) [129591AU](#) [1000B BULK](#) [RD10A16-19-P6CS051/1](#) [RD10A20-31-](#)
[P8CS051/1](#) [RD16A14-12-S6CS051/2](#) [1301240290](#) [1301240347](#) [1301860202](#)