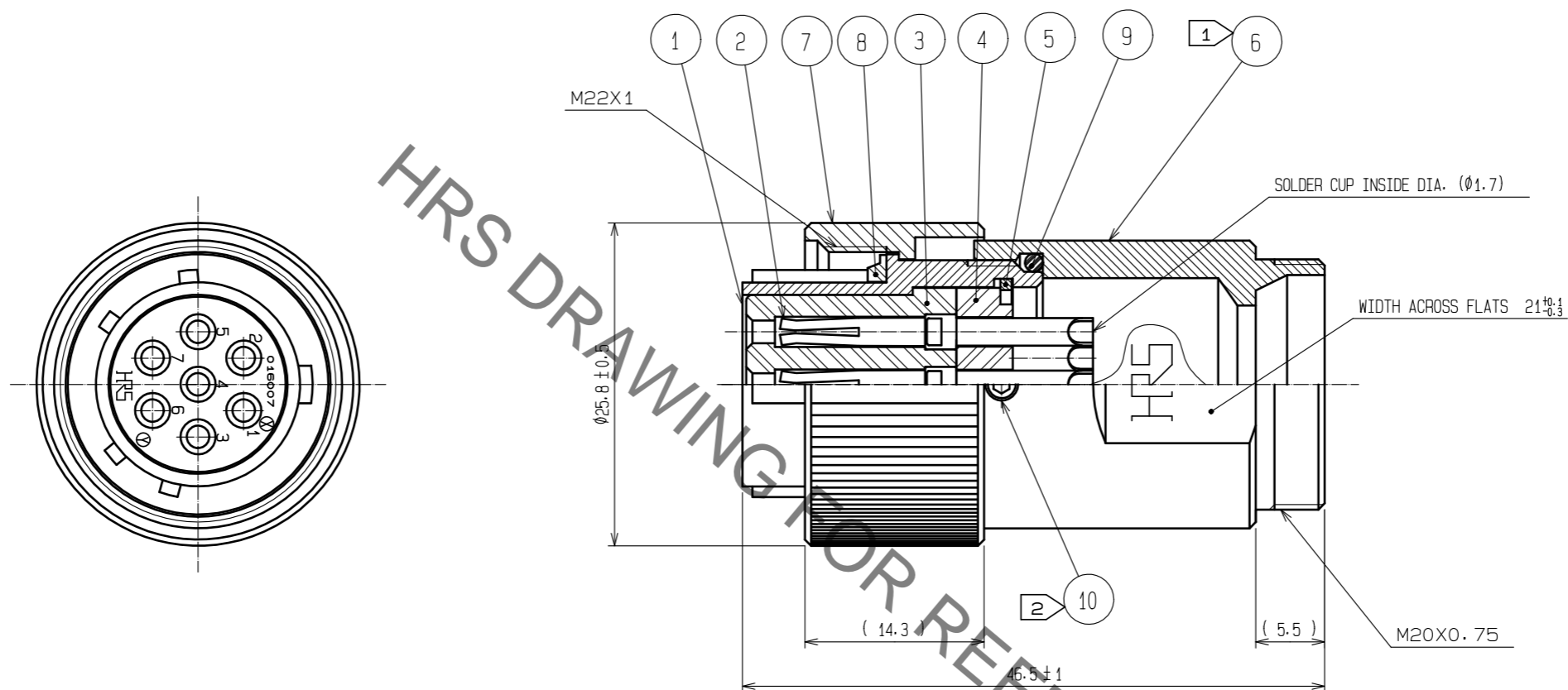


Sep.1.2021 Copyright 2021 HIROSE ELECTRIC CO., LTD. All Rights Reserved.
In case of consideration for using Automotive equipment / device which demand high reliability, kindly contact our sales window correspondents.



- NOTES
- ① THE RECOMMENDED CLAMP TORQUE OF REF.NO. ⑥ TO BE 3 TO 3.5 N·m.
 - ② THE RECOMMENDED CLAMP TORQUE OF REF.NO. ⑩ TO BE 0.2 TO 0.25 N·m.
LOCTITE 243·HENKEL JAPAN OR EQUIVALENT IS RECOMMENDED TO PREVENT REF.NO. ⑩ FROM LOOSENING.
 - 3 ROTATION EXAMPLES OF REF. NOS. ① AND ⑥ ARE SHOWN.
 - 4 THIS PRODUCT TO BE USED WITH CABLECLAMP, JR16WCC-*.
* DESIGNATE DIAMETER OF APPLICABLE CABLE.
 - 5 THE CABLE PULL AND TWISTING STRENGTH AND OTHER CHARACTERISTICS MAY DIFFER, DEPENDING ON THE CABLE STRUCTURE.
PLEASE CONFIRM BEFORE THE USE.

| 5 | PHOSPHOR BRONZE | NICKEL PLATING | 10 | STAINLESS STEEL | HEX 1.27 | | | |
|----------------------------------|---------------------|--------------------------|----------|--------------------------------|----------------------|----------|---------|------|
| 4 | PHENOL-FORMALDEHYDE | (BLACK) UL94V-0 | 9 | ACRYLONITRILE BUTADIENE RUBBER | (BLACK) | | | |
| 3 | PHENOL-FORMALDEHYDE | (BLACK) UL94V-0 | 8 | ACRYLONITRILE BUTADIENE RUBBER | (BLACK) | | | |
| 2 | COPPER ALLOY | SILVER PLATING 2μm min. | 7 | BRASS | BLACK CHROME PLATING | | | |
| 1 | ALUMINUM ALLOY | BLACK CHROME PLATING | 6 | BRASS | BLACK CHROME PLATING | | | |
| NO. | MATERIAL | FINISH . REMARKS | NO. | MATERIAL | FINISH . REMARKS | | | |
| UNITS mm | | SCALE 2 : 1 | COUNT | DESCRIPTION OF REVISIONS | | DESIGNED | CHECKED | DATE |
| HIROSE ELECTRIC CO., LTD. | | APPROVED : HY. KOBAYASHI | 18.02.26 | DRAWING NO. EDC-110570-31-00 | | | | |
| | | CHECKED : HY. KOBAYASHI | 18.02.26 | PART NO. JR16WP-7S(31) | | | | |
| | | DESIGNED : TH. KAMEYA | 18.02.23 | CODE NO. CL114-2014-7-31 | | | | |
| | | DRAWN : TH. KAMEYA | 18.02.23 | | | | | |

X-ON Electronics

Largest Supplier of Electrical and Electronic Components

Click to view similar products for [Standard Circular Connector](#) category:

Click to view products by [Hirose](#) manufacturer:

Other Similar products are found below :

[5M2530B10P](#) [600259N006](#) [600273N007](#) [6134-336-13149](#) [6134-337-11149](#) [6134-337-2390](#) [6134-341-17149](#) [6280-4SG-516](#) [6280-7SG-3DC](#)
[6290](#) [6291A](#) [66200A-10](#) [680-SMG](#) [681-PMG](#) [CXS3102A14S2P](#) [CXS3102A181S](#) [7251-6SG-300](#) [7271-6SG-300](#) [7282-3PG-300-CH3](#) [75-](#)
[474014-05S](#) [75-474618-01S](#) [75-474618-04S](#) [799539-000](#) [MI8-SE](#) [805-005-07NF11-19PC](#) [805-005-07NF15-7PA](#) [8280-4PG-516](#) [8280-7PG-](#)
[519](#) [8282-5PG-519](#) [836783-1](#) [MP-4102-25P-C](#) [862256-1](#) [864019-2](#) [866857-1](#) [867865-1](#) [PT01SP-14-18P](#) [PT08P-14-5S](#) [PTSF06SE-14-12S](#)
[120-1833-000](#) [QCM019PC2DC012B](#) [1-2069279-1](#) [121583-0217](#) [121667-0020](#) [129591AU](#) [1000B BULK](#) [RD10A16-19-P6CS051/1](#)
[RD10A20-31-P8CS051/1](#) [RD16A14-12-S6CS051/2](#) [1301240290](#) [1301240347](#) [1301860202](#)