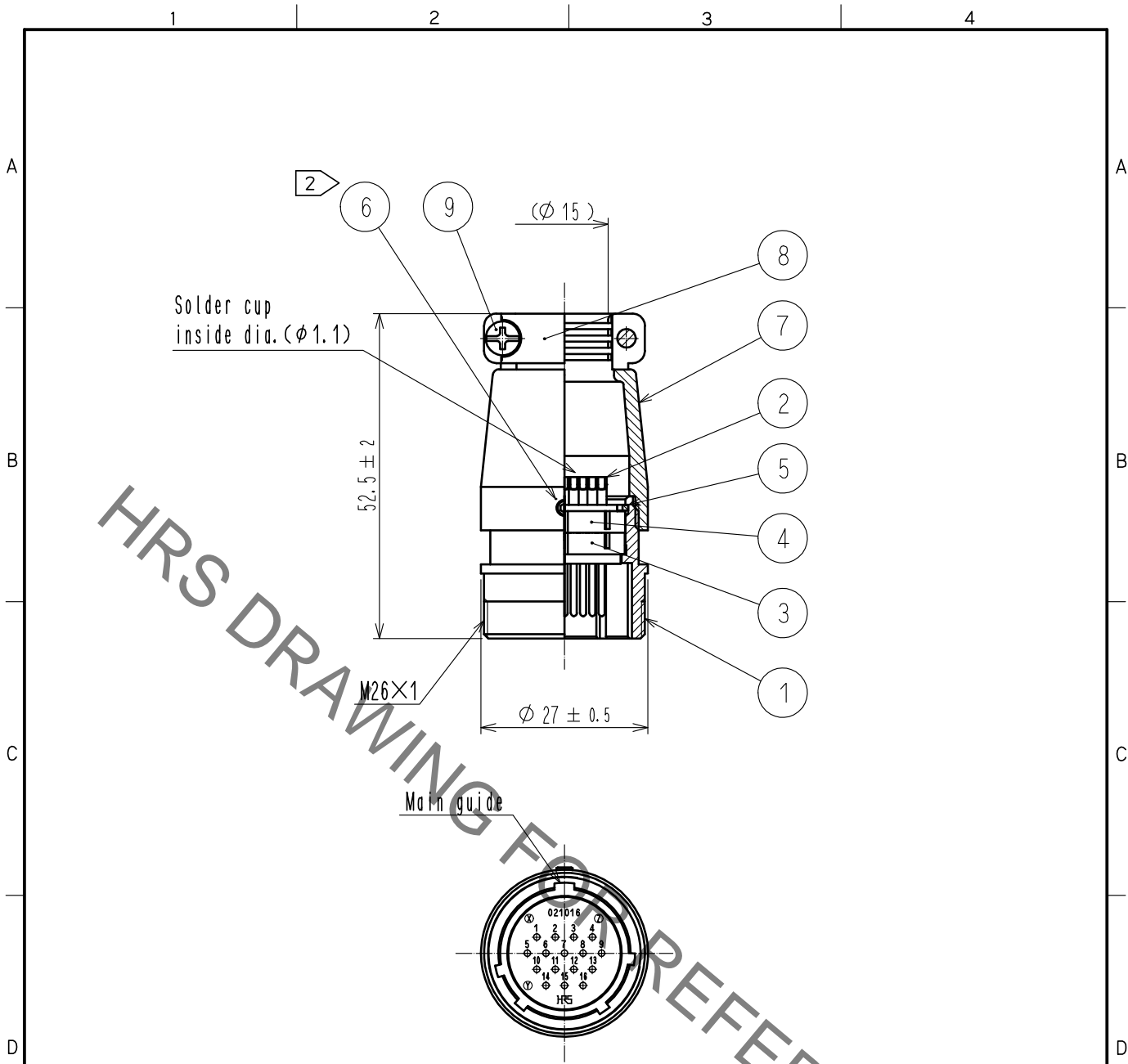


Sep.1.2021 Copyright 2021 HIROSE ELECTRIC CO., LTD. All Rights Reserved.  
 In case of consideration for using Automotive equipment / device which demand high reliability, kindly contact our sales window correspondents.



Notes 1. Rotation examples of ref. no. ① and ⑦ are shown.  
 2. Across flats of hexagon head of ref. no. ⑥ to be 1.27mm.

5	Phosphor bronze	Nickel plating			
4	Phenol formaldehyde	(Black), UL94V-0	9	Brass	Nickel plating, M3×0.5×10
3	Phenol formaldehyde	(Black), UL94V-0	8	Aluminum alloy	Matte finish nickel plated
2	Copper alloy	Silver plating	7	Aluminum alloy	Matte finish nickel plated
1	Aluminum alloy	Matte finish nickel plated	6	Steel	Nickel plating Hex socket screw M2.6×0.45×2
NO.	MATERIAL	FINISH, REMARKS	NO.	MATERIAL	FINISH, REMARKS

UNITS mm	SCALE 1 : 1	COUNT	DESCRIPTION OF REVISIONS	DESIGNED	CHECKED	DATE
<b>HRS</b> HIROSE ELECTRIC CO., LTD.			APPROVED :EJ. KUNII 16.03.03 CHECKED :EJ. KUNII 16.03.03 DESIGNED :TY. TAKAHASHI 16.03.03 DRAWN :TY. TAKAHASHI 16.03.03	DRAWING NO. EDC-025485-00-00 PART NO. JR21JK-16P CODE NO. CL114-0538-7-00	1/1	

## X-ON Electronics

Largest Supplier of Electrical and Electronic Components

*Click to view similar products for [Standard Circular Connector](#) category:*

*Click to view products by [Hirose](#) manufacturer:*

Other Similar products are found below :

[5M2530B10P](#) [600259N006](#) [600273N007](#) [6134-336-13149](#) [6134-337-11149](#) [6134-337-2390](#) [6134-341-17149](#) [6280-4SG-516](#) [6280-7SG-3DC](#)  
[6290](#) [6291A](#) [66200A-10](#) [680-SMG](#) [681-PMG](#) [CXS3102A14S2P](#) [CXS3102A181S](#) [7251-6SG-300](#) [7271-6SG-300](#) [7282-3PG-300-CH3](#) [75-](#)  
[474014-05S](#) [75-474618-01S](#) [75-474618-04S](#) [799539-000](#) [MI8-SE](#) [805-005-07NF11-19PC](#) [805-005-07NF15-7PA](#) [8280-4PG-516](#) [8280-7PG-](#)  
[519](#) [8282-5PG-519](#) [836783-1](#) [MP-4102-25P-C](#) [862256-1](#) [864019-2](#) [866857-1](#) [867865-1](#) [PT01SP-14-18P](#) [PT08P-14-5S](#) [PTSF06SE-14-12S](#)  
[120-1833-000](#) [QCM019PC2DC012B](#) [1-2069279-1](#) [121583-0217](#) [121667-0020](#) [129591AU](#) [1000B BULK](#) [RD10A16-19-P6CS051/1](#)  
[RD10A20-31-P8CS051/1](#) [RD16A14-12-S6CS051/2](#) [1301240290](#) [1301240347](#) [1301860202](#)