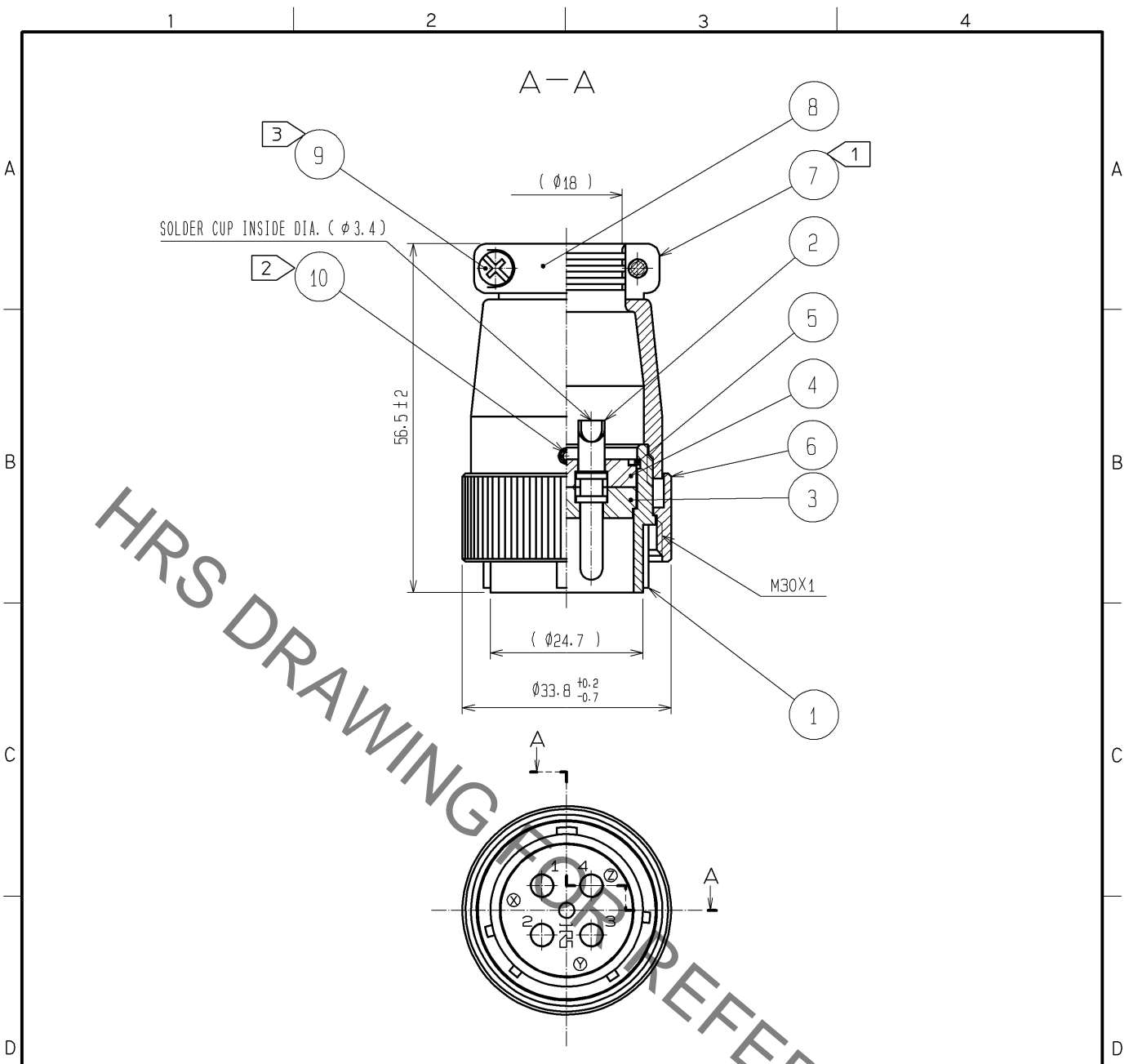


Sep.1.2021 Copyright 2021 HIROSE ELECTRIC CO., LTD. All Rights Reserved.
In case of consideration for using Automotive equipment / device which demand high reliability, kindly contact our sales window correspondents.



- NOTES
- ① THE RECOMMENDED TIGHTENING TORQUE OF REF. NO. ⑦ SHALL BE 5 TO 5.5N · m.
 - ② THE RECOMMENDED TIGHTENING TORQUE OF REF. NO. ⑩ SHALL BE 0.3 TO 0.4N · m.
 - ③ THE RECOMMENDED TIGHTENING TORQUE OF REF. NO. ⑨ SHALL BE 0.5 TO 0.6N · m.
 - 4 LOCTITE 263, HENKEL JAPAN OR EQUIVALENT IS RECOMMENDED TO PREVENT REF. NO. ①, ⑨ AND ⑩ FROM LOOSENING.
 - 5 ONE EXAMPLE OF THE ROTATION OF REF. NO. ⑦ TO REF. NO. ① AND THE SOLDER CUP OF REF. NO. ② ARE SHOWN.
 - 6 THE CABLE PULL AND TWISTING STRENGTH AND OTHER CHARACTERISTICS MAY DIFFER, DEPENDING ON THE CABLE STRUCTURE, PLEASE CONFIRM BEFORE THE USE.

5	PHOSPHOR BRONZE	NICKEL PLATING	10	STEEL	NICKEL PLATING HEX:1.27
4	POLYPHENYLENE SULFIDE	(BLACK) UL94V-0	9	BRASS	NICKEL PLATING M3×0.5×10
3	POLYPHENYLENE SULFIDE	(BLACK) UL94V-0	8	ALUMINUM ALLOY	MATTE FINISH NICKEL PLATED
2	BRASS	SILVER PLATING 2μm min.	7	ALUMINUM ALLOY	MATTE FINISH NICKEL PLATED
1	ALUMINUM ALLOY	MATTE FINISH NICKEL PLATED	6	ALUMINUM ALLOY	MATTE FINISH NICKEL PLATED
NO.	MATERIAL	FINISH , REMARKS	NO.	MATERIAL	FINISH , REMARKS

UNITS mm	SCALE 1 : 1	COUNT	DESCRIPTION OF REVISIONS	DESIGNED	CHECKED	DATE
HRS HIROSE ELECTRIC CO., LTD.			APPROVED : EJ. KUNII 13. 04. 05 CHECKED : HY. KISHI 13. 04. 05 DESIGNED : HK. NAMAI 13. 04. 05 DRAWN : HK. NAMAI 13. 04. 05	DRAWING NO. EDC4-118215-00 PART NO. JR25PH-4P CODE NO. CL114-0626-2-00	1/1	

X-ON Electronics

Largest Supplier of Electrical and Electronic Components

Click to view similar products for [Standard Circular Connector](#) category:

Click to view products by [Hirose](#) manufacturer:

Other Similar products are found below :

[5M2530B10P](#) [600259N006](#) [600273N007](#) [6134-336-13149](#) [6134-337-11149](#) [6134-337-2390](#) [6134-341-17149](#) [6280-4SG-516](#) [6280-7SG-3DC](#)
[6290](#) [6291A](#) [66200A-10](#) [680-SMG](#) [681-PMG](#) [CXS3102A14S2P](#) [CXS3102A181S](#) [7251-6SG-300](#) [7271-6SG-300](#) [7282-3PG-300-CH3](#) [75-](#)
[474014-05S](#) [75-474618-01S](#) [75-474618-04S](#) [799539-000](#) [MI8-SE](#) [805-005-07NF11-19PC](#) [805-005-07NF15-7PA](#) [8280-4PG-516](#) [8280-7PG-](#)
[519](#) [8282-5PG-519](#) [836783-1](#) [MP-4102-25P-C](#) [862256-1](#) [864019-2](#) [866857-1](#) [867865-1](#) [PT01SP-14-18P](#) [PT08P-14-5S](#) [PTSF06SE-14-12S](#)
[120-1833-000](#) [QCM019PC2DC012B](#) [1-2069279-1](#) [121583-0217](#) [121667-0020](#) [129591AU](#) [1000B BULK](#) [RD10A16-19-P6CS051/1](#)
[RD10A20-31-P8CS051/1](#) [RD16A14-12-S6CS051/2](#) [1301240290](#) [1301240347](#) [1301860202](#)