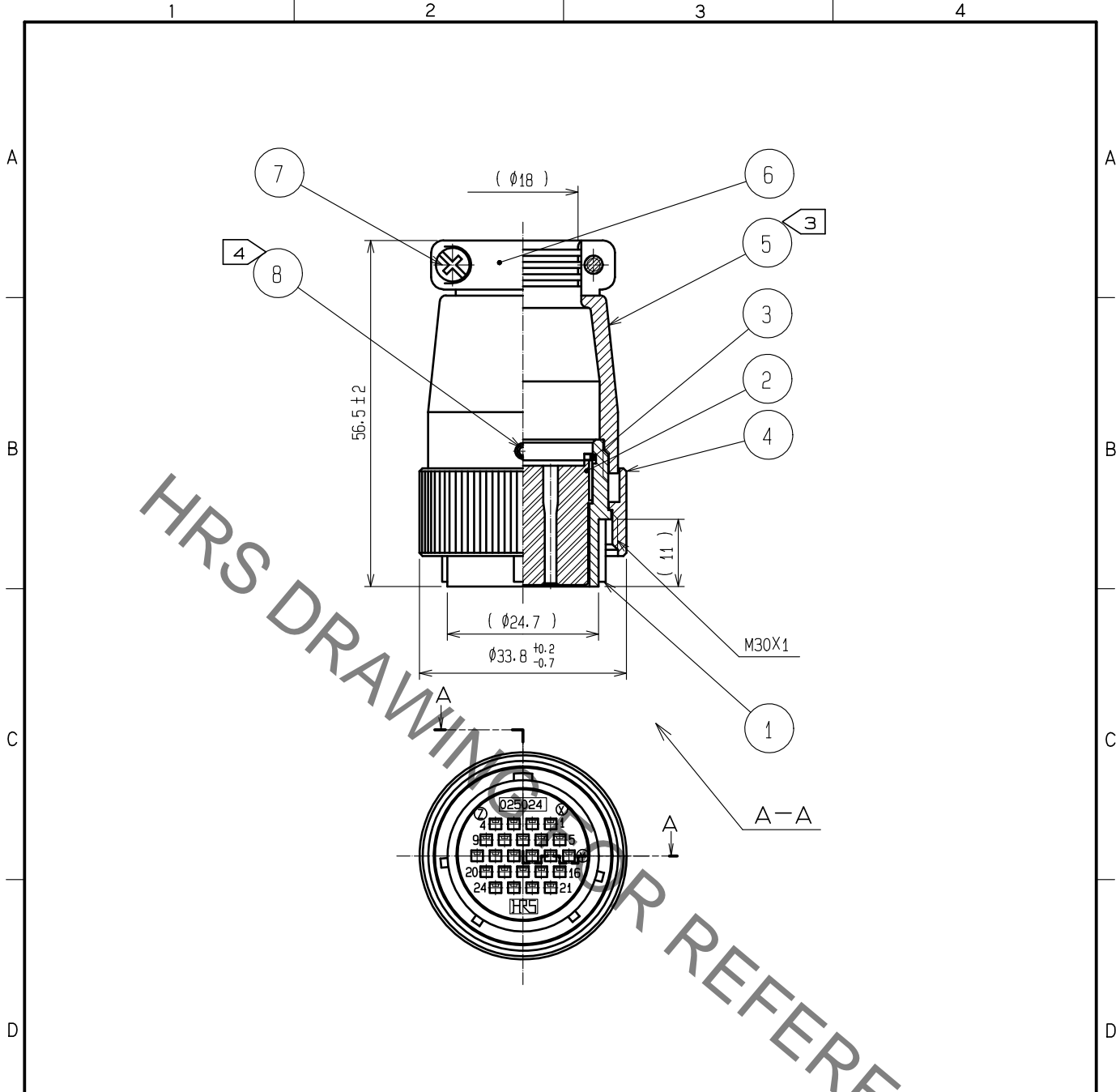


Aug.1.2021 Copyright 2021 HIROSE ELECTRIC CO., LTD. All Rights Reserved.
 In case of consideration for using Automotive equipment / device which demand high reliability, kindly contact our sales window correspondents.



- NOTES
1. APPLICABLE CRIMPING CONTACT : JRC-SC2-212 (AWG#24 TO 20)
 JRC-SC2-222 (AWG#28 TO 24)
 2. APPLICABLE CRIMP CONTACT EXTRACTION TOOL : RM-TP (CL150-0008-7)
 - ③ THE RECOMMENDED CLUMP TORQUE OF REF.NO.⑤ TO BE 5 TO 5.5N·m.
 - ④ ACROSS FLATS OF HEXAGON HEAD OF REF.NO.⑧ TO BE 1.27mm.
 THE RECOMMENDED CLUMP TORQUE OF REF.NO.⑧ TO BE 0.3 TO 0.4N·m.
 LOCTITE 243, HENKEL JAPAN IS RECOMMENDED TO PREVENT
 REF.NO.⑧ FROM LOOSENING.
 5. ROTATION EXAMPLES OF REF.NO.① AND ⑤ ARE SHOWN.
 6. THE CABLE PULL AND TWISTING AND OTHER CHARACTERISTICS
 MAY DIFFER, DEPENDING ON THE CABLE STRUCTURE.
 PLEASE CONFIRM BEFORE THE USE.

4	ALUMINUM ALLOY	MATTE FINISH NICKEL PLATED	8	STEEL	NICKEL PLATING. HEX SOCKET SET SCREW M2.6X0.45X2
3	PHOSPHOR BRONZE	NICKEL PLATING	7	BRASS	NICKEL PLATING M3X0.5X10
2	POLYCARBONATE	(BLACK) UL94V-0	6	ALUMINUM ALLOY	MATTE FINISH NICKEL PLATED
1	ALUMINUM ALLOY	MATTE FINISH NICKEL PLATED	5	ALUMINUM ALLOY	MATTE FINISH NICKEL PLATED
NO.	MATERIAL	FINISH . REMARKS	NO.	MATERIAL	FINISH . REMARKS

UNITS mm		SCALE 1 : 1	COUNT 	DESCRIPTION OF REVISIONS	DESIGNED	CHECKED	DATE
HIROSE ELECTRIC CO., LTD.		APPROVED : EJ. KUNII 16.01.25	DRAWING NO. EDC-029008-71-00				
		CHECKED : EJ. KUNII 16.01.25	PART NO. JR25PK-24SC(71)				
		DESIGNED : TY. TAKAHASHI 16.01.25	CODE NO. CL114-0575-3-71				
		DRAWN : TY. TAKAHASHI 16.01.25			1/1		

X-ON Electronics

Largest Supplier of Electrical and Electronic Components

Click to view similar products for [Standard Circular Connector](#) category:

Click to view products by [Hirose](#) manufacturer:

Other Similar products are found below :

[5M2530B10P](#) [600259N006](#) [600273N007](#) [6134-336-13149](#) [6134-337-11149](#) [6134-337-2390](#) [6134-341-17149](#) [6280-4SG-516](#) [6280-7SG-3DC](#)
[6290](#) [6291A](#) [66200A-10](#) [680-SMG](#) [681-PMG](#) [CXS3102A14S2P](#) [CXS3102A181S](#) [7251-6SG-300](#) [7271-6SG-300](#) [7282-3PG-300-CH3](#) [75-](#)
[474014-05S](#) [75-474618-01S](#) [75-474618-04S](#) [799539-000](#) [MI8-SE](#) [805-005-07NF11-19PC](#) [805-005-07NF15-7PA](#) [8280-4PG-516](#) [8280-7PG-](#)
[519](#) [8282-5PG-519](#) [836783-1](#) [MP-4102-25P-C](#) [862256-1](#) [864019-2](#) [866857-1](#) [867865-1](#) [PT01SP-14-18P](#) [PT08P-14-5S](#) [PTSF06SE-14-12S](#)
[120-1833-000](#) [QCM019PC2DC012B](#) [1-2069279-1](#) [121583-0217](#) [121667-0020](#) [129591AU](#) [1000B BULK](#) [RD10A16-19-P6CS051/1](#)
[RD10A20-31-P8CS051/1](#) [RD16A14-12-S6CS051/2](#) [1301240290](#) [1301240347](#) [1301860202](#)