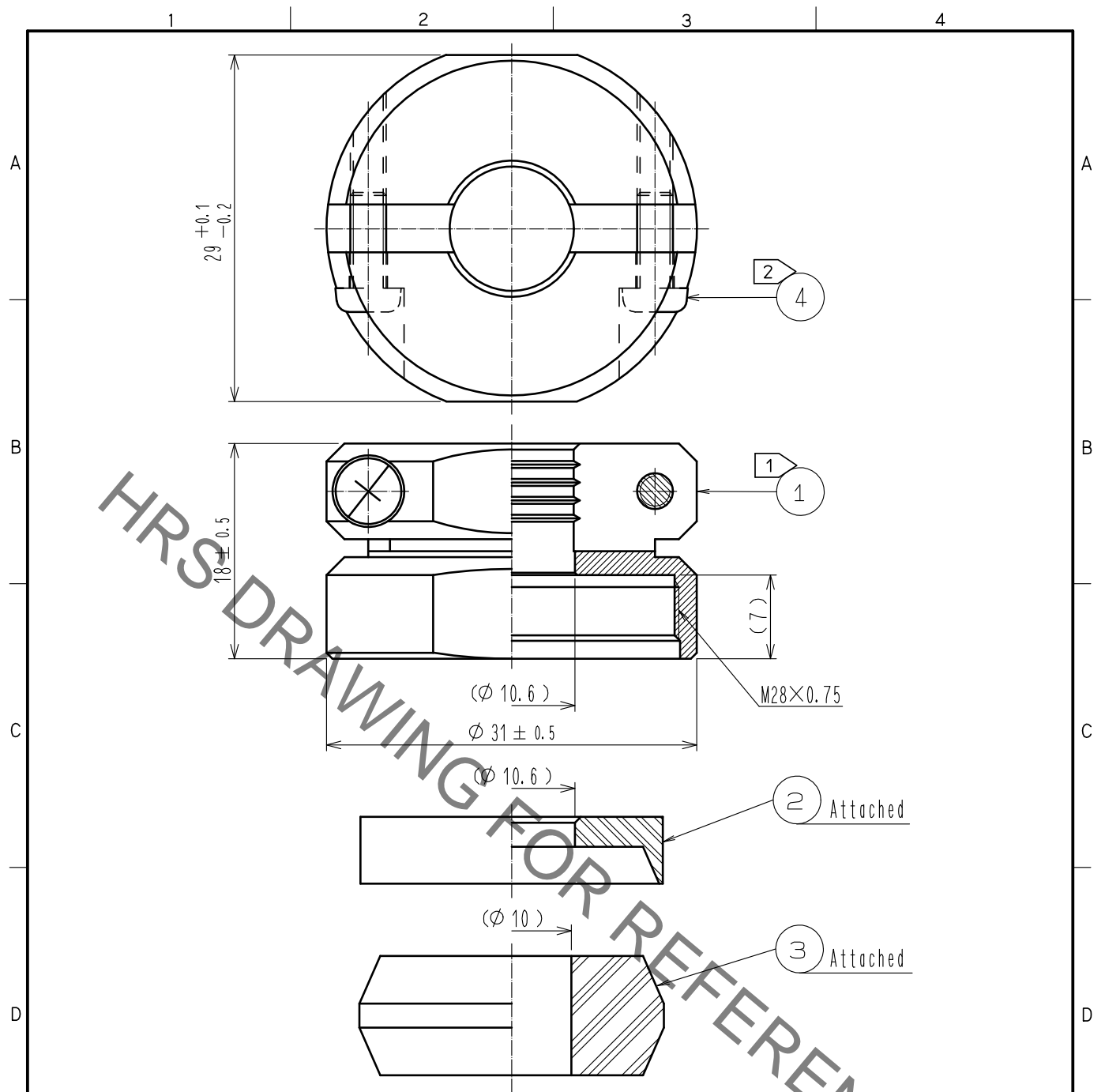


Aug.1.2021 Copyright 2021 HIROSE ELECTRIC CO., LTD. All Rights Reserved.  
 In case of consideration for using Automotive equipment / device which demand high reliability, kindly contact our sales window correspondents.



- Notes
- ① The recommended clamp torque of ref. No. ① : 5 to 5.5 N · m .  
 LOCTITE 263, HENKEL JAPAN or equevalent is recommended to prevent  
 ref. No. ① from loosening.
  - ② The recommended clamp torque of ref. No. ④ to be 0.65 to 0.7 N · m .
  3. The cable pull and twisting strength, waterproof tightness and other characteristics  
 may differ, depending on the cable structure. Please confirm before the use.

2	PPS	(Black) UL94V-0	4	Stainless steel	M3×0.5×8		
1	Brass	Black chrome plating	3	Silicone rubber	(Black)		
NO.	MATERIAL	FINISH . REMARKS	NO.	MATERIAL	FINISH . REMARKS		
UNITS mm		SCALE 2 : 1	COUNT 	DESCRIPTION OF REVISIONS	DESIGNED	CHECKED	DATE
HIROSE ELECTRIC CO., LTD.	APPROVED	·HY. KOBAYASHI	15. 09. 10	DRAWING NO.	EDC-110614-72-72		
	CHECKED	·HY. KOBAYASHI	15. 09. 10	PART NO.	JR25WCC-10(72)		
	DESIGNED	·TH. KAMEYA	15. 09. 09	CODE NO.	CL114-2064-5-72		1/1
	DRAWN	·TH. KAMEYA	15. 09. 09				

## X-ON Electronics

Largest Supplier of Electrical and Electronic Components

*Click to view similar products for [Standard Circular Connector](#) category:*

*Click to view products by [Hirose](#) manufacturer:*

Other Similar products are found below :

[5M2530B10P](#) [600259N006](#) [600273N007](#) [6134-336-13149](#) [6134-337-11149](#) [6134-337-2390](#) [6134-341-17149](#) [6280-4SG-516](#) [6280-7SG-3DC](#)  
[6290](#) [6291A](#) [66200A-10](#) [680-SMG](#) [681-PMG](#) [CXS3102A14S2P](#) [CXS3102A181S](#) [7251-6SG-300](#) [7271-6SG-300](#) [7282-3PG-300-CH3](#) [75-](#)  
[474014-05S](#) [75-474618-01S](#) [75-474618-04S](#) [799539-000](#) [MI8-SE](#) [805-005-07NF11-19PC](#) [805-005-07NF15-7PA](#) [8280-4PG-516](#) [8280-7PG-](#)  
[519](#) [8282-5PG-519](#) [836783-1](#) [MP-4102-25P-C](#) [862256-1](#) [864019-2](#) [866857-1](#) [867865-1](#) [PT01SP-14-18P](#) [PT08P-14-5S](#) [PTSF06SE-14-12S](#)  
[120-1833-000](#) [QCM019PC2DC012B](#) [1-2069279-1](#) [121583-0217](#) [121667-0020](#) [129591AU](#) [1000B BULK](#) [RD10A16-19-P6CS051/1](#)  
[RD10A20-31-P8CS051/1](#) [RD16A14-12-S6CS051/2](#) [1301240290](#) [1301240347](#) [1301860202](#)