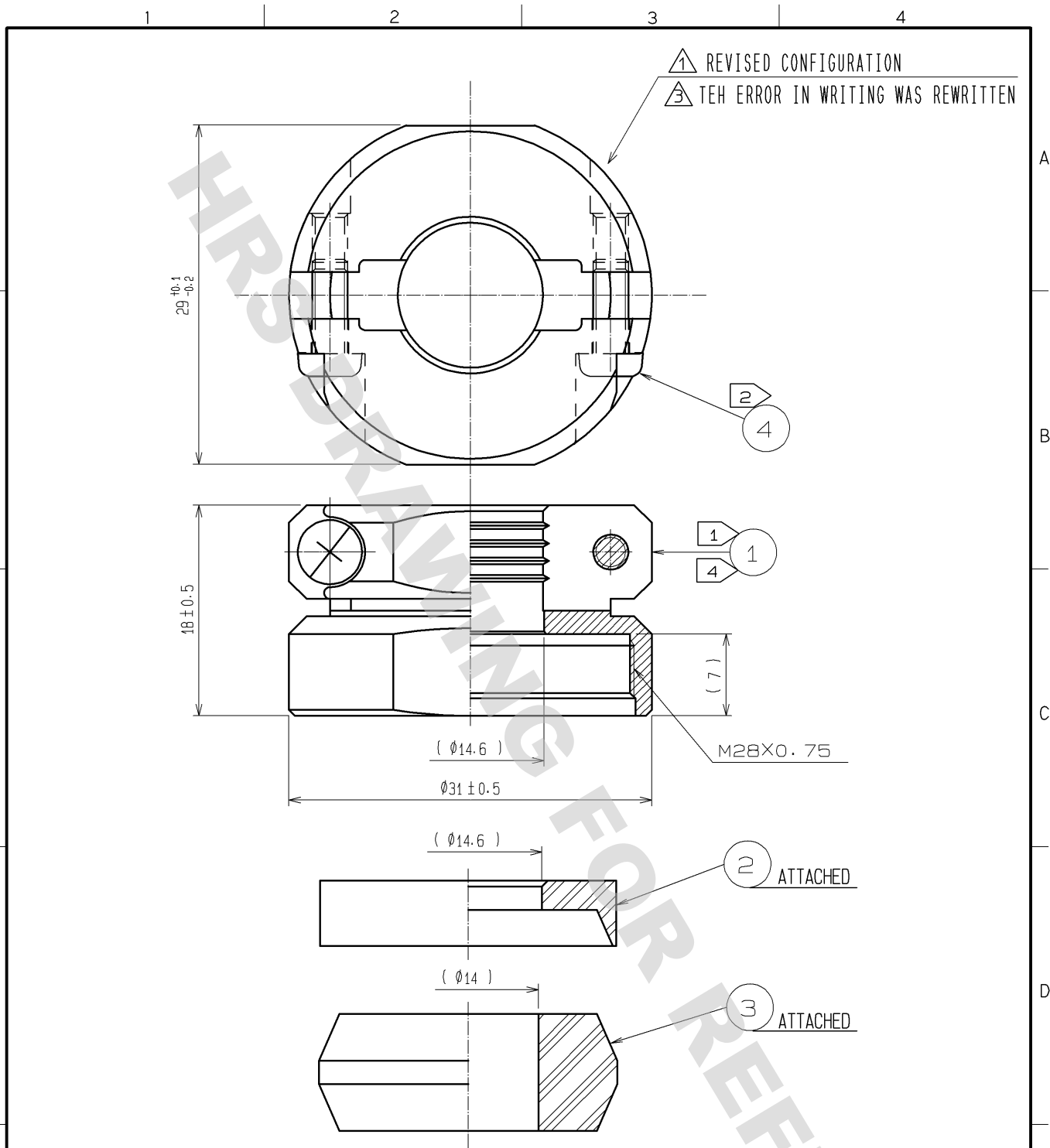


DRAWING FOR REFERENCE: This is subject to change without notice

08/11/2012

E

F



- NOTES
- ① THE RECOMMENDED CLAMP TORQUE OF REF. NO. ① TO BE 5 TO 5.5 N · m.  
LOCTITE 271, HENKEL JAPAN OR EQUIVALENT IS RECOMMENDED TO PREVENT REF. NO. ① FROM LOOSENING.
  - ② THE RECOMMENDED CLAMP TORQUE OF REF. NO. ② TO BE 0.65 TO 0.7 N · m.
  - ③ THE CABLE PULL AND TWISTING STRENGTH AND OTHER CHARACTERISTICS MAY DIFFER, DEPENDING ON THE CABLE STRUCTURE. PLEASE CONFIRM BEFORE THE USE.
  - ④ PORE SHOWN ON THE SURFACE OF REF NO. ④ COMPONENT, GENERATED BY THE PROCESS OF MACHINING AFTER DIE-CASTING, WILL NOT AFFECT PERFORMANCE.

2	POLYPHENYLENE SULFIDE	(BLACK) UL94V-0	4	STAINLESS STEEL	M3X0.5X8		
1	ZINC ALLOY	BLACK CHROME PLATING	3	ACRYLONITRILE BUTADIENE RUBBER	(GRAY)		
NO.	MATERIAL	FINISH . REMARKS	NO.	MATERIAL	FINISH . REMARKS		
UNITS mm		SCALE 2 : 1	COUNT ③ 1	DESCRIPTION OF REVISIONS DIS-C-001274	DESIGNED YH. YAMADA	CHECKED SU. OBARA	DATE 09. 05. 23
<b>HRS</b> HIROSE ELECTRIC CO., LTD.	APPROVED : MO. SATOH	08. 04. 15	DRAWING NO.	EDC4-110616-71			
	CHECKED : HY. KOBAYASHI	08. 04. 15	PART NO.	JR25WCC-14(71)			
	DESIGNED : HS. KAWASHIMA	08. 04. 14	CODE NO.	CL114-2066-0-71			
	DRAWN : HS. KAWASHIMA	08. 04. 14					

## X-ON Electronics

Largest Supplier of Electrical and Electronic Components

*Click to view similar products for [Standard Circular Connector](#) category:*

*Click to view products by [Hirose](#) manufacturer:*

Other Similar products are found below :

[5M2530B10P](#) [600259N006](#) [600273N007](#) [6134-336-13149](#) [6134-337-11149](#) [6134-337-2390](#) [6134-341-17149](#) [6280-4SG-516](#) [6280-7SG-3DC](#)  
[6290](#) [6291A](#) [66200A-10](#) [680-SMG](#) [681-PMG](#) [CXS3102A14S2P](#) [CXS3102A181S](#) [7251-6SG-300](#) [7271-6SG-300](#) [7282-3PG-300-CH3](#) [75-](#)  
[474014-05S](#) [75-474618-01S](#) [75-474618-04P](#) [75-474618-04S](#) [799539-000](#) [MI8-SE](#) [805-005-07NF11-19PC](#) [805-005-07NF15-7PA](#) [8280-4PG-](#)  
[516](#) [8280-7PG-519](#) [8282-5PG-519](#) [836783-1](#) [MP-4102-25P-C](#) [862256-1](#) [864019-2](#) [866857-1](#) [867865-1](#) [PT01SP-14-18P](#) [PT08P-14-5S](#)  
[PTSF06SE-14-12S](#) [120-1833-000](#) [QCM019PC2DC012B](#) [1-2069279-1](#) [121583-0217](#) [121667-0020](#) [129591AU](#) [1000B BULK](#) [RD10A16-19-](#)  
[P6CS051/1](#) [RD10A20-31-P8CS051/1](#) [RD16A14-12-S6CS051/2](#) [1301240290](#) [1301240347](#)