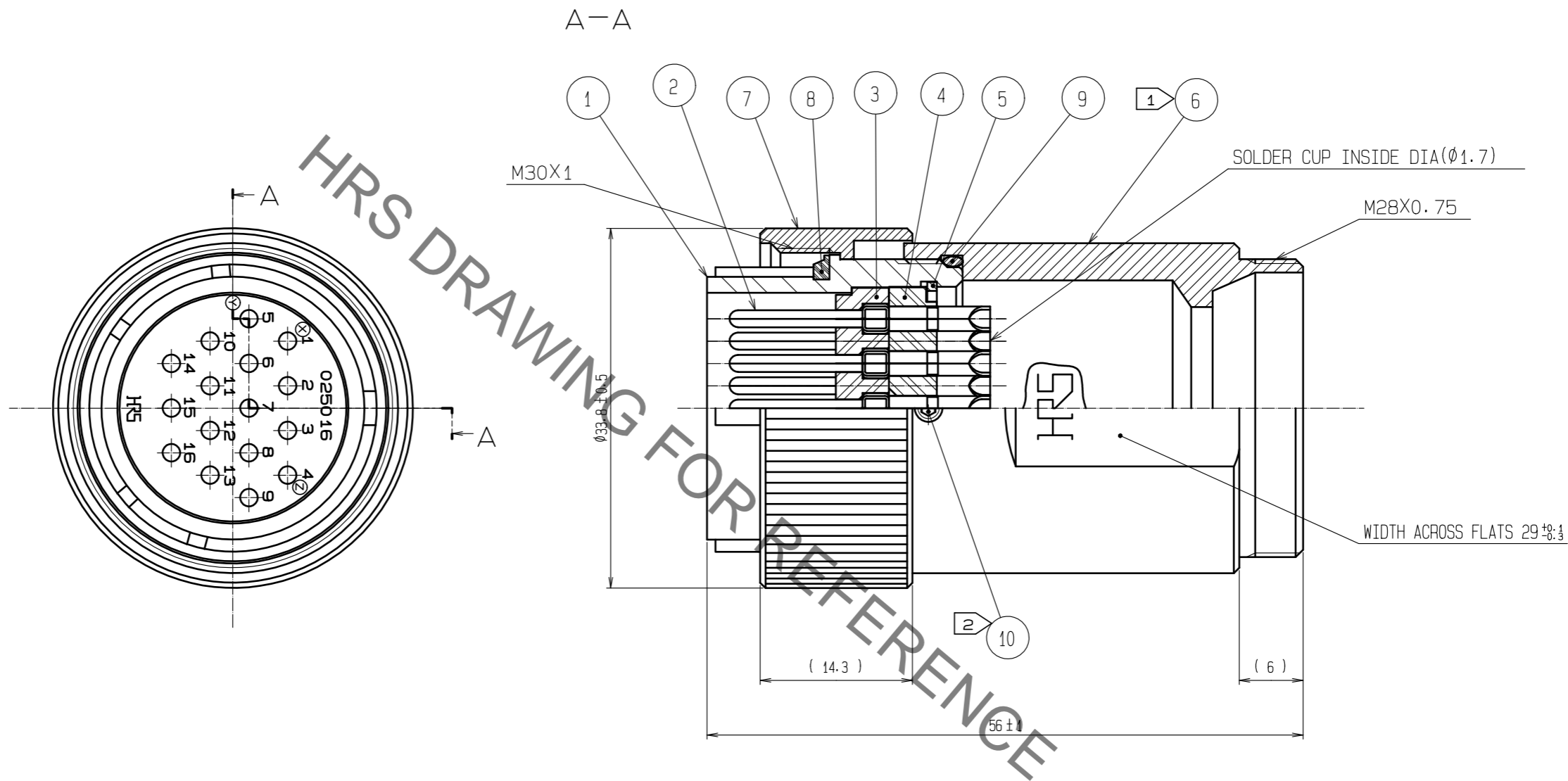


Sep.1.2021 Copyright 2021 HIROSE ELECTRIC CO., LTD. All Rights Reserved.
 In case of consideration for using Automotive equipment / device which demand high reliability, kindly contact our sales window correspondents.



- NOTES
- ① THE RECOMMENDED CLAMP TORQUE OF REF. NO. ⑥ TO BE 2 TO 2.5 N·m.
 - ② THE RECOMMENDED CLAMP TORQUE OF REF. NO. ⑩ TO BE 0.2 TO 0.25 N·m.
 - 3 ROTATION EXAMPLES OF REF. NOS. ① AND ⑥ ARE SHOWN.
 - 4 SCREW OF REF. NO. ①, ⑥, ⑧, LOCTITE 263, OR EQUIVALENT, LOCTITE JAPAN IS RECOMMENDED TO PREVENT FROM LOOSENING.
 - 5 THIS PRODUCT TO BE USED WITH CABLECLAMP, JR25WCC-*.
 * DESIGNATE DIAMETER OF APPLICABLE CABLE.

5	PHOSPHOR BRONZE	NICKEL PLATING	10	STAINLESS STEEL	
4	PHENOL-FORMALDEHYDE	(BLACK) UL94V-0	9	NBR	(GRAY)
3	PHENOL-FORMALDEHYDE	(BLACK) UL94V-0	8	NBR	(GRAY)
2	COPPER ALLOY	SILVER PLATING 3μm min.	7	BRASS	BLACK CHROME PLATING
1	ALUMINUM ALLOY	BLACK CHROME PLATING	6	BRASS	BLACK CHROME PLATING
NO.	MATERIAL	FINISH . REMARKS	NO.	MATERIAL	FINISH . REMARKS
UNITS		SCALE	COUNT	DESCRIPTION OF REVISIONS	
mm		2 : 1	△	DESIGNED	CHECKED
HIROSE ELECTRIC CO., LTD.		APPROVED	HY. KOBAYASHI	18.02.26	DRAWING NO.
		CHECKED	HY. KOBAYASHI	18.02.26	PART NO.
		DESIGNED	TH. KAMEYA	18.02.22	CODE NO.
		DRAWN	TH. KAMEYA	18.02.22	
				EDC-110567-31-00	
				JR25WP-16P(31)	
				CL114-2010-6-31	
				1/1	

X-ON Electronics

Largest Supplier of Electrical and Electronic Components

Click to view similar products for [Standard Circular Connector](#) category:

Click to view products by [Hirose](#) manufacturer:

Other Similar products are found below :

[5M2530B10P](#) [600259N006](#) [600273N007](#) [6134-336-13149](#) [6134-337-11149](#) [6134-337-2390](#) [6134-341-17149](#) [6280-4SG-516](#) [6280-7SG-3DC](#)
[6290](#) [6291A](#) [66200A-10](#) [680-SMG](#) [681-PMG](#) [CXS3102A14S2P](#) [CXS3102A181S](#) [7251-6SG-300](#) [7271-6SG-300](#) [7282-3PG-300-CH3](#) [75-](#)
[474014-05S](#) [75-474618-01S](#) [75-474618-04S](#) [799539-000](#) [MI8-SE](#) [805-005-07NF11-19PC](#) [805-005-07NF15-7PA](#) [8280-4PG-516](#) [8280-7PG-](#)
[519](#) [8282-5PG-519](#) [836783-1](#) [MP-4102-25P-C](#) [862256-1](#) [864019-2](#) [866857-1](#) [867865-1](#) [PT01SP-14-18P](#) [PT08P-14-5S](#) [PTSF06SE-14-12S](#)
[120-1833-000](#) [QCM019PC2DC012B](#) [1-2069279-1](#) [121583-0217](#) [121667-0020](#) [129591AU](#) [1000B BULK](#) [RD10A16-19-P6CS051/1](#)
[RD10A20-31-P8CS051/1](#) [RD16A14-12-S6CS051/2](#) [1301240290](#) [1301240347](#) [1301860202](#)