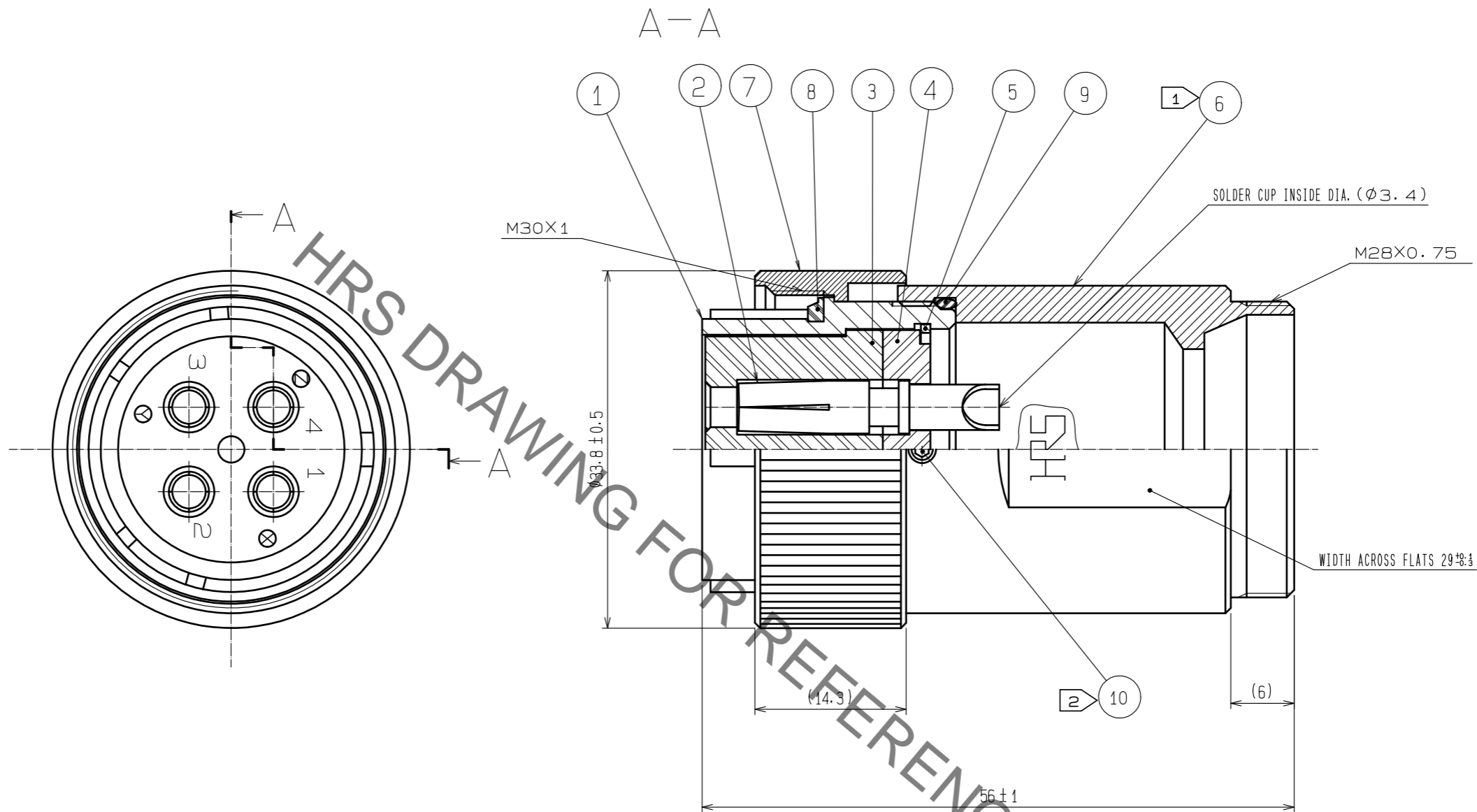


Sep.1.2021 Copyright 2021 HIROSE ELECTRIC CO., LTD. All Rights Reserved.  
In case of consideration for using Automotive equipment / device which demand high reliability, kindly contact our sales window correspondents.



- NOTES
- ① THE RECOMMENDED TIGHTENING TORQUE OF REF. NO. ⑥ SHALL BE 5 TO 5.5N · m.
  - ② THE RECOMMENDED TIGHTENING TORQUE OF REF. NO. ⑩ SHALL BE 0.2 TO 0.25N · m.
  - 3 LOCTITE 263, HENKEL JAPAN OR EQUIVALENT IS RECOMMENDED TO PREVENT REF. NO. ①, ⑥ AND ⑩ FROM LOOSENING.
  - 4 ONE EXAMPLE OF THE ROTATION OF REF. NO. ⑥ TO REF. NO. ① AND THE SOLDER CUP OF REF. NO. ② ARE SHOWN.
  - 5 THIS PRODUCTS TO BE USED WITH CABLE CLAMP, JR25WCC-\*(72).  
\*DESIGNATE DIAMETER(mm) OF APPLICABLE CABLE.
  - △ THE CABLE PULL AND TWISTING STRENGTH AND OTHER CHARACTERISTICS MAY DIFFER, DEPENDING ON THE CABLE STRUCTURE.  
PLEASE CONFIRM BEFORE THE USE.
  - △ 6 UL certified product(E52653).

5	PHOSPHOR BRONZE	NICKEL PLATING	10	STAINLESS STEEL	HEX:1.27 △		
4	POLYPHENYLENE SULFIDE	(BLACK) UL94V-0	9	SILICONE RUBBER	(BLACK)		
3	POLYPHENYLENE SULFIDE	(BLACK) UL94V-0	8	SILICONE RUBBER	(BLACK)		
2	PHOSPHOR BRONZE	SILVER PLATING 2μm min.	7	BRASS	BLACK CHROME PLATING		
1	ALUMINUM ALLOY	BLACK CHROME PLATING	6	BRASS	BLACK CHROME PLATING		
NO.	MATERIAL	FINISH . REMARKS	NO.	MATERIAL	FINISH . REMARKS		
UNITS mm		SCALE 2 : 1	COUNT 1	DESCRIPTION OF REVISIONS DIS-C-00003802	DESIGNED YS. NARA	CHECKED EJ. KUNII	DATE 20200129
<b>HRS</b> HIROSE ELECTRIC CO., LTD.		APPROVED : EJ. KUNII	20130130	DRAWING NO. EDC3-118063-00			
		CHECKED : HY. KISHI	20130130	PART NO. JR25WPH-4S			
		DESIGNED : HK. NAMAI	20130129	CODE NO. CL114-2183-4-00			
		DRAWN : HK. NAMAI	20130129			1/1	

## X-ON Electronics

Largest Supplier of Electrical and Electronic Components

*Click to view similar products for [Standard Circular Connector](#) category:*

*Click to view products by [Hirose](#) manufacturer:*

Other Similar products are found below :

[5M2530B10P](#) [600259N006](#) [600273N007](#) [6134-336-13149](#) [6134-337-11149](#) [6134-337-2390](#) [6134-341-17149](#) [6280-4SG-516](#) [6280-7SG-3DC](#)  
[6290](#) [6291A](#) [66200A-10](#) [680-SMG](#) [681-PMG](#) [CXS3102A14S2P](#) [CXS3102A181S](#) [7251-6SG-300](#) [7271-6SG-300](#) [7282-3PG-300-CH3](#) [75-](#)  
[474014-05S](#) [75-474618-01S](#) [75-474618-04S](#) [799539-000](#) [MI8-SE](#) [805-005-07NF11-19PC](#) [805-005-07NF15-7PA](#) [8280-4PG-516](#) [8280-7PG-](#)  
[519](#) [8282-5PG-519](#) [836783-1](#) [MP-4102-25P-C](#) [862256-1](#) [864019-2](#) [866857-1](#) [867865-1](#) [PT01SP-14-18P](#) [PT08P-14-5S](#) [PTSF06SE-14-12S](#)  
[120-1833-000](#) [QCM019PC2DC012B](#) [1-2069279-1](#) [121583-0217](#) [121667-0020](#) [129591AU](#) [1000B BULK](#) [RD10A16-19-P6CS051/1](#)  
[RD10A20-31-P8CS051/1](#) [RD16A14-12-S6CS051/2](#) [1301240290](#) [1301240347](#) [1301860202](#)