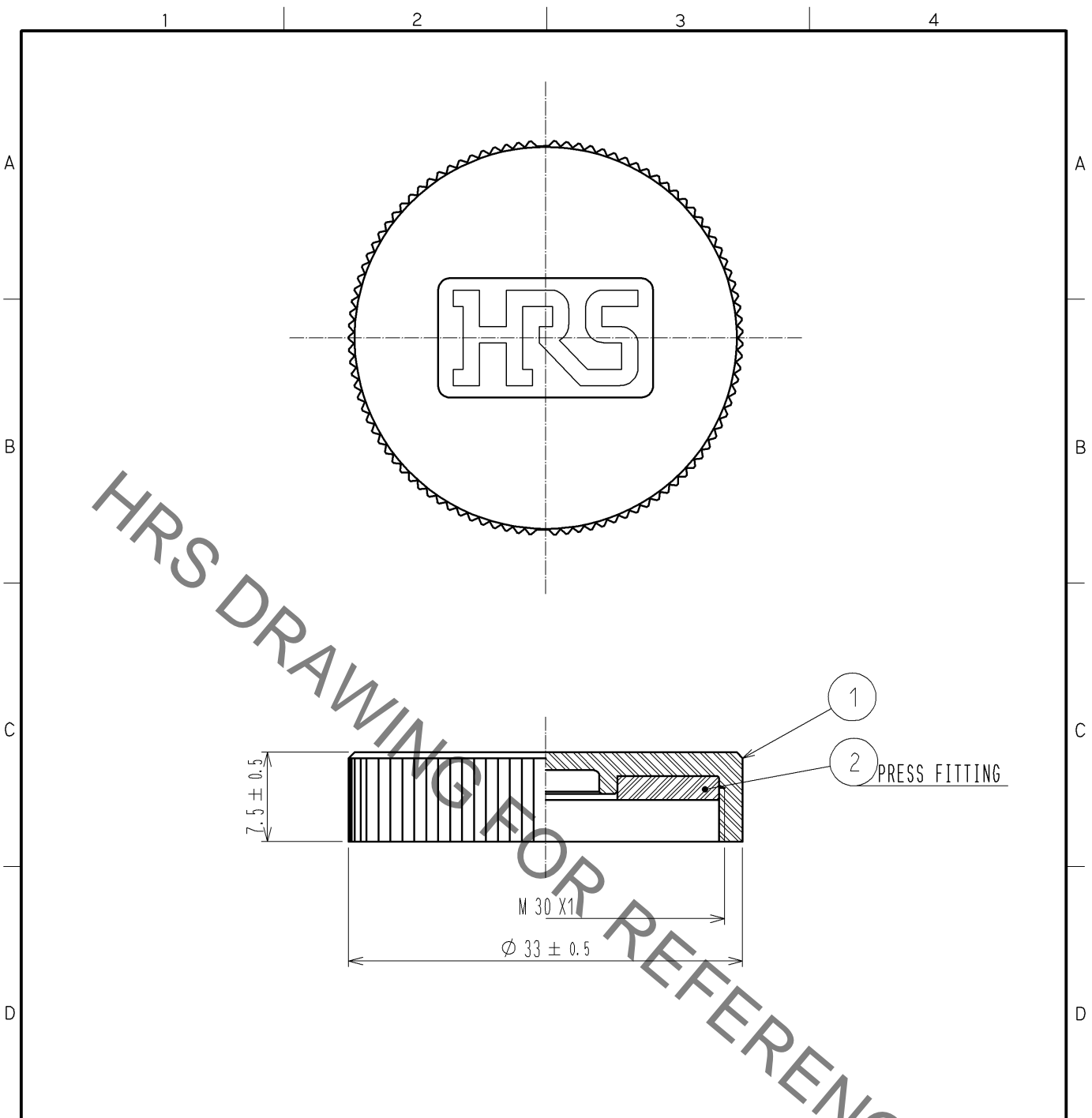


Sep.1.2021 Copyright 2021 HIROSE ELECTRIC CO., LTD. All Rights Reserved.  
In case of consideration for using Automotive equipment / device which demand high reliability, kindly contact our sales window correspondents.



- NOTES
1. The recommended clamp torque to receptacle: 1.2N · m
  2. In order to prevent screw loosening after assembly to the receptacle, wrap self-fusing tape around this component and the receptacle for stabilization.
  - ⚠ 3. This product is a cap for JR※25WR※-※(※).  
It is applicable regardless of given alphabets and/or numbers shown at ※.

1	Polyamide	(BLACK) UL94V-0	2	Silicone Rubber	(Red brown)		
NO.	MATERIAL	FINISH , REMARKS	NO.	MATERIAL	FINISH , REMARKS		
UNITS mm		SCALE 2 : 1	COUNT ⚠ 1	DESCRIPTION OF REVISIONS DIS-C-002972	DESIGNED WR. AJIRO	CHECKED TP. KOMATSU	DATE 13. 03. 25
<b>HRS</b> HIROSE ELECTRIC CO., LTD.	APPROVED : SU. OBARA	10. 11. 04	DRAWING NO.	EDC4-116400-00			
	CHECKED : HY. KOBAYASHI	10. 11. 04	PART NO.	JR25WRC5			
	DESIGNED : HS. NAGANO	10. 11. 02	CODE NO.	CL114-2175-6-00			
	DRAWN : HS. NAGANO	10. 11. 02		⚠ 1/1			

## X-ON Electronics

Largest Supplier of Electrical and Electronic Components

*Click to view similar products for [Standard Circular Connector](#) category:*

*Click to view products by [Hirose](#) manufacturer:*

Other Similar products are found below :

[5M2530B10P](#) [600259N006](#) [600273N007](#) [6134-336-13149](#) [6134-337-11149](#) [6134-337-2390](#) [6134-341-17149](#) [6280-4SG-516](#) [6280-7SG-3DC](#)  
[6290](#) [6291A](#) [66200A-10](#) [680-SMG](#) [681-PMG](#) [CXS3102A14S2P](#) [CXS3102A181S](#) [7251-6SG-300](#) [7271-6SG-300](#) [7282-3PG-300-CH3](#) [75-](#)  
[474014-05S](#) [75-474618-01S](#) [75-474618-04S](#) [799539-000](#) [MI8-SE](#) [805-005-07NF11-19PC](#) [805-005-07NF15-7PA](#) [8280-4PG-516](#) [8280-7PG-](#)  
[519](#) [8282-5PG-519](#) [836783-1](#) [MP-4102-25P-C](#) [862256-1](#) [864019-2](#) [866857-1](#) [867865-1](#) [PT01SP-14-18P](#) [PT08P-14-5S](#) [PTSF06SE-14-12S](#)  
[120-1833-000](#) [QCM019PC2DC012B](#) [1-2069279-1](#) [121583-0217](#) [121667-0020](#) [129591AU](#) [1000B BULK](#) [RD10A16-19-P6CS051/1](#)  
[RD10A20-31-P8CS051/1](#) [RD16A14-12-S6CS051/2](#) [1301240290](#) [1301240347](#) [1301860202](#)