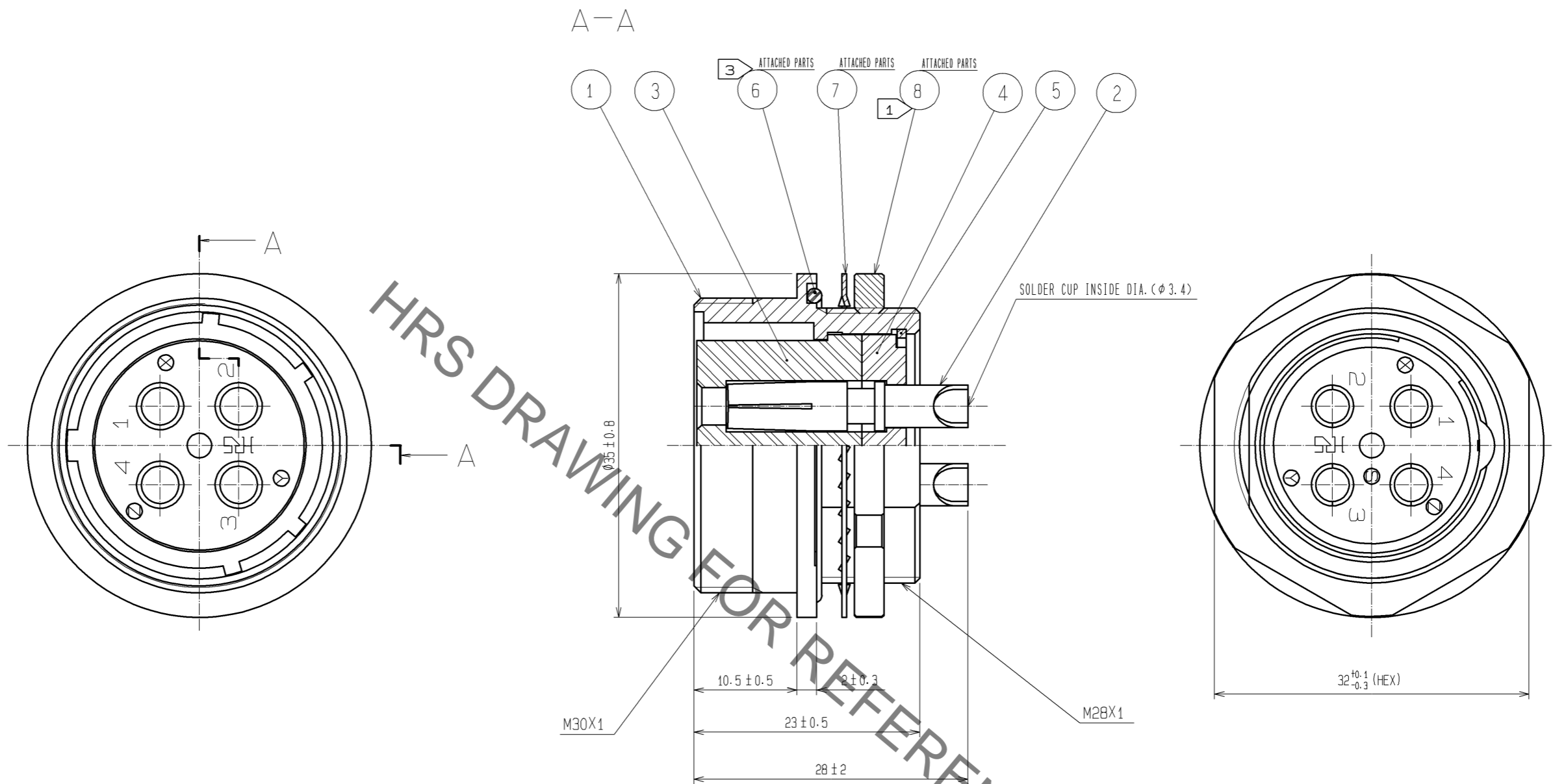
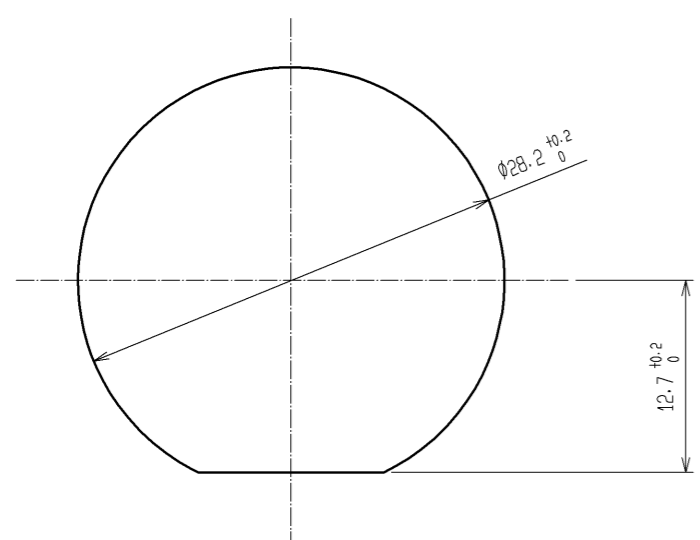


Sep.1.2021 Copyright 2021 HIROSE ELECTRIC CO., LTD. All Rights Reserved.  
In case of consideration for using Automotive equipment / device which demand high reliability, kindly contact our sales window correspondents.



HRS DRAWING FOR REFERENCE

PANEL CUTOUT



- NOTES
- ① THE RECOMMENDED TIGHTENING TORQUE OF REF.NO. ⑧ SHALL BE 2 TO 4N·m.
  - ② ROTATIONAL DIRECTION OF THE SOLDER CUP OF REF. NO. ② SHOWS AN EXAMPLE.
  - ③ WHEN MOUNTED ON CHASSIS, BE CAREFUL THAT REFERENCE NO. ⑥ IS FITTED INTO THE INDICATES GROOVE ANY BITING.

| NO. | MATERIAL              | FINISH . REMARKS        | NO. | MATERIAL        | FINISH . REMARKS |
|-----|-----------------------|-------------------------|-----|-----------------|------------------|
| 4   | POLYPHENYLENE SULFIDE | (BLACK) UL94V-0         | 8   | BRASS           | NICKEL PLATING   |
| 3   | POLYPHENYLENE SULFIDE | (BLACK) UL94V-0         | 7   | PHOSPHOR BRONZE | NICKEL PLATING   |
| 2   | PHOSPHOR BRONZE       | SILVER PLATING 2μm min. | 6   | SILICONE RUBBER | (BLACK)          |
| 1   | ZINC ALLOY            | BLACK CHROME PLATING    | 5   | PHOSPHOR BRONZE | NICKEL PLATING   |

| UNITS                | SCALE | COUNT | DESCRIPTION OF REVISIONS | DESIGNED                   | CHECKED | DATE |
|----------------------|-------|-------|--------------------------|----------------------------|---------|------|
| mm                   | 2 : 1 | △     |                          |                            |         |      |
| APPROVED : EJ. KUNII |       |       | 13. 09. 09               | DRAWING NO. EDC3-118116-00 |         |      |
| CHECKED : HY. KISHI  |       |       | 13. 09. 09               | PART NO. JR25WRHA-4S       |         |      |
| DESIGNED : HK. NAMAI |       |       | 13. 09. 09               | CODE NO. CL114-1135-6-00   |         |      |
| DRAWN : HK. NAMAI    |       |       | 13. 09. 09               | △ 1/1                      |         |      |

## X-ON Electronics

Largest Supplier of Electrical and Electronic Components

*Click to view similar products for [Standard Circular Connector](#) category:*

*Click to view products by [Hirose](#) manufacturer:*

Other Similar products are found below :

[5M2530B10P](#) [600259N006](#) [600273N007](#) [6134-336-13149](#) [6134-337-11149](#) [6134-337-2390](#) [6134-341-17149](#) [6280-4SG-516](#) [6280-7SG-3DC](#)  
[6290](#) [6291A](#) [66200A-10](#) [680-SMG](#) [681-PMG](#) [CXS3102A14S2P](#) [CXS3102A181S](#) [7251-6SG-300](#) [7271-6SG-300](#) [7282-3PG-300-CH3](#) [75-](#)  
[474014-05S](#) [75-474618-01S](#) [75-474618-04S](#) [799539-000](#) [MI8-SE](#) [805-005-07NF11-19PC](#) [805-005-07NF15-7PA](#) [8280-4PG-516](#) [8280-7PG-](#)  
[519](#) [8282-5PG-519](#) [836783-1](#) [MP-4102-25P-C](#) [862256-1](#) [864019-2](#) [866857-1](#) [867865-1](#) [PT01SP-14-18P](#) [PT08P-14-5S](#) [PTSF06SE-14-12S](#)  
[120-1833-000](#) [QCM019PC2DC012B](#) [1-2069279-1](#) [121583-0217](#) [121667-0020](#) [129591AU](#) [1000B BULK](#) [RD10A16-19-P6CS051/1](#)  
[RD10A20-31-P8CS051/1](#) [RD16A14-12-S6CS051/2](#) [1301240290](#) [1301240347](#) [1301860202](#)