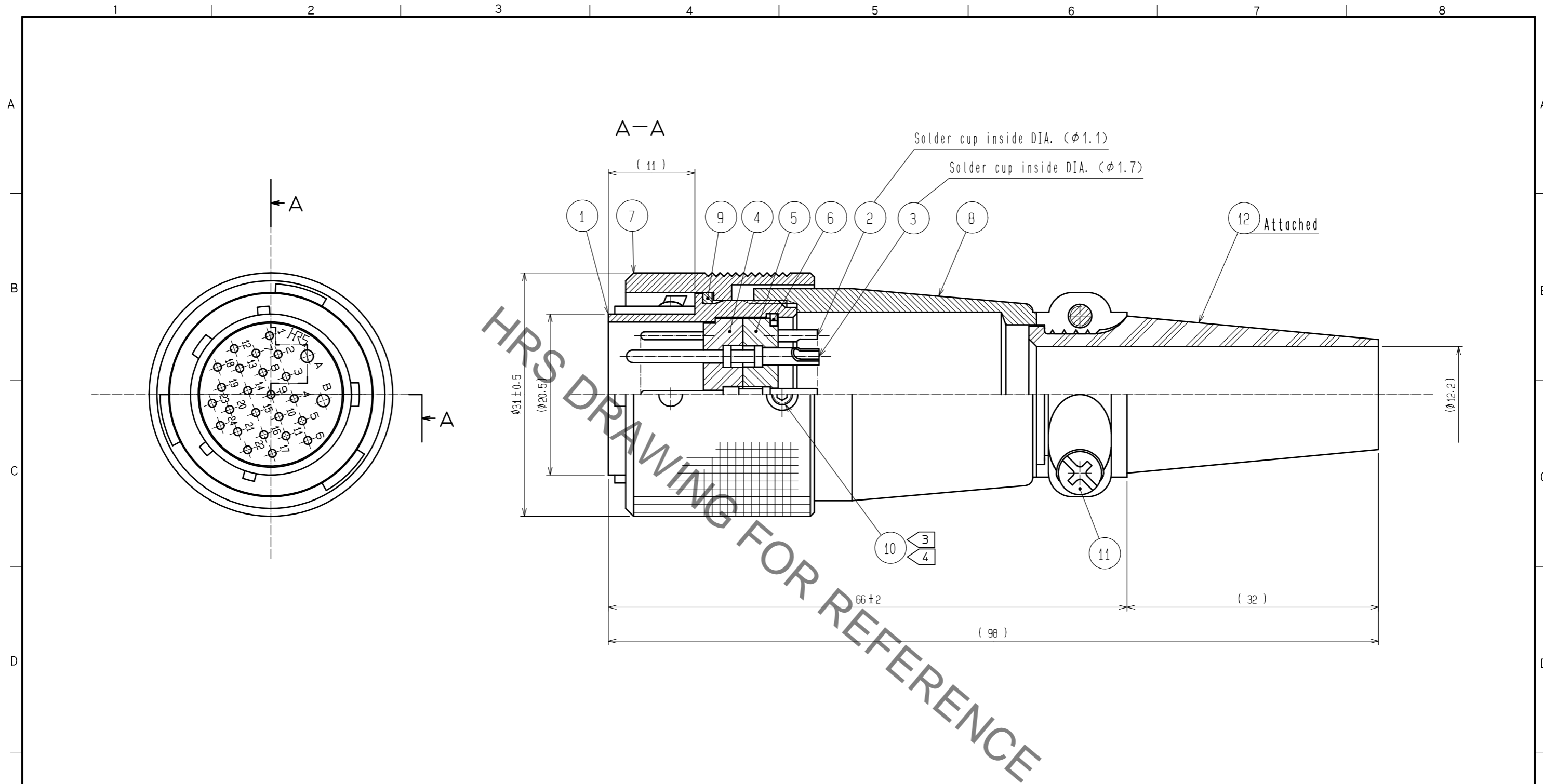


Sep.1.2021 Copyright 2021 HIROSE ELECTRIC CO., LTD. All Rights Reserved.  
In case of consideration for using Automotive equipment / device which demand high reliability, kindly contact our sales window correspondents.



- Notes
- ① Rotation examples of REF. No. ①, ⑦ and ⑧ are shown.
  - ② An example of solder cup direction REF. No. ② and ③ is shown.
  - ③ The recommended clamp torque of REF. No. ⑩ : 0.2 to 0.3 N·m.
  - ④ Across flats of hexagon hole of REF. No. ⑩ to be 1.27.

6	Phosphor bronze	Nickel plating	12	Chloprene rubber	(Black)
5	Phenol-formal dehyde	(Black) UL94V-0	11	Brass	Nickel plating JIS B 1111 Pan head machine screw M3X0.5X8
4	Phenol-formal dehyde	(Black) UL94V-0	10	Steel	Nickel plating JIS B 1177 Hexagon socket set screw M2.6X0.45X2
3	Copper alloy	Silver plating 2μm min.	9	Polyacetal	(White)
2	Copper alloy	Silver plating 2μm min.	8	Aluminum alloy	Matte finish nickel plated
1	Aluminum alloy	Matte finish nickel plated	7	Brass	Matte finish nickel plated
NO.	MATERIAL	FINISH . REMARKS	NO.	MATERIAL	FINISH . REMARKS

UNITS mm		SCALE 2 : 1	COUNT 1	DESCRIPTION OF REVISIONS DIS-C-00006136	DESIGNED HR. SATO	CHECKED EJ. KUNII	DATE 20210419
<b>HRS</b> HIROSE ELECTRIC CO., LTD.		APPROVED : HY. KOBAYASHI 20180313	DRAWING NO. EDC-020921-31-00				
		CHECKED : HY. KOBAYASHI 20180313	PART NO. JRC21BPA-26P(31)				
		DESIGNED : TH. KAMEYA 20180313	CODE NO. CL0114-0268-4-31				
		DRAWN : TH. KAMEYA 20180313					

## X-ON Electronics

Largest Supplier of Electrical and Electronic Components

*Click to view similar products for [Standard Circular Connector](#) category:*

*Click to view products by [Hirose](#) manufacturer:*

Other Similar products are found below :

[5M2530B10P](#) [600259N006](#) [600273N007](#) [6134-336-13149](#) [6134-337-11149](#) [6134-337-2390](#) [6134-341-17149](#) [6280-4SG-516](#) [6280-7SG-3DC6290](#) [6291A](#) [66200A-10](#) [680-SMG](#) [681-PMG](#) [CXS3102A14S2P](#) [CXS3102A181S](#) [7251-6SG-300](#) [7271-6SG-300](#) [7282-3PG-300-CH3](#) [75-474014-05S](#) [75-474618-01S](#) [75-474618-04S](#) [799539-000](#) [MI8-SE](#) [805-005-07NF11-19PC](#) [805-005-07NF15-7PA](#) [8280-4PG-516](#) [8280-7PG-519](#) [8282-5PG-519](#) [836783-1](#) [MP-4102-25P-C](#) [862256-1](#) [864019-2](#) [866857-1](#) [867865-1](#) [PT01SP-14-18P](#) [PT08P-14-5S](#) [PTSF06SE-14-12S120-1833-000](#) [QCM019PC2DC012B](#) [1-2069279-1](#) [121583-0217](#) [121667-0020](#) [129591AU](#) [1000B BULK](#) [RD10A16-19-P6CS051/1](#)  
[RD10A20-31-P8CS051/1](#) [RD16A14-12-S6CS051/2](#) [1301240290](#) [1301240347](#) [1301860202](#)