

In-case of consideration for using Automotive equipment / device which demand high reliability, kindly contact our sales window correspondents.

1 2 3 4 5 6 7 8

| COUNT | DESCRIPTION OF REVISIONS | BY | CHKD | DATE | COUNT | DESCRIPTION OF REVISIONS | BY | CHKD | DATE |
|-------|--------------------------|----|------|------|-------|--------------------------|----|------|------|
| | | | | | | | | | |
| | | | | | | | | | |
| | | | | | | | | | |

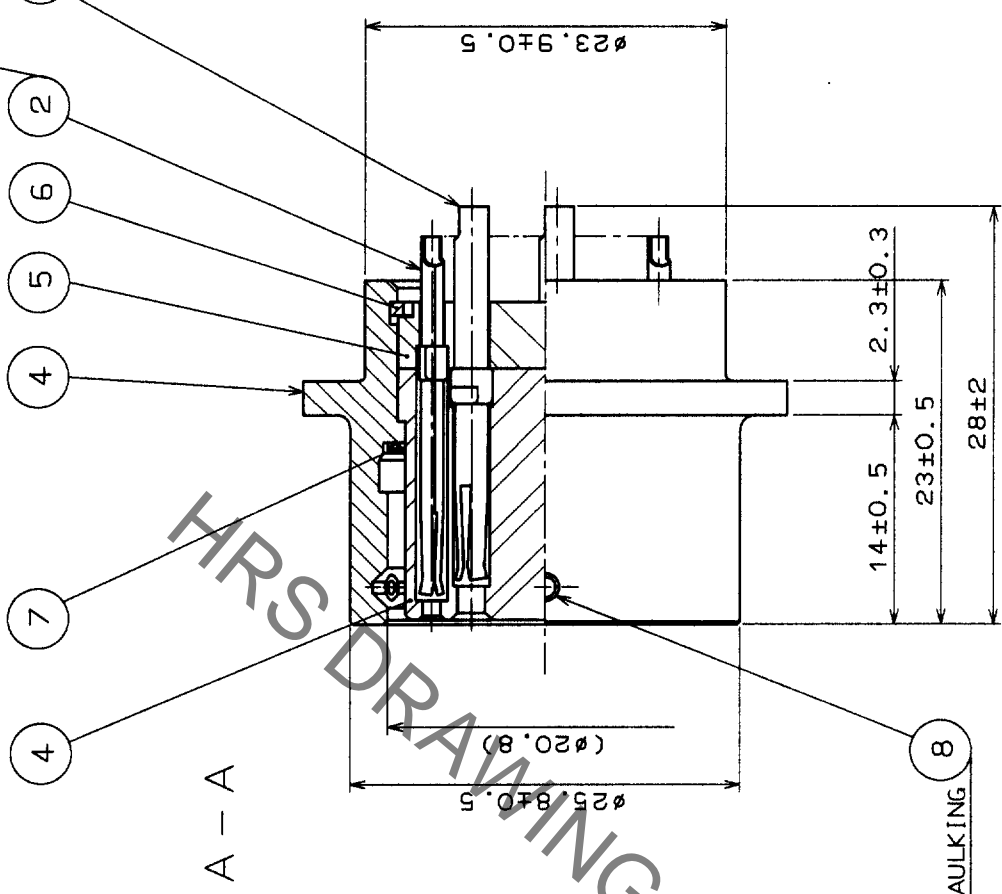
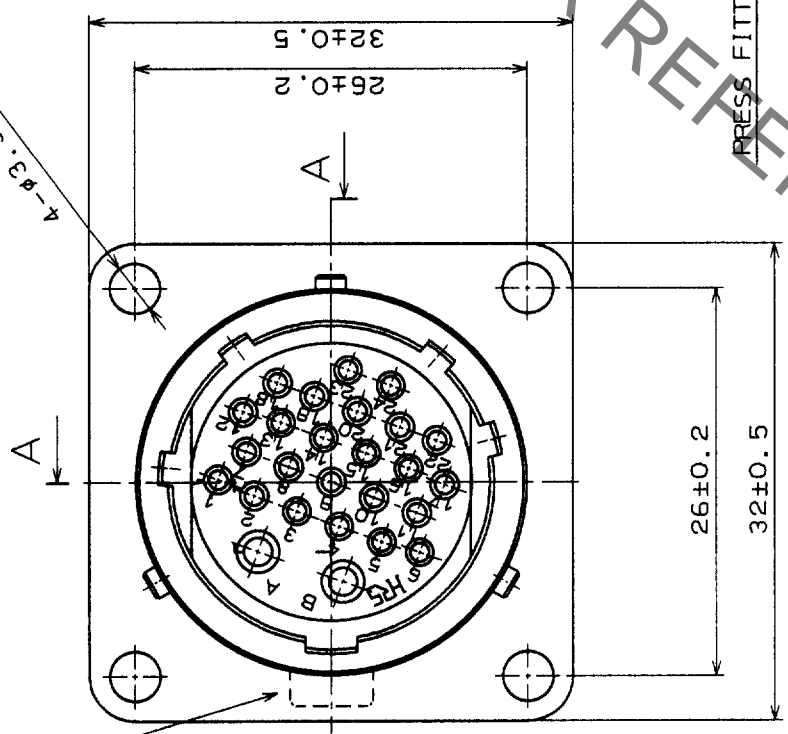
A A B C D E F

SOLDER CUP INSIDE DIA. (φ1.1)

3 SOLDER CUP INSIDE DIA. (φ1.7)

HRS MARK SHALL BE ON THE REVERSE.

HRS DRAWING FOR REFERENCE



NOTE 1 AN EXAMPLE OF SOLDER CUP DIRECTON REF. NO. @ AND ③ IS SHOWN.

| NO. | MATERIAL | FINISH | REMARKS | NO. | MATERIAL | FINISH | REMARKS |
|-----|-----------------------------|----------------------------|---------|-----|-----------------------------|----------------|---------|
| 4 | PHENOL-FORMALDEHYDE (BLACK) | UL94V-0 | | 8 | STAINLESS STEEL | | |
| 3 | BRASS | SILVER PLATING | | 7 | STAINLESS STEEL | | |
| 2 | BRASS | SILVER PLATING | | 6 | PHOSPHOR BRONZEL | NICKEL PLATING | |
| 1 | ALUMINUM ALLOY | MATTE FINISH NICKEL PLATED | | 5 | PHENOL-FORMALDEHYDE (BLACK) | UL94V-0 | |

| CODE NO. (OLD) | DESIGNED | CHECKED | APPROVED | RELEASED |
|----------------|----------|---------|------------|----------|
| | H.Kishi | H.Kishi | M. Yoshida | |
| | 97.7.14 | 97.7.19 | 97.7.16 | |

| DRAWING NO. | PART NO. |
|-------------|--------------|
| EDC3-020923 | JRC21BRA-26S |

| SCALE | UNITS | CODE NO. |
|-------|-------|--------------|
| 2:1 | mm | CL114-0270-6 |

| | |
|----|--|
| TO | |
| R | |
| | |
| | |

X-ON Electronics

Largest Supplier of Electrical and Electronic Components

Click to view similar products for [Standard Circular Connector](#) category:

Click to view products by [Hirose](#) manufacturer:

Other Similar products are found below :

[5M2530B10P](#) [600259N006](#) [600273N007](#) [6134-336-13149](#) [6134-337-11149](#) [6134-337-2390](#) [6134-341-17149](#) [6280-4SG-516](#) [6280-7SG-3DC](#)
[6290](#) [6291A](#) [66200A-10](#) [680-SMG](#) [681-PMG](#) [CXS3102A14S2P](#) [CXS3102A181S](#) [7251-6SG-300](#) [7271-6SG-300](#) [7282-3PG-300-CH3](#) [75-](#)
[474014-05S](#) [75-474618-01S](#) [75-474618-04S](#) [799539-000](#) [MI8-SE](#) [805-005-07NF11-19PC](#) [805-005-07NF15-7PA](#) [8280-4PG-516](#) [8280-7PG-](#)
[519](#) [8282-5PG-519](#) [836783-1](#) [MP-4102-25P-C](#) [862256-1](#) [864019-2](#) [866857-1](#) [867865-1](#) [PT01SP-14-18P](#) [PT08P-14-5S](#) [PTSF06SE-14-12S](#)
[120-1833-000](#) [QCM019PC2DC012B](#) [1-2069279-1](#) [121583-0217](#) [121667-0020](#) [129591AU](#) [1000B BULK](#) [RD10A16-19-P6CS051/1](#)
[RD10A20-31-P8CS051/1](#) [RD16A14-12-S6CS051/2](#) [1301240290](#) [1301240347](#) [1301860202](#)