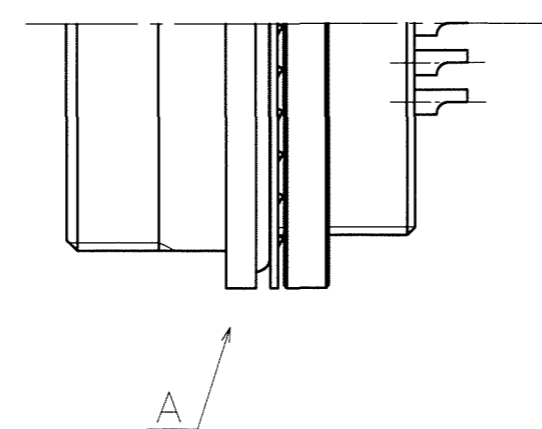
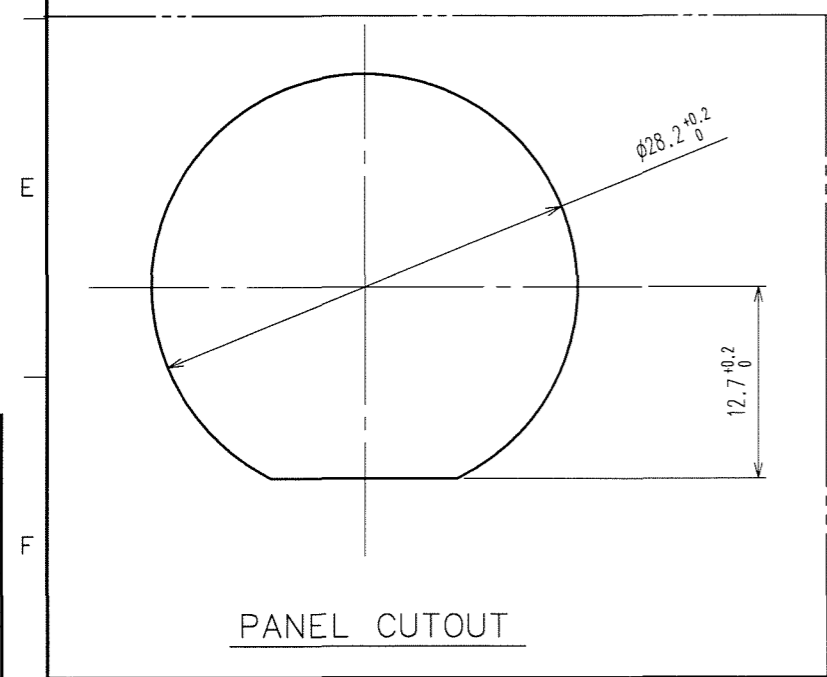
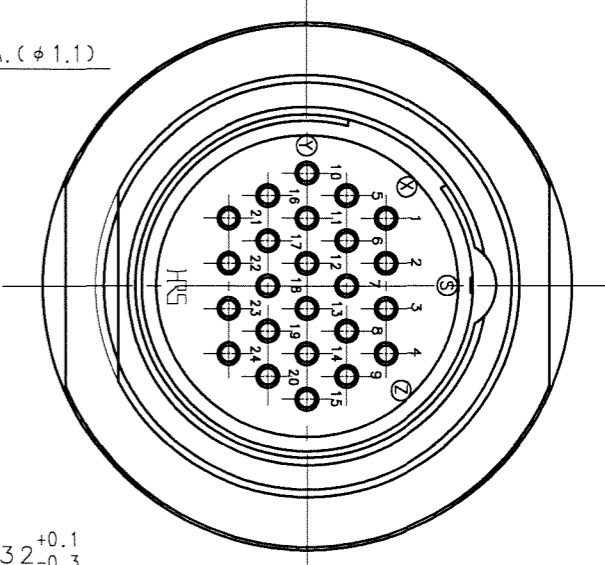
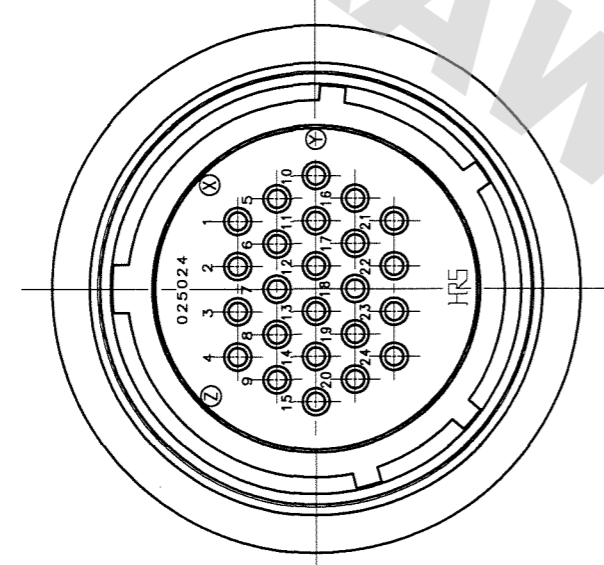
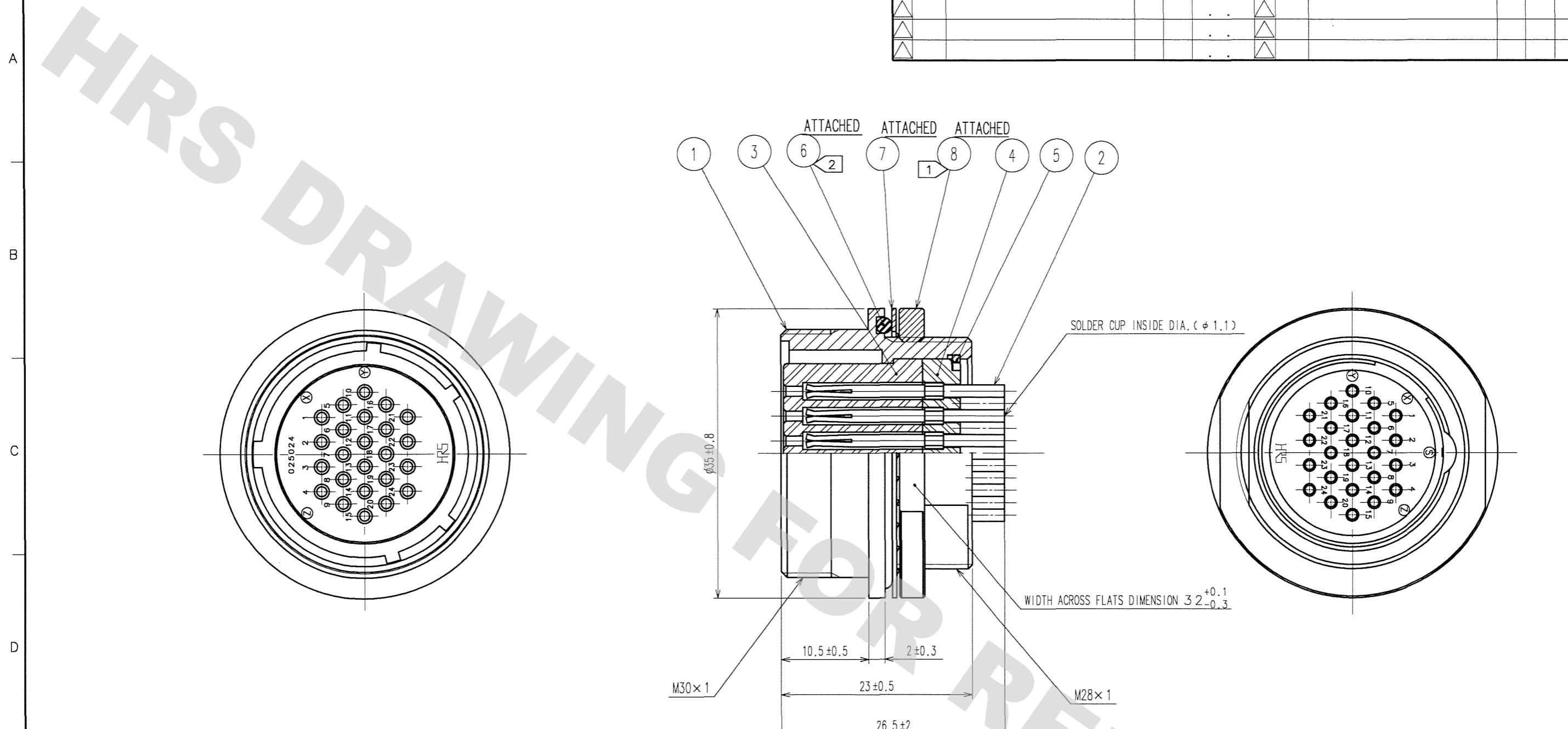


COUNT	DESCRIPTION OF REVISIONS	BY	CHKD	DATE	COUNT	DESCRIPTION OF REVISIONS	BY	CHKD	DATE
△					△				
△					△				
△					△				



NOTES ① THE RECOMMENDED CLAMP TORQUE OF REF. ② TO BE 2 TO 3 N · m. LOCTITE 271, HENKEL JAPAN OR EQUIVALENT IS RECOMMENDED TO PREVENT REF. NO. ② FROM LOOSENING.  
 ② WHEN MOUNTED ON CHASSIS, BE CAREFUL THAT REFERENCE REF. ③ IS FITTED INTO THE INDICATED GROOVE WITHOUT ANY BITING.

NO.	MATERIAL	FINISH, REMARKS	NO.	MATERIAL	FINISH, REMARKS
4	PHENOL FORMALDEHYDE	(BLACK)	8	BRASS	NICKEL PLATING
3	PHENOL FORMALDEHYDE	(BLACK)	7	PHOSPHOR BRONZE	NICKEL PLATING
2	BRASS	SILVER PLATING 2 $\mu$ m min	6	ACRYLONITRILE-BUTADIENE RUBBER	(GRAY)
1	ALUMINUM ALLOY	BLACK CHROME PLATING	5	PHOSPHOR BRONZE	NICKEL PLATING

CODE NO. (OLD) CL	DRAWN <i>J. Hoshi</i> 06.5.16	DESIGNED <i>J. Hoshi</i> 06.1.16	CHECKED <i>E. Kurita</i> 06.06.16	APPROVED <i>M. Sato</i> 06.06.16	RELEASED .
DRAWING NO. EDC3-010314-74		PART NO. JRC25WRG-24S(74)			
SCALE 2 : 1		UNITS mm		CODE NO. CL114-1044-2-74	

DRAWING FOR REFERENCE: This is subject to change without notice  
08/11/2012

TO
R

## X-ON Electronics

Largest Supplier of Electrical and Electronic Components

*Click to view similar products for [Standard Circular Connector](#) category:*

*Click to view products by [Hirose](#) manufacturer:*

Other Similar products are found below :

[5M2530B10P](#) [600259N006](#) [600273N007](#) [6134-336-13149](#) [6134-337-11149](#) [6134-337-2390](#) [6134-341-17149](#) [6280-4SG-516](#) [6280-7SG-3DC](#)  
[6290](#) [6291A](#) [66200A-10](#) [680-SMG](#) [681-PMG](#) [CXS3102A14S2P](#) [CXS3102A181S](#) [7251-6SG-300](#) [7271-6SG-300](#) [7282-3PG-300-CH3](#) [75-](#)  
[474014-05S](#) [75-474618-01S](#) [75-474618-04S](#) [799539-000](#) [MI8-SE](#) [805-005-07NF11-19PC](#) [805-005-07NF15-7PA](#) [8280-4PG-516](#) [8280-7PG-](#)  
[519](#) [8282-5PG-519](#) [836783-1](#) [MP-4102-25P-C](#) [862256-1](#) [864019-2](#) [866857-1](#) [867865-1](#) [PT01SP-14-18P](#) [PT08P-14-5S](#) [PTSF06SE-14-12S](#)  
[120-1833-000](#) [QCM019PC2DC012B](#) [1-2069279-1](#) [121583-0217](#) [121667-0020](#) [129591AU](#) [1000B BULK](#) [RD10A16-19-P6CS051/1](#)  
[RD10A20-31-P8CS051/1](#) [RD16A14-12-S6CS051/2](#) [1301240290](#) [1301240347](#) [1301860202](#)