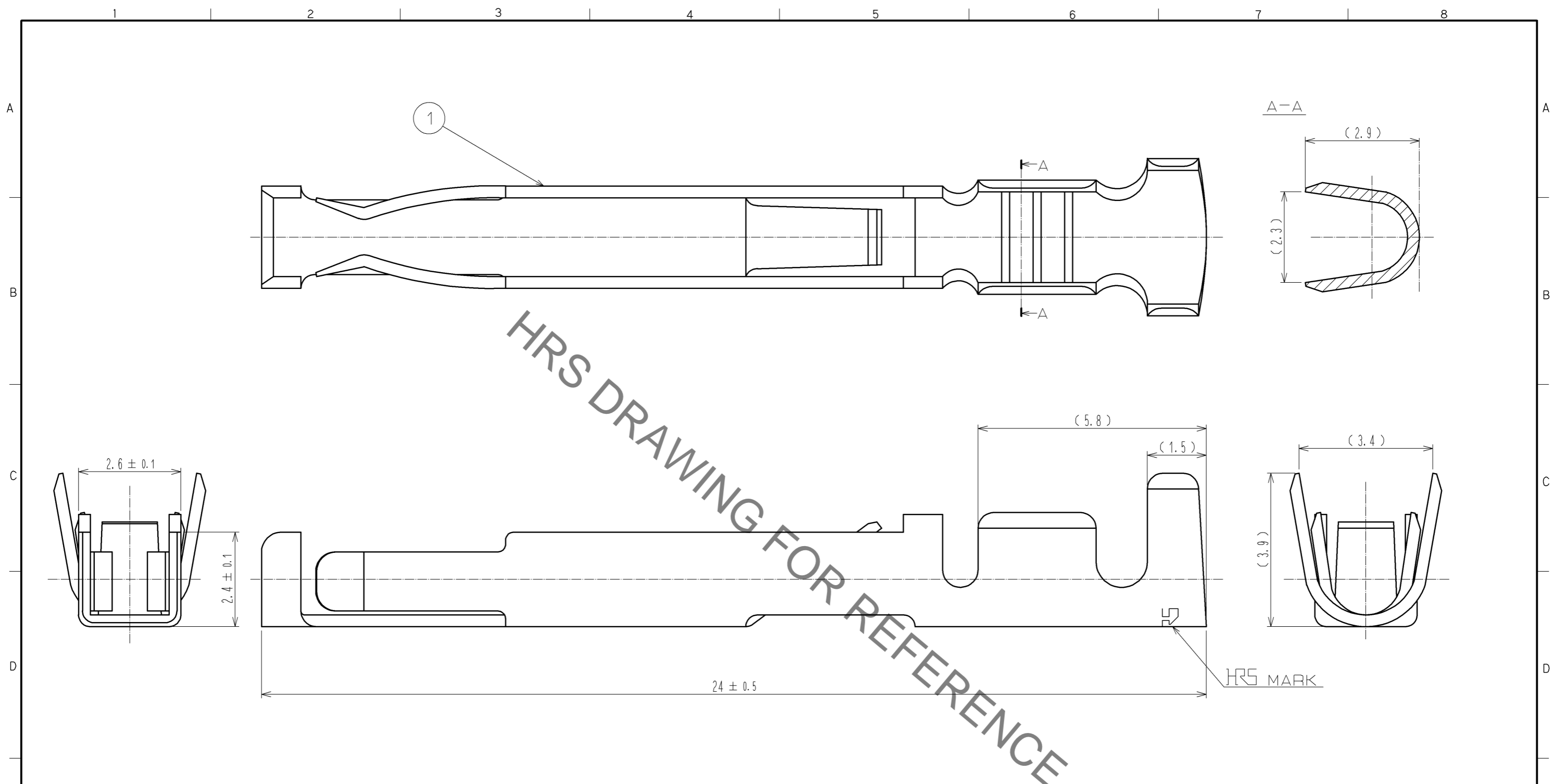


Sep.1.2021 Copyright 2021 HIROSE ELECTRIC CO., LTD. All Rights Reserved.
In case of consideration for using Automotive equipment / device which demand high reliability, kindly contact our sales window correspondents.



- NOTES
1. APPLICABLE CRIMPING HAND TOOL : JRC-TC-11 (CL150-0033-4) OR JRC-TC-12 (CL150-0034-7)
 2. APPLICABLE CRIMP CONTACT EXTRACTION TOOL : JRC-TP (CL150-0035-0)
 3. APPLICABLE WIRE : (AWG#16 TO 20)

1	PHOSPHOR BRONZE	SILVER PLATING 4μm MIN 100PCS				
NO.	MATERIAL	FINISH . REMARKS	NO.	MATERIAL	FINISH . REMARKS	
UNITS mm			SCALE 10 : 1		DESCRIPTION OF REVISIONS	DESIGNED
			APPROVED : SU. OBARA	11.12.08	DRAWING NO.	EDC3-009927-00
HIROSE ELECTRIC CO., LTD.			CHECKED : EJ. KUNII	11.12.08	PART NO.	JRC-SC-112
			DESIGNED : DS. MATSUNE	11.12.08	CODE NO.	CL114-0241-8-00
			DRAWN : TR. SATO	11.12.07		

X-ON Electronics

Largest Supplier of Electrical and Electronic Components

Click to view similar products for [Standard Circular Contacts](#) category:

Click to view products by [Hirose](#) manufacturer:

Other Similar products are found below :

[RC16M23J](#) [133780-1](#) [RM20M13D28](#) [RM24M9D28](#) [RMMX110-1D28](#) [MS3474W10-6P L/C](#) [164-901-CD](#) [EN3545007SCE](#)

[BV002BSQ20049CZ](#) [BV002SSQ160404CZ](#) [1900ND05S1B00B](#) [192900-0061](#) [192900-0575](#) [166566-1](#) [1900ND04S1X00D](#) [192900-0058](#) [ST-JL05-16S-C3-100](#) [ST-JL05-20S-C1-100](#) [ST-JL05-20S-C2-100](#) [T01-CRIMP-S03](#) [APK-SA16A07-002](#) [CONT-JL05-08S-C2-10](#) [RC16M-23T](#)

[RFD26L-1D28](#) [BV002ASJ16049CW](#) [JN1-22-20S-R-PKG100](#) [031-50565](#) [SJS861301M](#) [ST-JL05-16S-C1-100](#) [ST-JL05-20P-C1-100](#)

[82911466K](#) [ESLM03200](#) [192991-0087](#) [192900-0570](#) [ELFH07251](#) [44-104-10003-02](#) [T3P16FC3LZ](#) [ST-JL05-16S-C2-3500](#) [ZP-4016-10NF](#)

[CONT-JL05-12P-C1-10](#) [RM20M12G8D28](#) [031-50676](#) [12115010110](#) [RJFTVC2MG](#) [CAP-DACMDPC2](#) [031-50675-002](#) [CAP-DD1FDPC2](#)

[CAP-DACMDPC1](#) [031-50966-010](#) [ASSP-10-F-A-C-SA](#)