

2017/10/27 06:06:20 (JST) Hayley North

DRAWING FOR REFERENCE: This is subject to change without notice

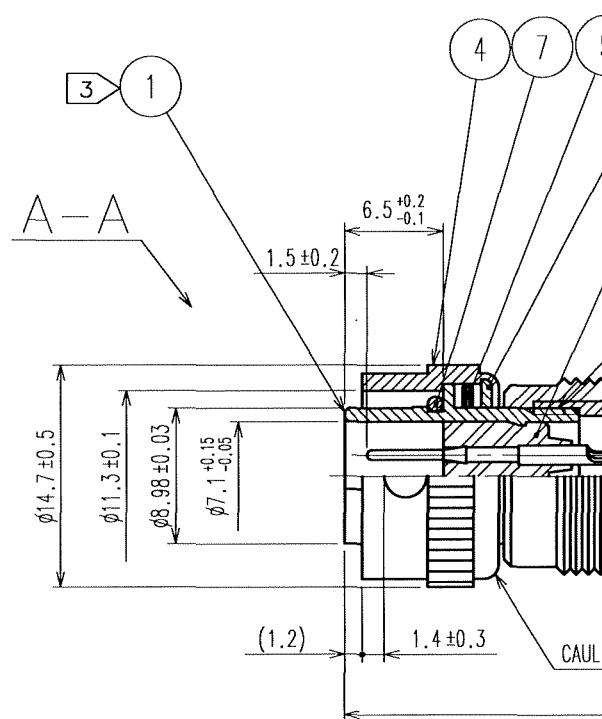
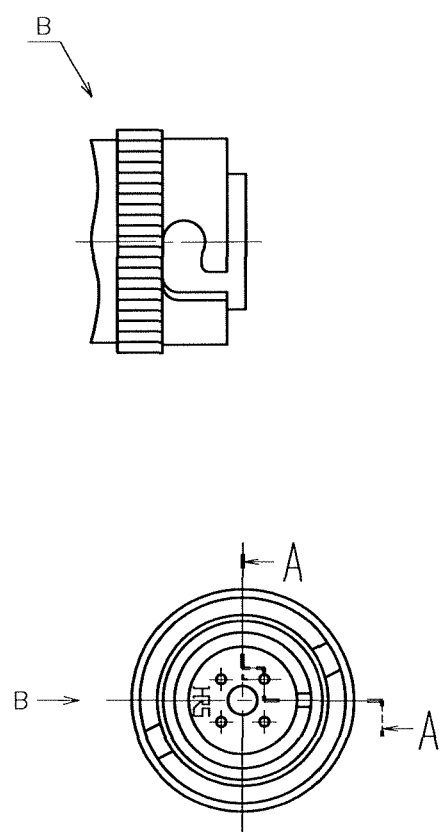
TO
R

COUNT	DESCRIPTION OF REVISIONS	BY	CHKD	DATE	COUNT	DESCRIPTION OF REVISIONS	BY	CHKD	DATE
△					△				
△					△				
APPLICABLE STANDARD									
RATING	OPERATING TEMPERATURE RANGE	-25 °C TO +85 °C			STORAGE TEMPERATURE RANGE	-10 °C TO +60 °C			
	VOLTAGE	AC 100 V, DC 140 V							
	CURRENT	1 A			APPLICABLE CABLE	φ 6			
SPECIFICATIONS									
ITEM		TEST METHOD			REQUIREMENTS			QT	AT
CONSTRUCTION									
GENERAL EXAMINATION		VISUALLY AND BY MEASURING INSTRUMENT.			ACCORDING TO DRAWING.			×	×
MARKING		CONFIRMED VISUALLY.						×	×
ELECTRIC CHARACTERISTICS									
CONTACT RESISTANCE	CONTACT SHALL BE MEASURED AT DC 1 A			10 mΩ MAX.			×	×	
	CONTACT SHALL BE MEASURED AT DC — A			— mΩ MAX.			—	—	
INSULATION RESISTANCE	100 V DC.			200 MΩ MIN.			×	×	
VOLTAGE PROOF	300 V AC FOR 1 min.			NO FLASHOVER OR BREAKDOWN.			×	×	
MECHANICAL CHARACTERISTICS									
CONTACT INSERTION AND WITHDRAWAL FORCES		— BY STEEL GAUGE.			INSERTION AND WITHDRAWAL FORCES: — N MIN.			—	—
CONNECTOR INSERTION AND WITHDRAWAL FORCES		MEASURED BY APPLICABLE CONNECTOR.			INSERTION AND WITHDRAWAL FORCES: 30 N MAX.			×	—
MECHANICAL OPERATION		1000 TIMES INSERTIONS AND EXTRACTIONS.			CONTACT RESISTANCE: 15 mΩ MAX.			×	—
					— RESISTANCE: — mΩ MAX.			—	—
VIBRATION		FREQUENCY 10 TO 55 Hz, SINGLE AMPLITUDE 0.75 mm, — m/s ² AT 2 h, FOR 3 DIRECTIONS.			① NO ELECTRICAL DISCONTINUITY OF 10 μs. ② NO DAMAGE, CRACK AND LOOSENESS, OF PARTS.			×	—
SHOCK		490 m/s ² DIRECTIONS OF PULSE 11 ms AT 3 TIMES FOR 3 DIRECTIONS.			① NO ELECTRICAL DISCONTINUITY OF 10 μs. ② NO DAMAGE, CRACK AND LOOSENESS, OF PARTS.			×	—
ENVIRONMENTAL CHARACTERISTICS									
DAMP HEAT (STEADY STATE)		EXPOSED AT 40 °C, 90 TO 95 %, 96 h.			① INSULATION RESISTANCE: 2 MΩ MIN (AT HIGH HUMIDITY). ② INSULATION RESISTANCE: 20 MΩ MIN (AT DRY). ③ NO DAMAGE, CRACK AND LOOSENESS OF PARTS.			×	—
RAPID CHANGE OF TEMPERATURE		TEMPERATURE -55 → R/T ⁰ → +85 → R/T °C TIME 30 → 10 TO 15 → 30 → 10 TO 15 min UNDER 5 CYCLES.			① INSULATION RESISTANCE: 200 MΩ MIN. ② NO DAMAGE, CRACK AND LOOSENESS OF PARTS.			×	—
CORROSION SALT MIST		EXPOSED IN 5 % SALT WATER SPRAY FOR 48 h.			NO HEAVY CORROSION.			×	—
DRY HEAT		EXPOSED AT + 85 °C, 96 h.			NO DAMAGE, CRACK AND LOOSENESS OF PARTS.			×	—
COLD		EXPOSED AT - 25 °C, 96 h.			NO DAMAGE, CRACK AND LOOSENESS OF PARTS.			×	—
RESISTANCE TO SOLDERING HEAT		SOLDER TEMPERATURE, + 350 °C, FOR SOLDERING DURATION, 3 ₀ ⁺¹ s.			NO DEFORMATION OF CASE OF EXCESSIVE LOOSENESS OF THE TERMINALS.			×	—
SOLDERABILITY		SOLDERED AT SOLDER TEMPERATURE, + 350 °C FOR SOLDERING DURATION, 2 TO 3 s.			WETTING ON SOLDER SURFACE. NO SOLDER CLUSTER.			×	—
REMARKS									
NOTE(1) R/T : ROOM TEMPERATURE					DRAWN	DESIGNED	CHECKED	APPROVED	RELEASED
Unless otherwise specified, refer to JIS C 5402.					H. Kawashima '05.11.21	H. Kawashima '05.11.21	J. Ohigama '05.11.25	M. Sato 05.11.26	
Note QT:Qualification Test AT:Assurance Test ×:Applicable Test									
HRS HIROSE ELECTRIC CO., LTD.				SPECIFICATION SHEET			PART NO. KMC9BPD-4P (71)		
CODE NO. (OLD) CL			DRAWING NO. ELC4-007488-71			CODE NO. CL110-0013-8-71			1 1



A
B
C
D
E
F

1 2 3 4



- NOTE:
- 1 THE RECOMMENDED TIGHTENING TORQUE, REF. NO. 8 : $1.5N \cdot m$.
 - 2 THE RECOMMENDED TIGHTENING TORQUE, REF. NO. 9 AND 10 : $0.3N \cdot m$.
 - 3 COATING WITH LOCTITE 242 MANUFACTURED BY HENKEL JAPAN OR EQUIVALENT IS RECOMMENDED TO PREVENT REF. NO. 1, 9 AND 10 FROM LOOSENING.
 - 4 ONE EXAMPLE OF THE ROTATION OF REF. NO. 4 AND 8 TO REF. NO. 1 IS SHOWN.
 - 5 SURFACE PLATING : GOLD PLATING $2\mu m$ min.
UNDER PLATING : NICKEL PLATING $3\mu m$ min.

TO
R

1 2 3 4

X-ON Electronics

Largest Supplier of Electrical and Electronic Components

Click to view similar products for [Standard Circular Connector](#) category:

Click to view products by [Hirose](#) manufacturer:

Other Similar products are found below :

[5M2530B10P](#) [600259N006](#) [600273N007](#) [6134-336-13149](#) [6134-337-11149](#) [6134-337-2390](#) [6134-341-17149](#) [6280-4SG-516](#) [6280-7SG-3DC](#)
[6290](#) [6291A](#) [66200A-10](#) [680-SMG](#) [681-PMG](#) [CXS3102A14S2P](#) [CXS3102A181S](#) [7251-6SG-300](#) [7271-6SG-300](#) [7282-3PG-300-CH3](#) [75-](#)
[474014-05S](#) [75-474618-01S](#) [75-474618-04S](#) [799539-000](#) [MI8-SE](#) [805-005-07NF11-19PC](#) [805-005-07NF15-7PA](#) [8280-4PG-516](#) [8280-7PG-](#)
[519](#) [8282-5PG-519](#) [836783-1](#) [MP-4102-25P-C](#) [862256-1](#) [864019-2](#) [866857-1](#) [867865-1](#) [PT01SP-14-18P](#) [PT08P-14-5S](#) [PTSF06SE-14-12S](#)
[120-1833-000](#) [QCM019PC2DC012B](#) [1-2069279-1](#) [121583-0217](#) [121667-0020](#) [129591AU](#) [1000B BULK](#) [RD10A16-19-P6CS051/1](#)
[RD10A20-31-P8CS051/1](#) [RD16A14-12-S6CS051/2](#) [1301240290](#) [1301240347](#) [1301860202](#)