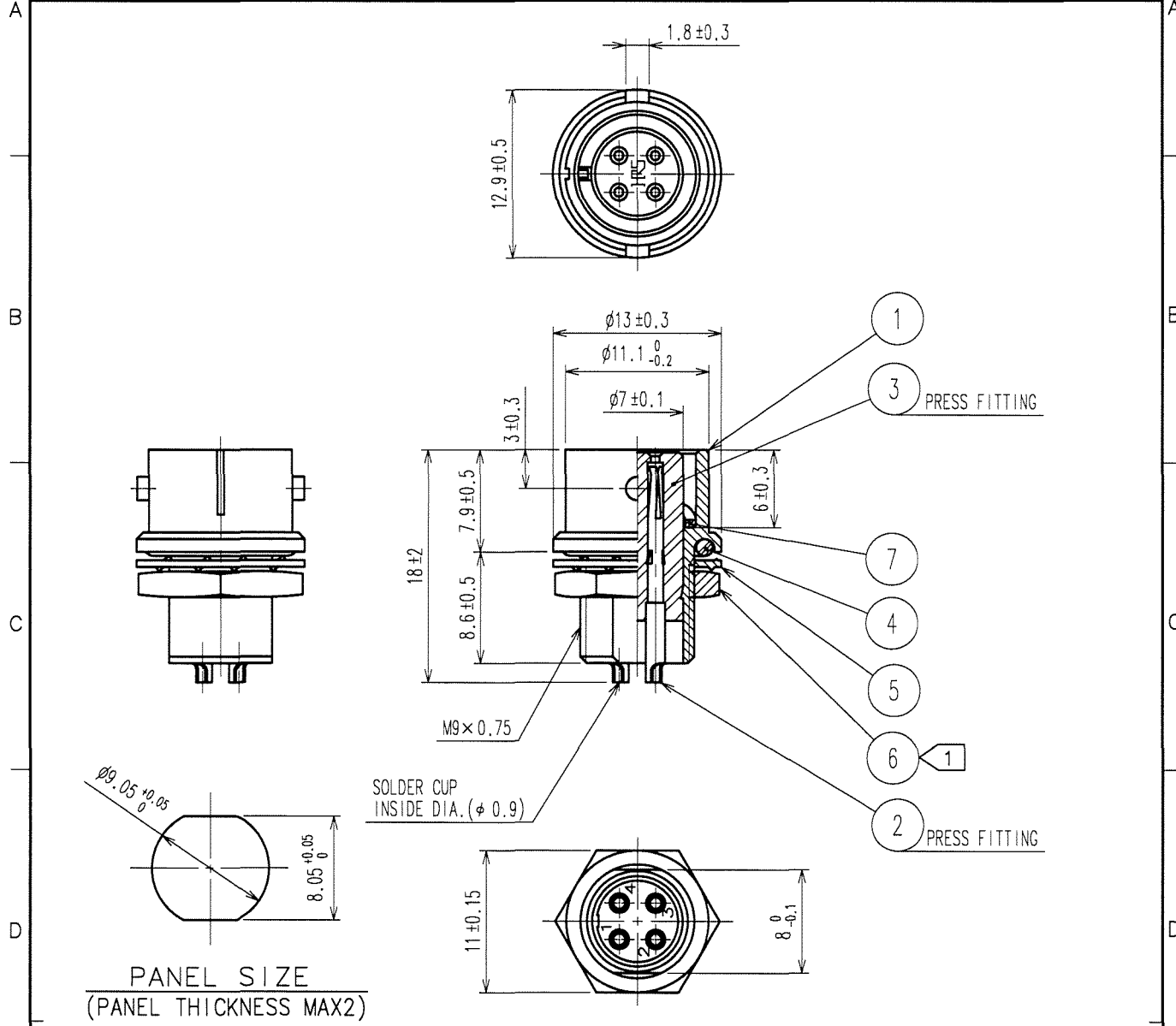




DRAWING FOR REFERENCE: This is subject to change without notice

2017/10/27 06:13:01 (JST) Hayley North

1		2			3			4		
COUNT	DESCRIPTION OF REVISIONS	BY	CHKD	DATE	COUNT	DESCRIPTION OF REVISIONS	BY	CHKD	DATE	
△					△					
△					△					
△					△					



NOTES ① THE RECOMMENDED TIGHTENING TORQUE OF REF.NO.⑥: 1.5 TO 2N·m  
 COATING WITH LOCTITE 242, HENKEL JAPAN OR EQUIVALENT IS  
 RECOMMENDED TO PREVENT REF.NO.⑥ FROM LOOSENING.  
 ② SURFACE PLATING: GOLD PLATING 2μm min.  
 UNDER PLATING : NICKEL PLATING 3μm min.

4	CR	(BLACK)			
3	POLYACETAL	(WHITE)	7	BERYLLIUM COPPER	NICKEL PLATING
2	PHOSPHOR BRONZE	②	6	STEEL	NICKEL PLATING
1	ZINC ALLOY	NICKEL PLATING	5	STEEL	NICKEL PLATING
NO.	MATERIAL	FINISH, REMARKS	NO.	MATERIAL	FINISH, REMARKS

CODE NO. (OLD)		DRAWN	DESIGNED	CHECKED	APPROVED	RELEASED
		H. Kawashima	H. Kawashima	T. Akiyama	M. Sato	
		06.1.31	06.1.31	06.1.31	06.1.31	
DRAWING NO. EDC4-007490-75			PART NO. KMC9BRD-4S(75)			
UNITS mm			CODE NO. CL110-0015-3-75			1/1

TO
R

## X-ON Electronics

Largest Supplier of Electrical and Electronic Components

*Click to view similar products for [Standard Circular Connector](#) category:*

*Click to view products by [Hirose](#) manufacturer:*

Other Similar products are found below :

[5M2530B10P](#) [600259N006](#) [600273N007](#) [6134-336-13149](#) [6134-337-11149](#) [6134-337-2390](#) [6134-341-17149](#) [6280-4SG-516](#) [6280-7SG-3DC](#)  
[6290](#) [6291A](#) [66200A-10](#) [680-SMG](#) [681-PMG](#) [CXS3102A14S2P](#) [CXS3102A181S](#) [7251-6SG-300](#) [7271-6SG-300](#) [7282-3PG-300-CH3](#) [75-](#)  
[474014-05S](#) [75-474618-01S](#) [75-474618-04P](#) [75-474618-04S](#) [799539-000](#) [MI8-SE](#) [805-005-07NF11-19PC](#) [805-005-07NF15-7PA](#) [8280-4PG-](#)  
[516](#) [8280-7PG-519](#) [8282-5PG-519](#) [836783-1](#) [MP-4102-25P-C](#) [862256-1](#) [864019-2](#) [866857-1](#) [867865-1](#) [PT01SP-14-18P](#) [PT08P-14-5S](#)  
[PTSF06SE-14-12S](#) [120-1833-000](#) [QCM019PC2DC012B](#) [1-2069279-1](#) [121583-0217](#) [121667-0020](#) [129591AU](#) [1000B BULK](#) [RD10A16-19-](#)  
[P6CS051/1](#) [RD10A20-31-P8CS051/1](#) [RD16A14-12-S6CS051/2](#) [1301240290](#) [1301240347](#)