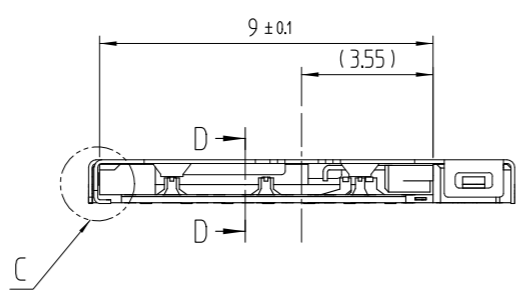
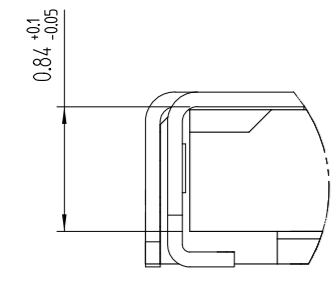
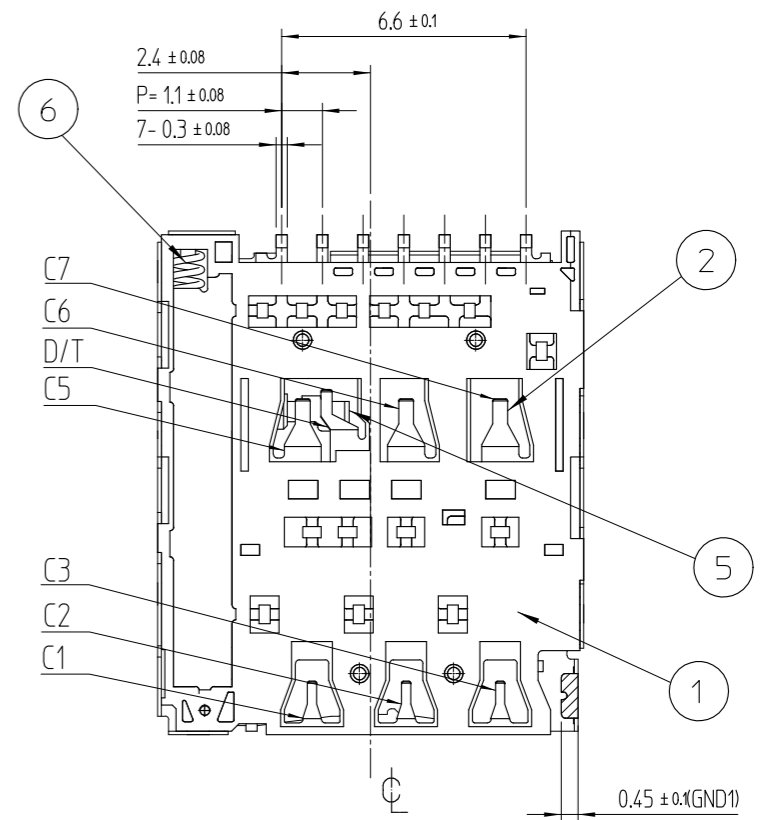
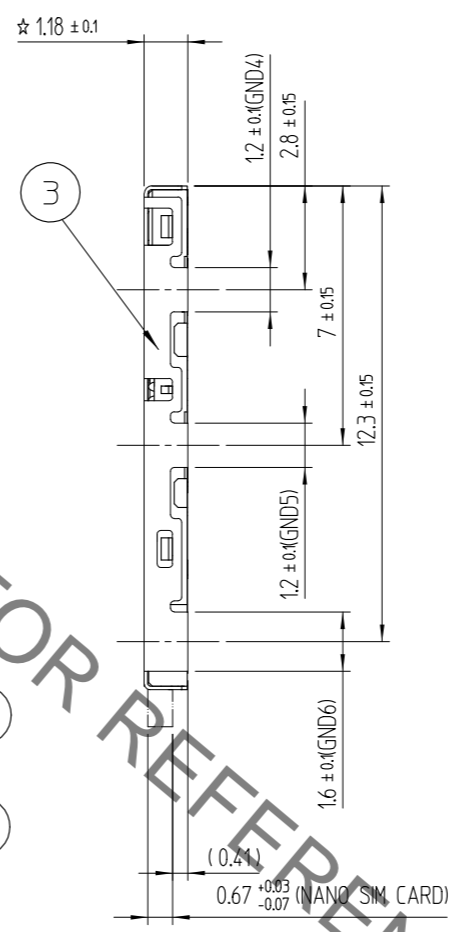
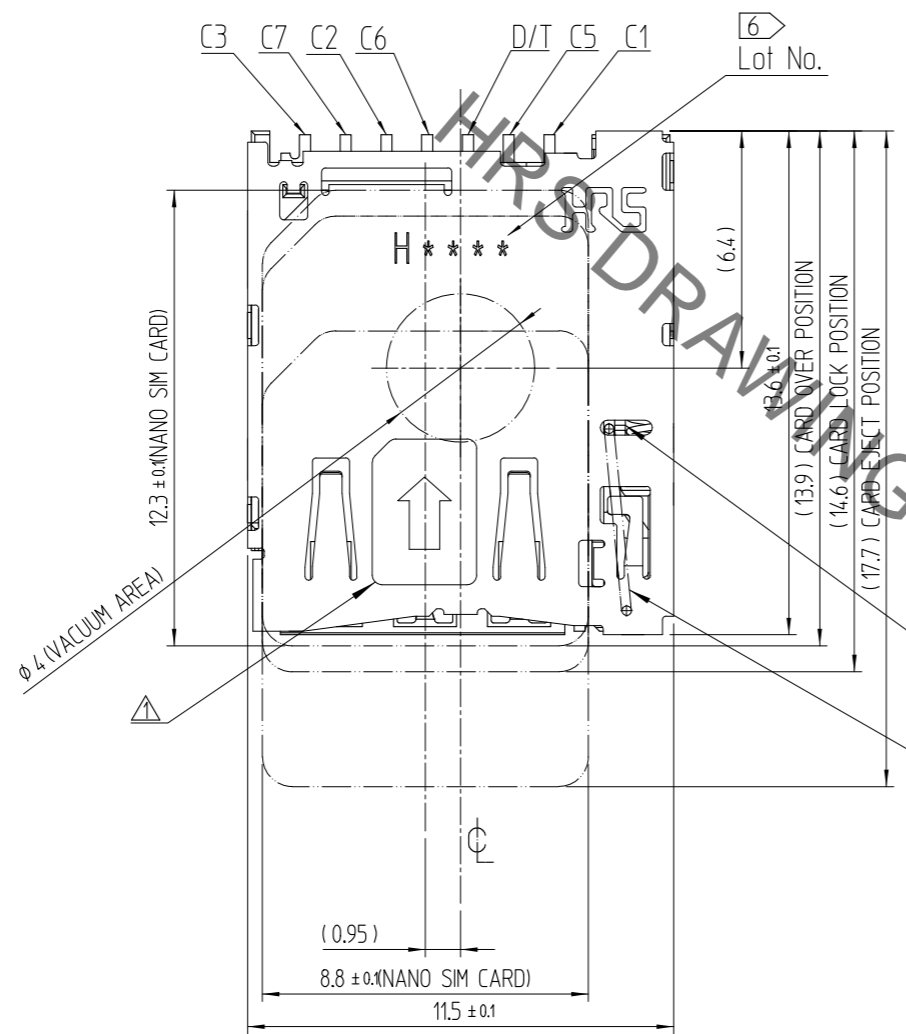
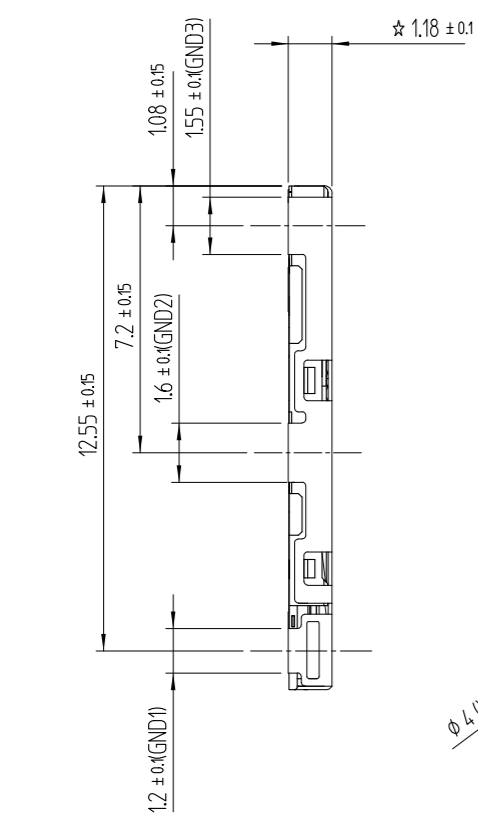


Aug.1.2021 Copyright 2021 HIROSE ELECTRIC CO., LTD. All Rights Reserved.
In case of consideration for using Automotive equipment / device which demand high reliability, kindly contact our sales window correspondents.

REFERENCE DRAWING

△數 COUNT	訂正事項 DISCRPTION OF REVISIONS	擔當 B Y	檢圖 CHKD	年月日 DATE	△數 COUNT	訂正事項 DISCRPTION OF REVISIONS	擔當 B Y	檢圖 CHKD	年月日 DATE
2	RE-5-1869	Y.K.G	A.B.H	18. 01. 15					
1	RE-5-2337	K.C.J	A.B.H	19. 12. 26					



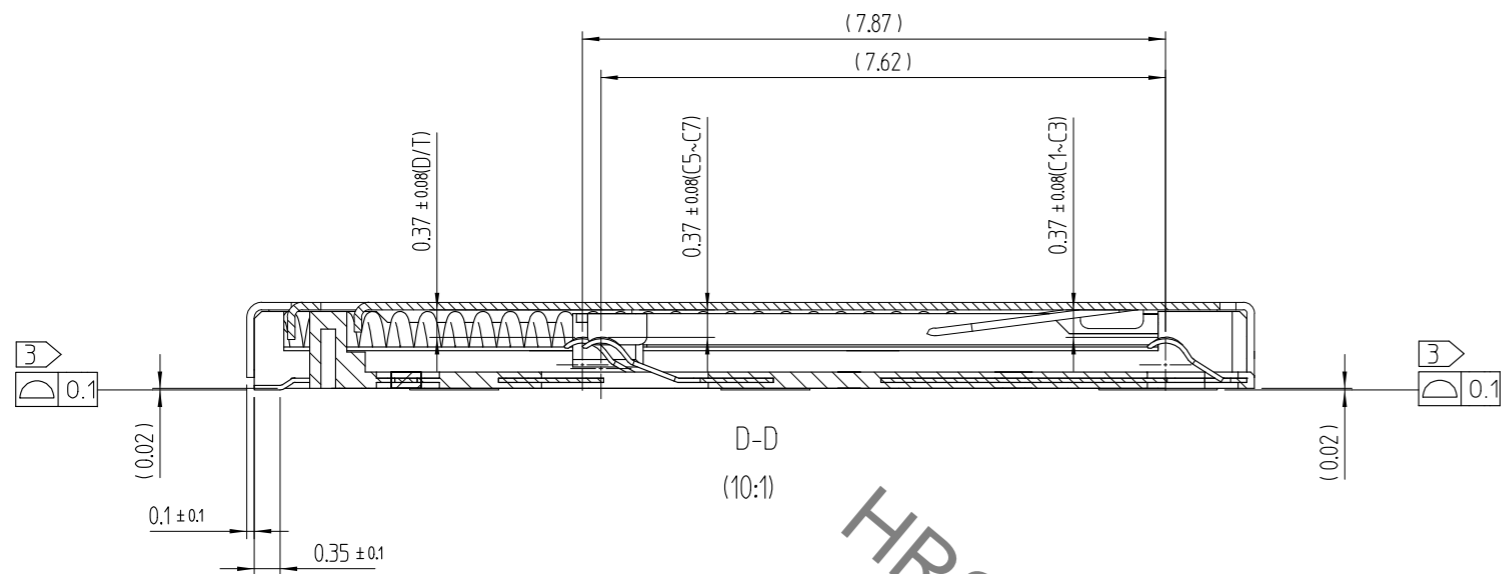
3	COVER	STAINLESS STEEL	MOUNTING: NIP + AuP	7	PIN	STAINLESS STEEL	-
2	SH-CONTACT	COPPER ALLOY	CONTACT: NIP + Pd-Ni + AuP MOUNTING: NIP + AuP	6	SPRING	STAINLESS STEEL	-
1	Ins.Base	LCP	BLACK / UL94-V0	5	EJECTOR PLATE	STAINLESS STEEL	-
NO.	PART	MATERIAL	FINISH,REMARKS	NO.	PART	MATERIAL	FINISH,REMARKS

CODE NO. (OLD)	DRAWN	DESIGNED	CHECKED	APPROVED	RELEASED
TITLE	C.K.KIM	C.K.KIM	J.H.CHOI	H.C.SONG	ENG 20.02.27 DEPT
	14.12.09	14.12.09	14.12.09	14.12.09	

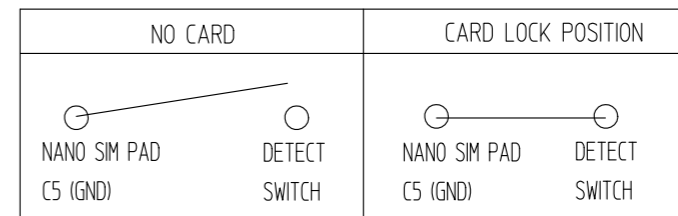
DRAWING NO.	EDC3-631768	PART NO.	KP13B-SF-PEJ(800)
SCALE	5:1	CODE NO.	CL 6530-0002-9-800
UNITS	mm		

1/3

Aug.1.2021 Copyright 2021 HIROSE ELECTRIC CO., LTD. All Rights Reserved.
In case of consideration for using Automotive equipment / device which demand high reliability, kindly contact our sales window correspondents.



NOTE 1. ☆ MARK IS C.T.Q (CRITICAL TO QUALITY) POINT
2. CARD DETECTION SWITCH



△3 CO-PLANARITY SHALL BE 0.1mm MAX

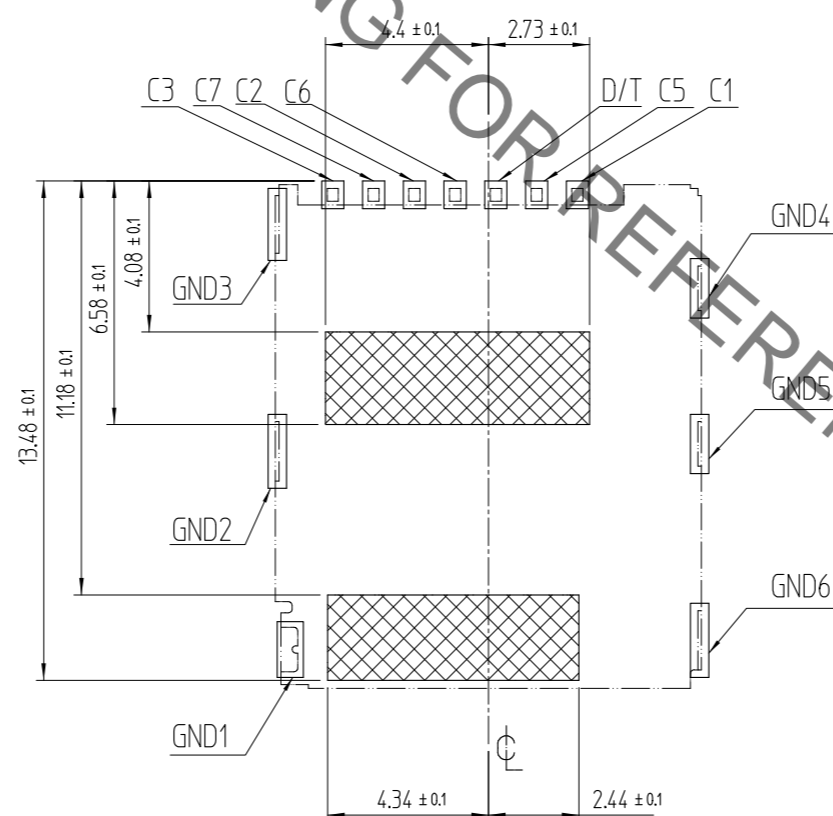
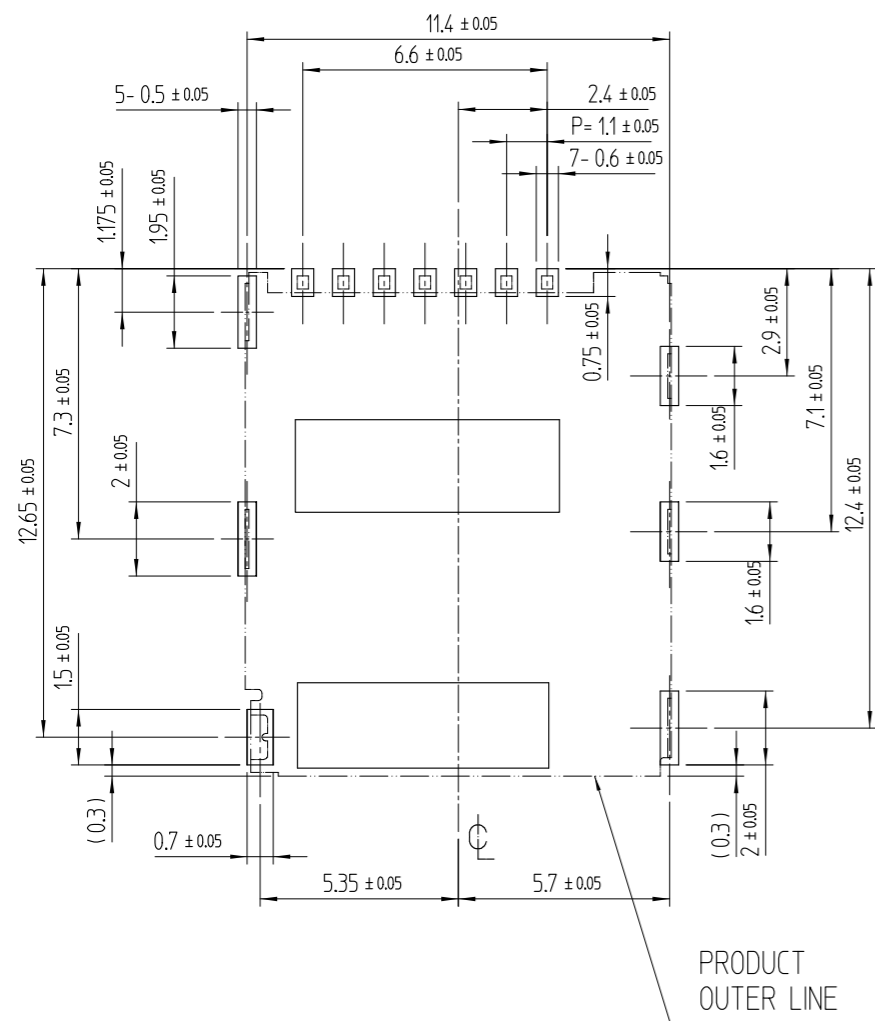
4 NO PATTERNS PERMITTED IN THIS OBLIQUE - HATCHED AREA

RECOMMENED P.C.B PATTERN LAYOUT (TOLERANCE : ± 0.05)

RECOMMEND METAL MASK THICKNESS : 0.12mm

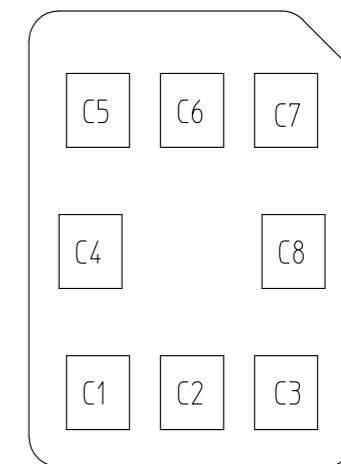
4 NO PATTERNS PERMITTED IN THIS OBLIQUE

TOLERANCE : ± 0.05



PIN No.	Name
C1	Vcc
C2	RST
C3	CLK
C4	Reserved
C5	GND
C6	Vpp
C7	I/O
C8	Reserved

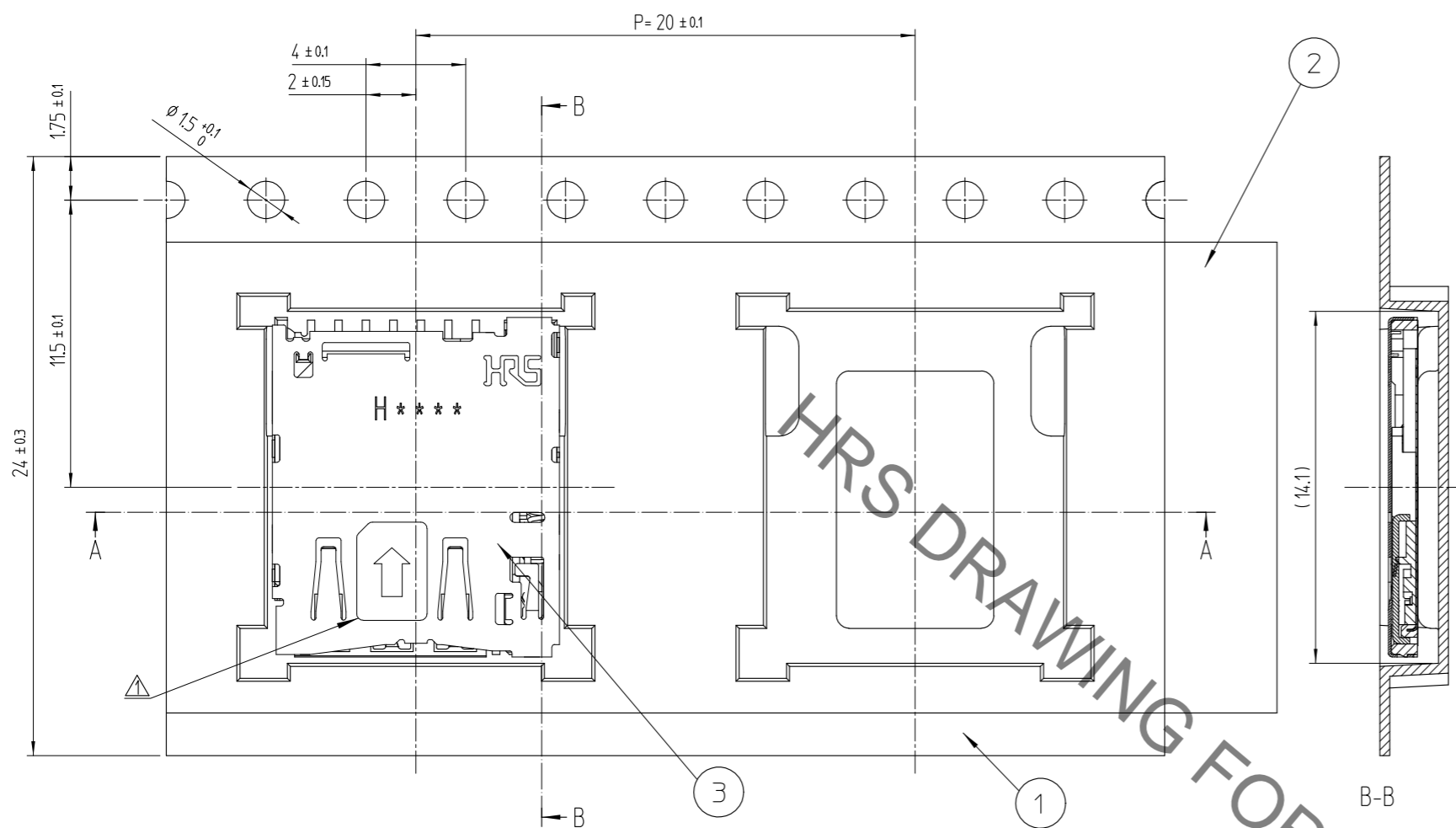
NANO SIM CARD ASSIGNMENT



NANO SIM CARD PAD LAY OUT

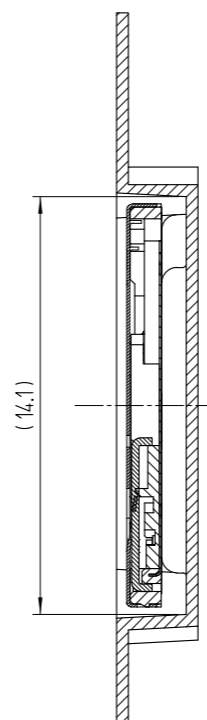
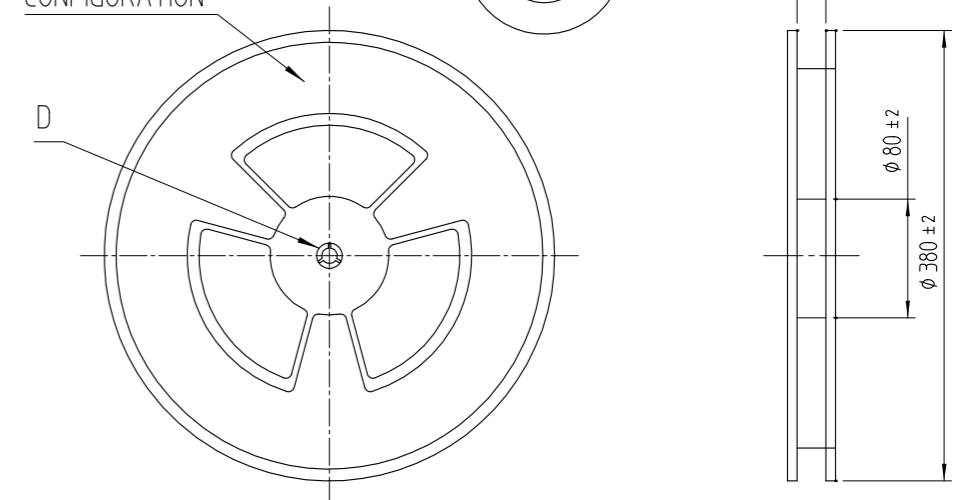
Aug.1.2021 Copyright 2021 HIROSE ELECTRIC CO., LTD. All Rights Reserved.
 In case of consideration for using Automotive equipment / device which demand high reliability, kindly contact our sales window correspondents.

5 DRAWING FOR PACKING



DETAIL OF REEL

REVISED CONFIGURATION

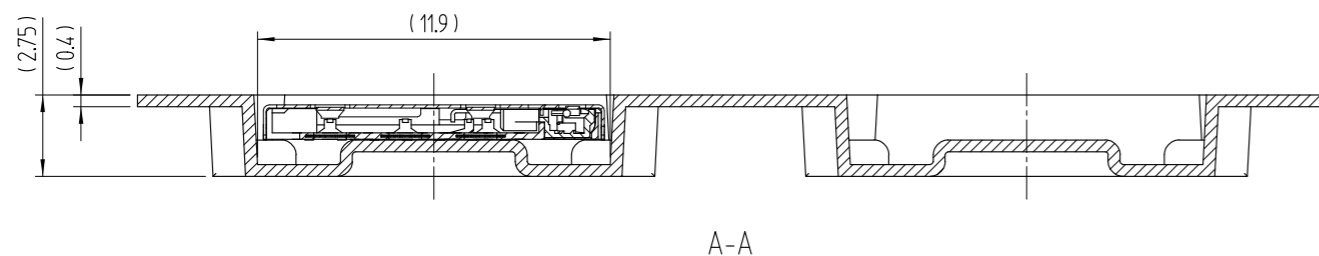


- 5 PACKING TYPE :TAPE AND 1,500PCS PER 1REEL .
- 6 MANUFACTURING DATE SYSTEM

H 6 1 26 1

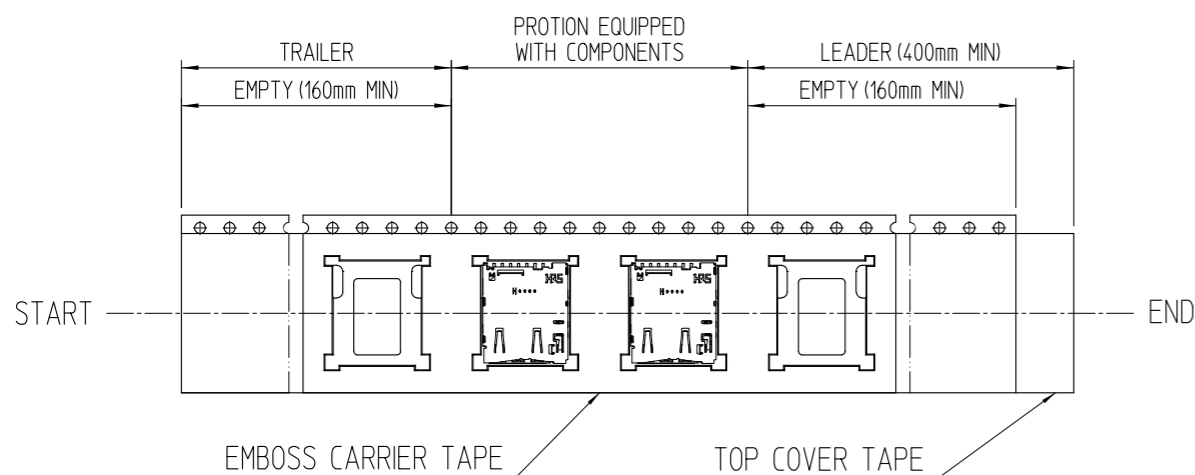
PRODUCTION LINE : LINE No.
 DATE : 26TH
 MONTH : JAN
 YEAR : 2016
 SUPPLIER : HIROSE KOREA

7 THE DIMENSIONS OF CUSTOMER DRAWING ARE INITIAL DIMENSIONS OF PRODUCT. NOT AFTER THE REFLOW.



6 TABLE.1

YEAR	MONTH		DATE						
YEAR	SYMBOL	MONTH	SYMBOL	DATE	SYMBOL	DATE	SYMBOL	DATE	SYMBOL
2016	6	Jan.	1	1	1	11	11	21	21
2017	7	Feb.	2	2	2	12	12	22	22
2018	8	Mar.	3	3	3	13	13	23	23
2019	9	Apr.	4	4	4	14	14	24	24
2020	0	May.	5	5	5	15	15	25	25
2021	1	Jun.	6	6	6	16	16	26	26
2022	2	Jul.	7	7	7	17	17	27	27
2023	3	Aug.	8	8	8	18	18	28	28
2024	4	Sep.	9	9	9	19	19	29	29
2025	5	Oct.	A	10	10	20	20	30	30
		Nov.	B					31	31
		Dec.	C						



3	(CONNECTOR)	
2	TOP COVER TAPE	POLYESTER
1	EMBOSS CARRIER TAPE	PS
No.	PART	MATERIAL
HRS HIROSE KOREA CO.,LTD.		圖番 DRAWING NO. EDC3-631768

X-ON Electronics

Largest Supplier of Electrical and Electronic Components

Click to view similar products for [Memory Card Connectors](#) category:

Click to view products by [Hirose](#) manufacturer:

Other Similar products are found below :

[M21-033321-005](#) [6407-249V-25273P](#) [6407-249V-25343P](#) [6426-201-21343](#) [69.920.0553.0](#) [FCN-568P068-G/07-4V](#) [809180410000000](#)
[N7E50-7516PG-20-WF](#) [21920-5](#) [2041353-2](#) [33CFAE-DN](#) [502431-1011](#) [EN2997S61212BN](#) [EN2997SE61212BN](#) [95622-003LF](#) [N7E50-](#)
[U516RB-50-SIN0005](#) [95079-00CALF](#) [84648-056HLF](#) [68-580163-21S](#) [33DVIR-29S12R](#) [125A-78C00](#) [MI20A-50PD-SF-EJL\(71\)](#) [KP10S-SF-](#)
[PEJ\(812\)](#) [504536-0691](#) [504580-0691](#) [CCM03-3109 B LFT](#) [2309923-1](#) [61126-050CAHLF](#) [IC1GA-68PD-1.27DS-EJ\(72\)](#) [GTFP08432B1HR](#)
[G85DT17001P1EU](#) [G85B21611142HHR](#) [GSD090144HR](#) [G85D1140022P1HR](#) [GMCB05801124EU](#) [112K-TAA0-RA1](#) [115S-ACA2](#) [115S-](#)
[ACA3](#) [115S-BS00](#) [115S-BT00](#) [115V-AD00](#) [MCSP-Q1-08-A-SG-T/R](#) [503960-0695](#) [101B-TAA0-R](#) [101D-TAAA-R01](#) [101D-TAAB-R01](#)
[104D-TCA0-R06](#) [104B-TAA0-R](#) [112C-TBAR-R02](#) [114B-40B00-R02](#)