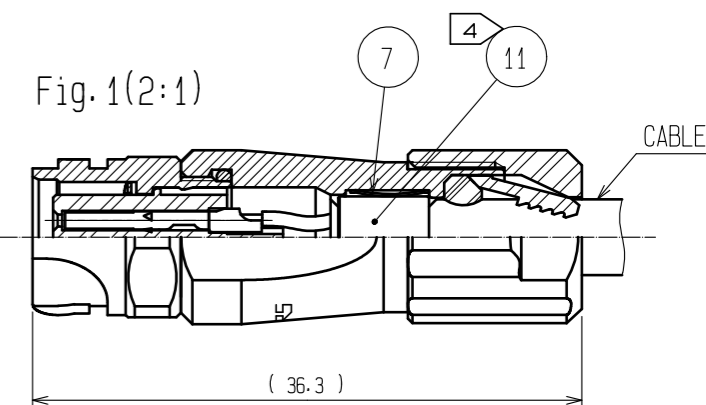
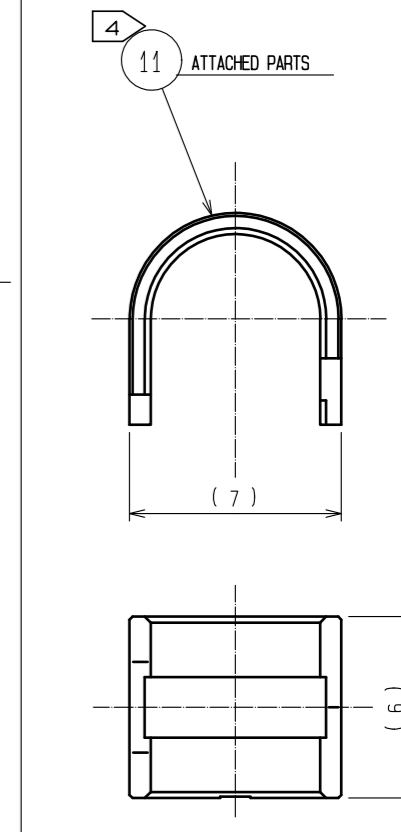
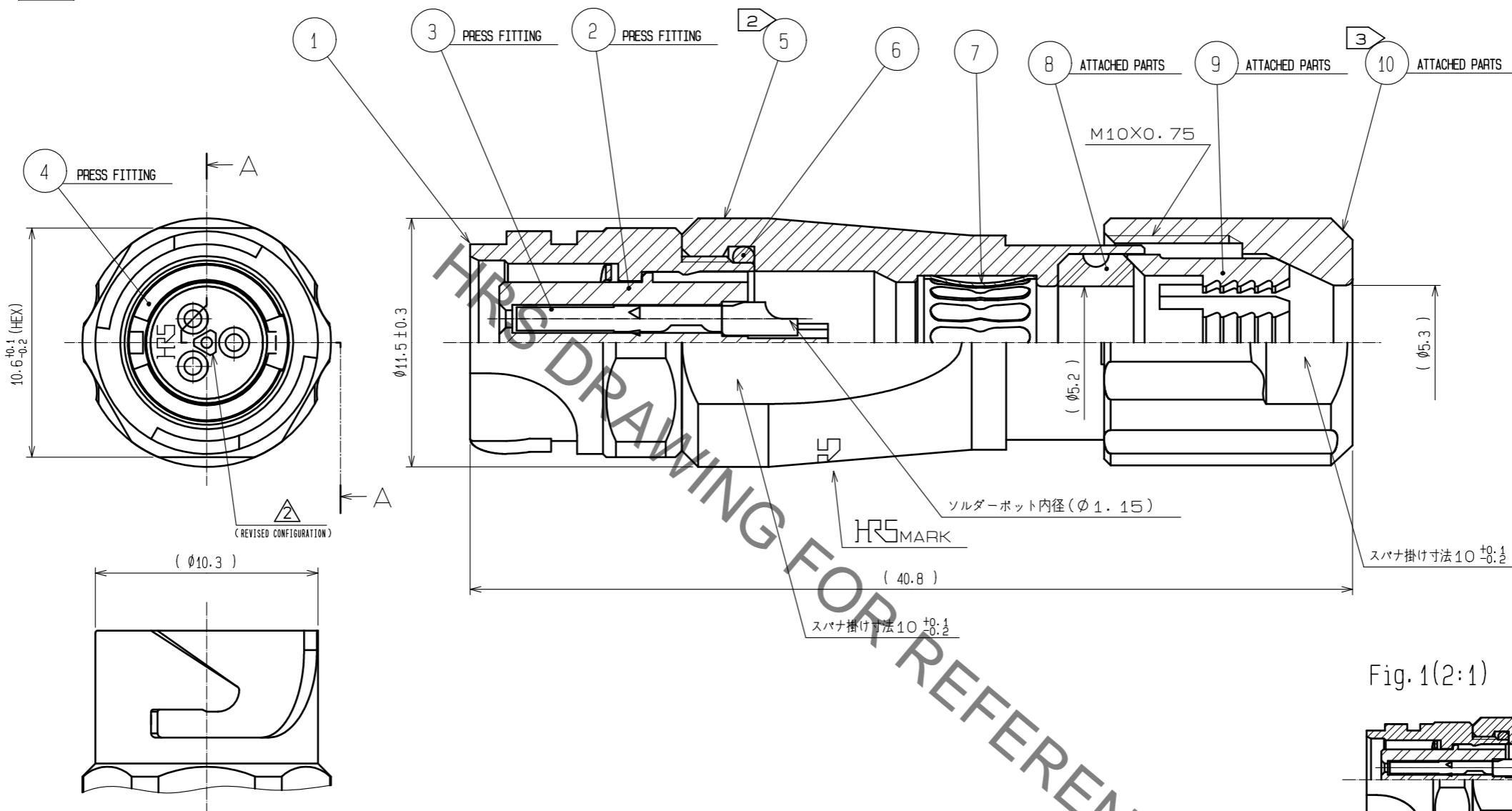
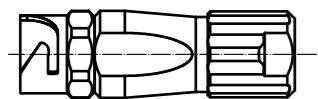


Sep.1.2021 Copyright 2021 HIROSE ELECTRIC CO., LTD. All Rights Reserved.
In case of consideration for using Automotive equipment / device which demand high reliability, kindly contact our sales window correspondents.

Fig.2(1:1)



- NOTES
- ① PLATING(REF.NO.③)
CONTACT AREA : GOLD 0.2μm min
OTHERS : GOLD AND NICKEL
UNDER PLATING : NICKEL 2μm min
 - ② THE RECOMMENDED CLAMP TORQUE OF REF.NO.⑤ TO BE 1 TO 1.5N·m.
THREAD LOCKER TO THE THREADED PORTION OF REF.NO.① IS RECOMMENDED TO PREVENT REF.NO.⑤ FROM LOOSING.
 - ③ THE RECOMMENDED CLAMP TORQUE OF REF.NO.⑩ TO BE 0.8 TO 1N·m.
THREAD LOCKER AND LOCK PRIMER TO THE THREADED PORTION M10X0.75 OF REF.NO.⑤ IS RECOMMENDED TO PREVENT REF.NO.⑩ FROM LOOSING.
 - ④ RECOMMENDED THREAD LOCKER AND LOCK PRIMER : LOCTITE 263, LOCK PRIMER 7649, HENKEL JAPAN LTD.
 - ④ FASTEN REF.NO.⑪ TO THE CABLE WITH THE CABLE CRIMPING TOOL.
AND MAKE REF.NO.⑪ CONTACT WITH REF.NO.⑦ (REFER TO Fig.1).
REFER TO THE TECHNICAL SPECIFICATION ATAD-C0099 FOR DETAILS.
APPLICABLE CABLE CRIMPING TOOL : HR10A-TC-02(CL150-0041-2)(THE HOLE DIAMETER FOR CRIMPING:φ5.3)
 - ⑤ Fig.2 SHOWS THE APPEARANCE AFTER ASSEMBLY.
 - ⑥ ROTATION EXAMPLES OF REF. NOS.⑤ AND⑩ TO ④ ARE SHOWN.
 - ⑦ APPLICABLE CABLE ASSEMBLY FIXTURE : LF07BJ-T01(CL150-0233-3)
CABLE ASSEMBLY FIXTURE IS USED AS A RECEPTACLE STAND OF EXTRACT
AND THE PART No.① OF AN ASSEMBLY.

NO.	MATERIAL	FINISH . REMARKS	NO.	MATERIAL	FINISH . REMARKS
6	CHLOROPRENE RUBBER	(BLACK)	11	BRASS	NICKEL PLATING
5	ZINC ALLOY	NICKEL PLATING	10	PPS	(NATURAL . BROWN) UL94V-0
4	PHOSPHOR BRONZE	NICKEL PLATING	9	POLYAMIDE	(NATURAL . MILKY WHITE) UL94V-0
3	COPPER ALLOY	①	8	CHLOROPRENE RUBBER	(BLACK)
2	PPS	(BLACK) UL94V-0	7	PHOSPHOR BRONZE	NICKEL PLATING
1	ZINC ALLOY	NICKEL PLATING			

UNITS	SCALE	COUNT	DESCRIPTION OF REVISIONS	DESIGNED	CHECKED	DATE
mm	4 : 1	3	DIS-C-00001700	HY. KISHI	HY. KOBAYASHI	17. 08. 11

APPROVED	MR. YOSHIDA	05. 01. 05	DRAWING NO.	EDC3-114151-00
CHECKED	MO. SATOH	05. 01. 05	PART NO.	LF07WBJ-3S
DESIGNED	YH. YAMADA	05. 01. 05	CODE NO.	CL136-2004-0-00
DRAWN	YH. YAMADA	05. 01. 05		

X-ON Electronics

Largest Supplier of Electrical and Electronic Components

Click to view similar products for [Standard Circular Connector](#) category:

Click to view products by [Hirose](#) manufacturer:

Other Similar products are found below :

[5M2530B10P](#) [600259N006](#) [600273N007](#) [6134-336-13149](#) [6134-337-11149](#) [6134-337-2390](#) [6134-341-17149](#) [6280-4SG-516](#) [6280-7SG-3DC](#)
[6290](#) [6291A](#) [66200A-10](#) [680-SMG](#) [681-PMG](#) [CXS3102A14S2P](#) [CXS3102A181S](#) [7251-6SG-300](#) [7271-6SG-300](#) [7282-3PG-300-CH3](#) [75-](#)
[474014-05S](#) [75-474618-01S](#) [75-474618-04P](#) [75-474618-04S](#) [799539-000](#) [MI8-SE](#) [805-005-07NF11-19PC](#) [805-005-07NF15-7PA](#) [8280-4PG-](#)
[516](#) [8280-7PG-519](#) [8282-5PG-519](#) [836783-1](#) [MP-4102-25P-C](#) [862256-1](#) [864019-2](#) [866857-1](#) [867865-1](#) [PT01SP-14-18P](#) [PT08P-14-5S](#)
[PTSF06SE-14-12S](#) [120-1833-000](#) [QCM019PC2DC012B](#) [1-2069279-1](#) [121583-0217](#) [121667-0020](#) [129591AU](#) [1000B BULK](#) [RD10A16-19-](#)
[P6CS051/1](#) [RD10A20-31-P8CS051/1](#) [RD16A14-12-S6CS051/2](#) [1301240290](#) [1301240347](#)