

Sep.1.2021 Copyright 2021 HIROSE ELECTRIC CO., LTD. All Rights Reserved.  
In case of consideration for using Automotive equipment / device which demand high reliability, kindly contact our sales window correspondents.

COUNT	DESCRIPTION OF REVISIONS	BY	CHKD	DATE	COUNT	DESCRIPTION OF REVISIONS	BY	CHKD	DATE
5	DIS-C-000083	H.Z	K.E	06.06.16					

Fig.2(1:1)

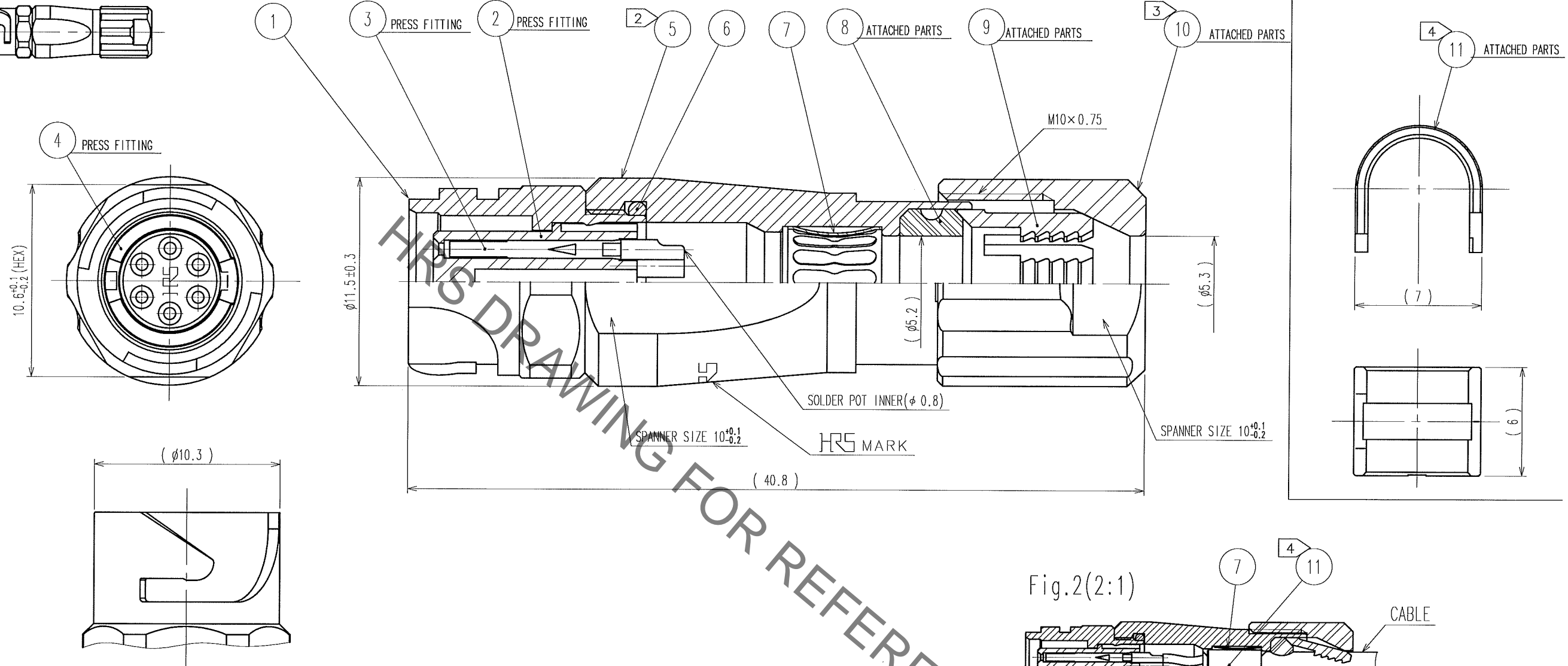
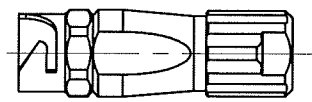
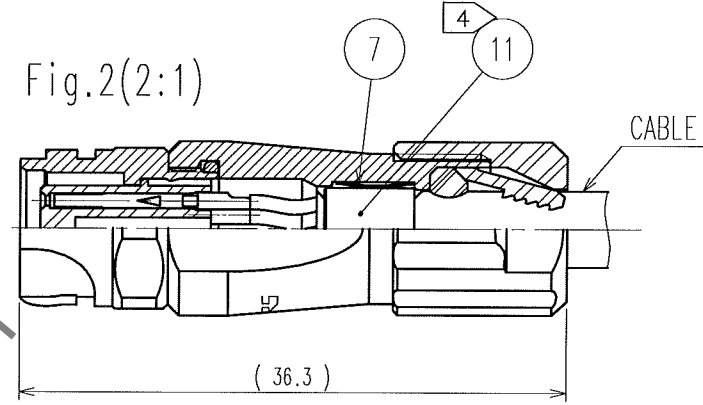


Fig.2(2:1)



- NOTES
- ① PLATING(REF.NO. ③)  
CONTACT AREA : GOLD 0.2μ m min  
OTHERS : GOLD AND NICKEL  
UNDER PLATING : NICKEL 2μ m min
  - ② THE RECOMMENDED CLAMP TORQUE OF REF.NO. ⑤ TO BE 1 TO 1.5N · m.  
THREAD LOCKER TO THE THREADED PORTION OF REF.NO. ① IS RECOMMENDED TO PREVENT REF.NO. ⑤ FROM LOOSING.  
RECOMMENDED THREAD LOCKER:LOCTITE 271, HENKEL JAPAN LTD.
  - ③ THE RECOMMENDED CLAMP TORQUE OF REF.NO. ⑩ TO BE 0.8 TO 1N · m.  
THREAD LOCKER AND LOCK PRIMER TO THE THREADED PORTION M10×0.75 OF REF.NO. ⑤ IS RECOMMENDED TO PREVENT REF.NO. ⑩ FROM LOOSING.  
RECOMMENDED THREAD LOCKER AND LOCK PRIMER : LOCTITE 271, LOCK PRIMER 7649, HENKEL JAPAN LTD.
  - ④ FASTEN REF.NO. ⑪ TO THE CABLE WITH THE CABLE CRIMPING TOOL.  
AND MAKE REF.NO. ⑪ CONTACT WITH REF.NO. ⑦ (REFER TO Fig.1).  
REFER TO THE TECHNICAL SPECIFICATION ATAD-C0099 FOR DETAILS.  
APPLICABLE CABLE CRIMPING TOOL : HR10A-TC-02(CL150-0041-2)(THE HOLE DIAMETER FOR CRIMPING:φ 5.3)
  - ⑤ Fig.2 SHOWS THE APPEARANCE AFTER ASSEMBLY.
  - ⑥ ROTATION EXAMPLES OF REF. NOS. ⑤ AND ⑩ TO ① ARE SHOWN.
  - ⑦ APPLICABLE CABLE ASSEMBLY FIXTURE : LF07BJ-T01(CL150-0233-3)  
CABLE ASSEMBLY FIXTURE IS USED AS A RECEPTACLE STAND OF EXTRACT AND THE PART No. ① OF AN ASSEMBLY.

6	CHLOROPRENE RUBBER (BLACK)				
5	ZINC ALLOY	NICKEL PLATING	11	BRASS	NICKEL PLATING
4	PHOSPHOR BRONZE	NICKEL PLATING	① 10	PPS	(NATURAL, BROWN) UL94V-0
3	PHOSPHOR BRONZE	①	① 9	POLYAMIDE	(NATURAL, MILKY WHITE) UL94V-0
2	PPS	(BLACK) UL94V-0	8	CHLOROPRENE RUBBER (BLACK)	
1	ZINC ALLOY	NICKEL PLATING	7	PHOSPHOR BRONZE	NICKEL PLATING
NO.	MATERIAL	FINISH, REMARKS	NO.	MATERIAL	FINISH, REMARKS

CODE NO. (OLD) CL		DRAWN H. ZEMBA 040829	DESIGNED H. ZEMBA 040829	CHECKED M. SATO 040831	APPROVED M. YOSHIDA 040901	RELEASED ..
DRAWING NO. EDC3-114064		PART NO. LF07WBJ-6S		CODE NO. CL136-2002-5		
SCALE 4 : 1		UNITS mm		HRS HIROSE ELECTRIC CO., LTD		

## X-ON Electronics

Largest Supplier of Electrical and Electronic Components

*Click to view similar products for [Standard Circular Connector](#) category:*

*Click to view products by [Hirose](#) manufacturer:*

Other Similar products are found below :

[5M2530B10P](#) [600259N006](#) [600273N007](#) [6134-336-13149](#) [6134-337-11149](#) [6134-337-2390](#) [6134-341-17149](#) [6280-4SG-516](#) [6280-7SG-3DC](#)  
[6290](#) [6291A](#) [66200A-10](#) [680-SMG](#) [681-PMG](#) [CXS3102A14S2P](#) [CXS3102A181S](#) [7251-6SG-300](#) [7271-6SG-300](#) [7282-3PG-300-CH3](#) [75-](#)  
[474014-05S](#) [75-474618-01S](#) [75-474618-04S](#) [799539-000](#) [MI8-SE](#) [805-005-07NF11-19PC](#) [805-005-07NF15-7PA](#) [8280-4PG-516](#) [8280-7PG-](#)  
[519](#) [8282-5PG-519](#) [836783-1](#) [MP-4102-25P-C](#) [862256-1](#) [864019-2](#) [866857-1](#) [867865-1](#) [PT01SP-14-18P](#) [PT08P-14-5S](#) [PTSF06SE-14-12S](#)  
[120-1833-000](#) [QCM019PC2DC012B](#) [1-2069279-1](#) [121583-0217](#) [121667-0020](#) [129591AU](#) [1000B BULK](#) [RD10A16-19-P6CS051/1](#)  
[RD10A20-31-P8CS051/1](#) [RD16A14-12-S6CS051/2](#) [1301240290](#) [1301240347](#) [1301860202](#)