

Sep.1.2021 Copyright 2021 HIROSE ELECTRIC CO., LTD. All Rights Reserved.  
In case of consideration for using Automotive equipment / device which demand high reliability, kindly contact our sales window correspondents.

Fig.2(1:1)

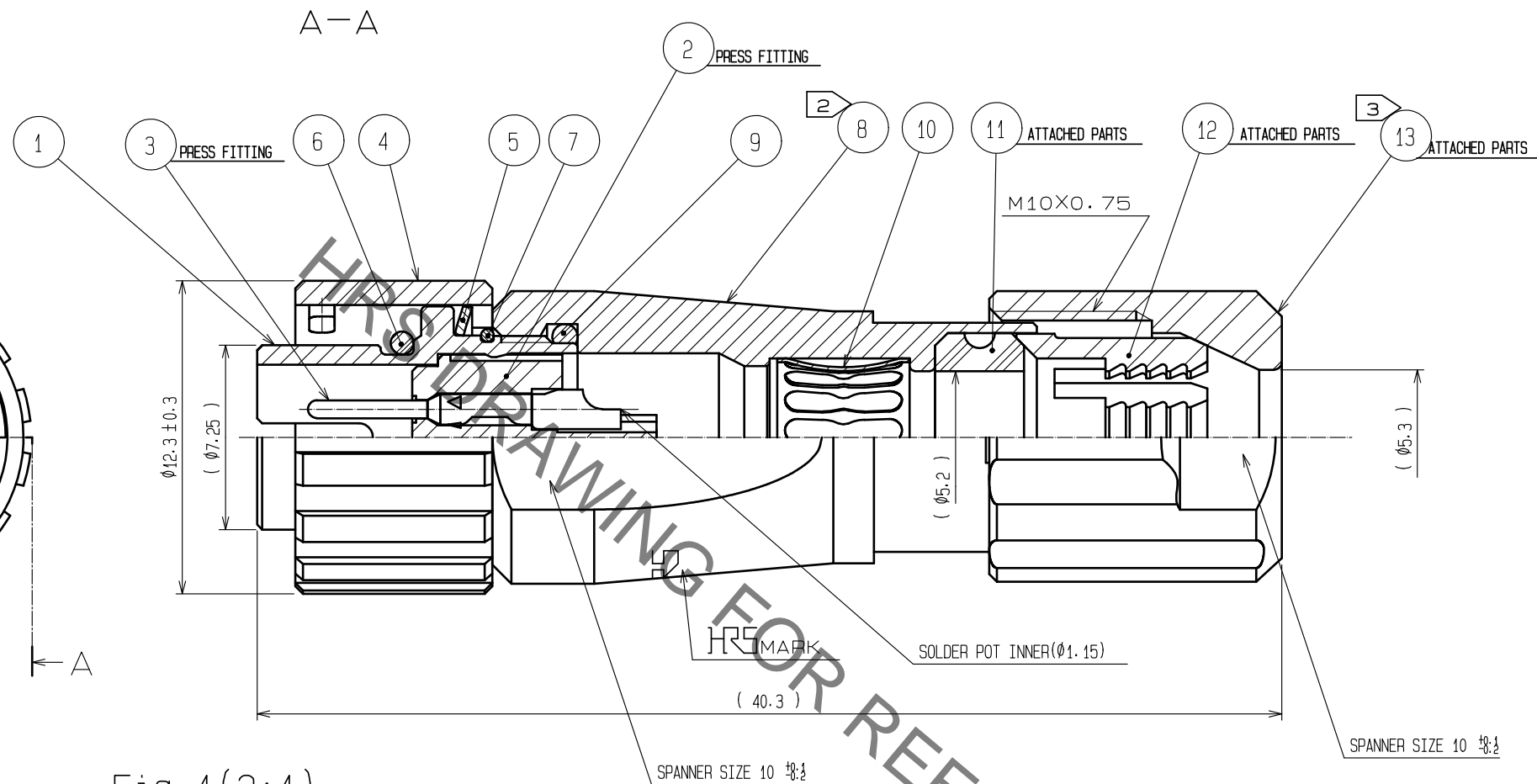
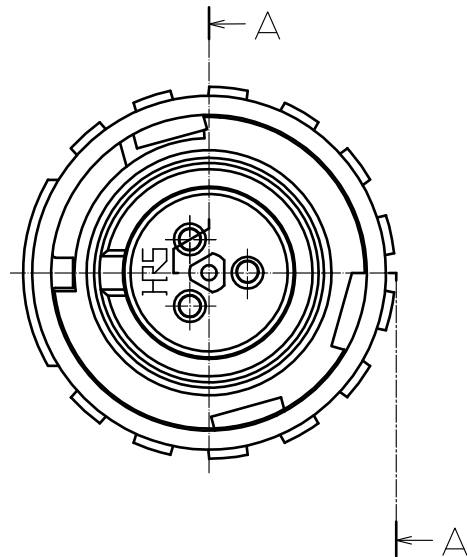
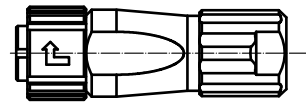
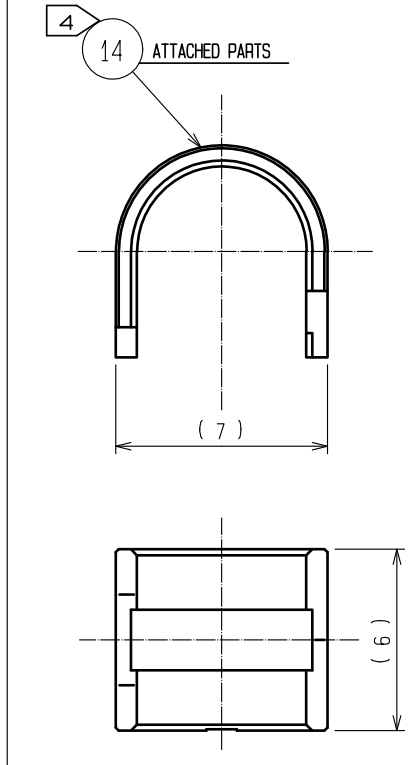
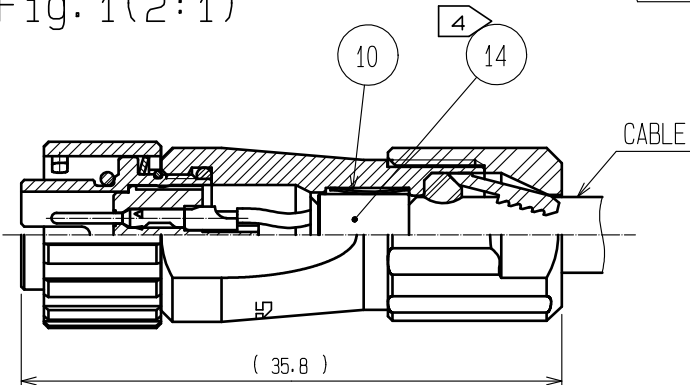


Fig.1(2:1)



- NOTES
- ① PLATING(REF.NO.③)  
CONTACT AREA : GOLD 0.2#m min  
OTHERS : GOLD AND NICKEL  
UNDER PLATING : NICKEL 2#m min
  - ② THE RECOMMENDED CLAMP TORQUE OF REF.NO.⑧ TO BE 1 TO 1.5N·m.  
THREAD LOCKER TO THE THREADED PORTION OF REF.NO.① IS RECOMMENDED TO PREVENT REF.NO.⑧ FROM LOOSING.  
RECOMMENDED THREAD LOCKER:LOCTITE 263, HENKEL JAPAN LTD.
  - ③ THE RECOMMENDED CLAMP TORQUE OF REF.NO.⑬ TO BE 0.8N·m.  
THREAD LOCKER AND LOCK PRIMER TO THE THREADED PORTION M10X0.75 OF REF.NO.⑧ IS RECOMMENDED TO PREVENT REF.NO.⑬ FROM LOOSING.  
RECOMMENDED THREAD LOCKER AND LOCK PRIMER : LOCTITE 263, LOCK PRIMER 7649, HENKEL JAPAN LTD.
  - ④ FASTEN REF.NO.⑭ TO THE CABLE WITH THE CABLE CRIMPING TOOL.  
AND MAKE REF.NO.⑭ CONTACT WITH REF.NO.⑩ (REFER TO Fig.1).  
REFER TO THE TECHNICAL SPECIFICATION ETAD-C0099 FOR DETAILS.  
APPLICABLE CABLE CRIMPING TOOL : HR10A-TC-02(THE HOLE DIAMETER FOR CRIMPING:φ5.3)
  - ⑤ Fig.2 SHOWS THE APPEARANCE AFTER ASSEMBLY.

NO.	MATERIAL	FINISH . REMARKS	NO.	MATERIAL	FINISH . REMARKS
7	STAINLESS STEEL		14	BRASS	NICKEL PLATING
6	CHLOROPRENE RUBBER	(BLACK)	13	PPS	(NATURAL) UL94V-0
5	STAINLESS STEEL		12	POLYAMIDE	(NATURAL) UL94V-0
4	ZINC ALLOY	NICKEL PLATING	11	CHLOROPRENE RUBBER	(BLACK)
3	COPPER ALLOY	①	10	PHOSPHOR BRONZE	NICKEL PLATING
2	PPS	(BLACK) UL94V-0	9	CHLOROPRENE RUBBER	(BLACK)
1	ZINC ALLOY	NICKEL PLATING	8	ZINC ALLOY	NICKEL PLATING

UNITS	SCALE	COUNT	DESCRIPTION OF REVISIONS	DESIGNED	CHECKED	DATE
mm	4 : 1	△				
APPROVED : HY. KOBAYASHI			18.02.21	DRAWING NO. EDC-114147-31-00		
CHECKED : HY. KOBAYASHI			18.02.21	PART NO. LF07WBP-3P(31)		
DESIGNED : TY. SUZUKI			18.02.21	CODE NO. CL136-0004-0-31		
DRAWN : HM. SAITO			18.02.21	1/1		

## X-ON Electronics

Largest Supplier of Electrical and Electronic Components

*Click to view similar products for [Standard Circular Connector](#) category:*

*Click to view products by [Hirose](#) manufacturer:*

Other Similar products are found below :

[5M2530B10P](#) [600259N006](#) [600273N007](#) [6134-336-13149](#) [6134-337-11149](#) [6134-337-2390](#) [6134-341-17149](#) [6280-4SG-516](#) [6280-7SG-3DC](#)  
[6290](#) [6291A](#) [66200A-10](#) [680-SMG](#) [681-PMG](#) [CXS3102A14S2P](#) [CXS3102A181S](#) [7251-6SG-300](#) [7271-6SG-300](#) [7282-3PG-300-CH3](#) [75-](#)  
[474014-05S](#) [75-474618-01S](#) [75-474618-04S](#) [799539-000](#) [MI8-SE](#) [805-005-07NF11-19PC](#) [805-005-07NF15-7PA](#) [8280-4PG-516](#) [8280-7PG-](#)  
[519](#) [8282-5PG-519](#) [836783-1](#) [MP-4102-25P-C](#) [862256-1](#) [864019-2](#) [866857-1](#) [867865-1](#) [PT01SP-14-18P](#) [PT08P-14-5S](#) [PTSF06SE-14-12S](#)  
[120-1833-000](#) [QCM019PC2DC012B](#) [1-2069279-1](#) [121583-0217](#) [121667-0020](#) [129591AU](#) [1000B BULK](#) [RD10A16-19-P6CS051/1](#)  
[RD10A20-31-P8CS051/1](#) [RD16A14-12-S6CS051/2](#) [1301240290](#) [1301240347](#) [1301860202](#)