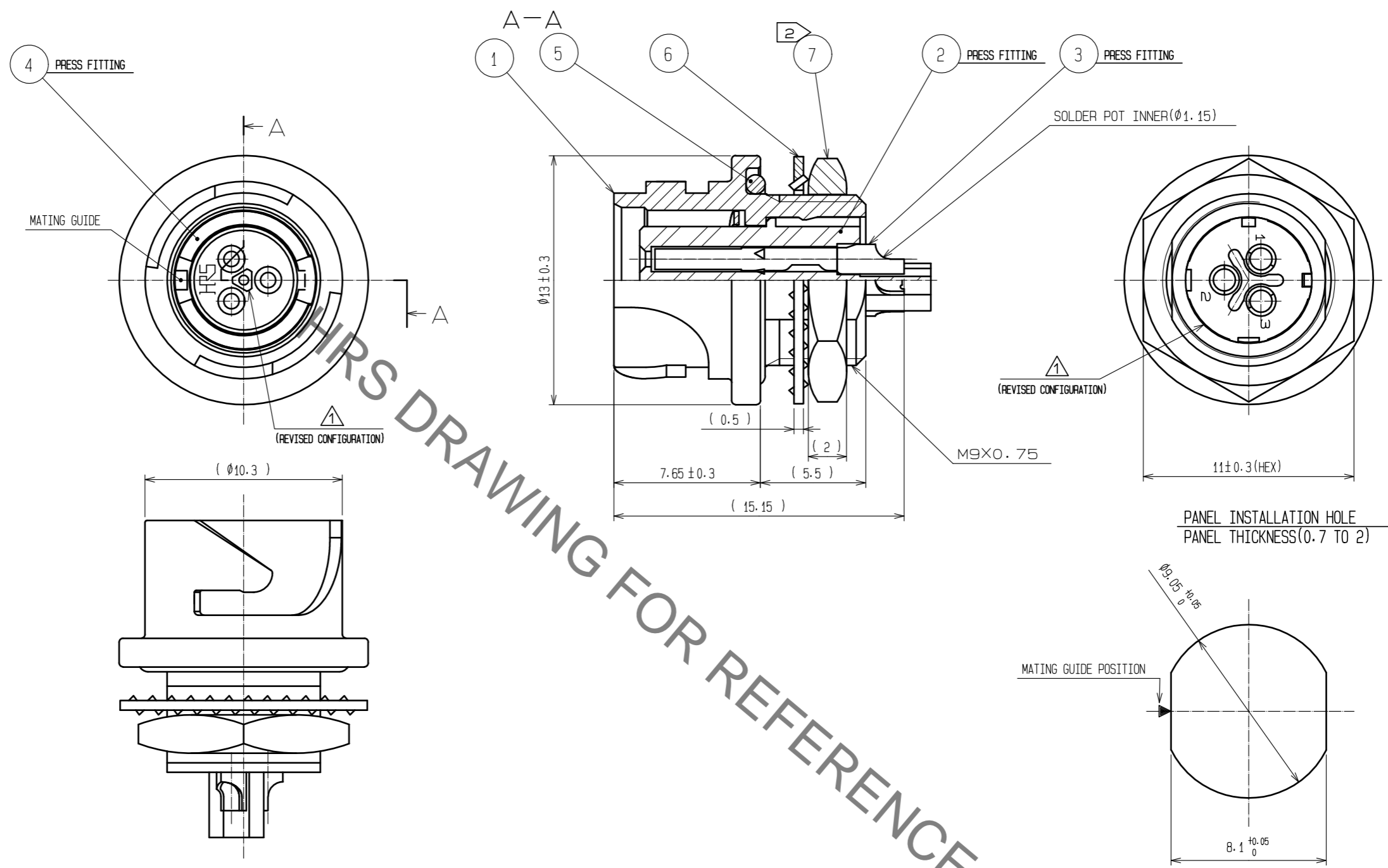


Sep.1.2021 Copyright 2021 HIROSE ELECTRIC CO., LTD. All Rights Reserved.
In case of consideration for using Automotive equipment / device which demand high reliability, kindly contact our sales window correspondents.



- NOTES
- ① PLATING(REF.NO.③)
CONTACT AREA : GOLD 0.2 μ m min
OTHERS : GOLD AND NICKEL
UNDER PLATING : NICKEL 2 μ m min
 - ② THE RECOMMENDED CLAMP TORQUE OF REF.NO. ⑦ TO BE 1.5 TO 2N·m.
THREAD LOCKER TO THE THREADED PORTION OF REF.NO.① IS RECOMMENDED TO PREVENT REF.NO. ⑦ FROM LOOSING.
 - ⚠ RECOMMENDED THREAD LOCKER:LOCTITE 263, HENKEL JAPAN LTD.
 - ③ WHEN THIS CONNECTOR IS MOUNTED ON TO PANEL, BE CAREFUL REF.NO. ⑤ IS ASSEMBLED SURELY INTO THE GROOVE OF REF.NO. ① AS SHOWN IN THIS FIGURE TO KEEP WATERPROOF EFFECTIVENESS.

NO.	MATERIAL	FINISH . REMARKS	NO.	MATERIAL	FINISH . REMARKS
4	PHOSPHOR BRONZE	NICKEL PLATING	7	STEEL	NICKEL PLATING
3	COPPER ALLOY	①	6	STEEL	NICKEL PLATING
2	PPS	(BLACK) UL94V-0	5	CHLOROPRENE RUBBER	(BLACK)
1	ZINC ALLOY	NICKEL PLATING			

UNITS	SCALE	COUNT	DESCRIPTION OF REVISIONS	DESIGNED	CHECKED	DATE
mm	4 : 1	3	DIS-C-00001698	HY. KISHI	HY. KOBAYASHI	17. 08. 11

APPROVED	MR. YOSHIDA	05. 01. 05	DRAWING NO.	EDC3-114149-00
CHECKED	MO. SATOH	05. 01. 05	PART NO.	LF07WBR-3S
DESIGNED	YH. YAMADA	05. 01. 05	CODE NO.	CL136-1004-5-00
DRAWN	YH. YAMADA	05. 01. 05		

X-ON Electronics

Largest Supplier of Electrical and Electronic Components

Click to view similar products for [Standard Circular Connector](#) category:

Click to view products by [Hirose](#) manufacturer:

Other Similar products are found below :

[5M2530B10P](#) [600259N006](#) [600273N007](#) [6134-336-13149](#) [6134-337-11149](#) [6134-337-2390](#) [6134-341-17149](#) [6280-4SG-516](#) [6280-7SG-3DC](#)
[6290](#) [6291A](#) [66200A-10](#) [680-SMG](#) [681-PMG](#) [CXS3102A14S2P](#) [CXS3102A181S](#) [7251-6SG-300](#) [7271-6SG-300](#) [7282-3PG-300-CH3](#) [75-](#)
[474014-05S](#) [75-474618-01S](#) [75-474618-04S](#) [799539-000](#) [MI8-SE](#) [805-005-07NF11-19PC](#) [805-005-07NF15-7PA](#) [8280-4PG-516](#) [8280-7PG-](#)
[519](#) [8282-5PG-519](#) [836783-1](#) [MP-4102-25P-C](#) [862256-1](#) [864019-2](#) [866857-1](#) [867865-1](#) [PT01SP-14-18P](#) [PT08P-14-5S](#) [PTSF06SE-14-12S](#)
[120-1833-000](#) [QCM019PC2DC012B](#) [1-2069279-1](#) [121583-0217](#) [121667-0020](#) [129591AU](#) [1000B BULK](#) [RD10A16-19-P6CS051/1](#)
[RD10A20-31-P8CS051/1](#) [RD16A14-12-S6CS051/2](#) [1301240290](#) [1301240347](#) [1301860202](#)