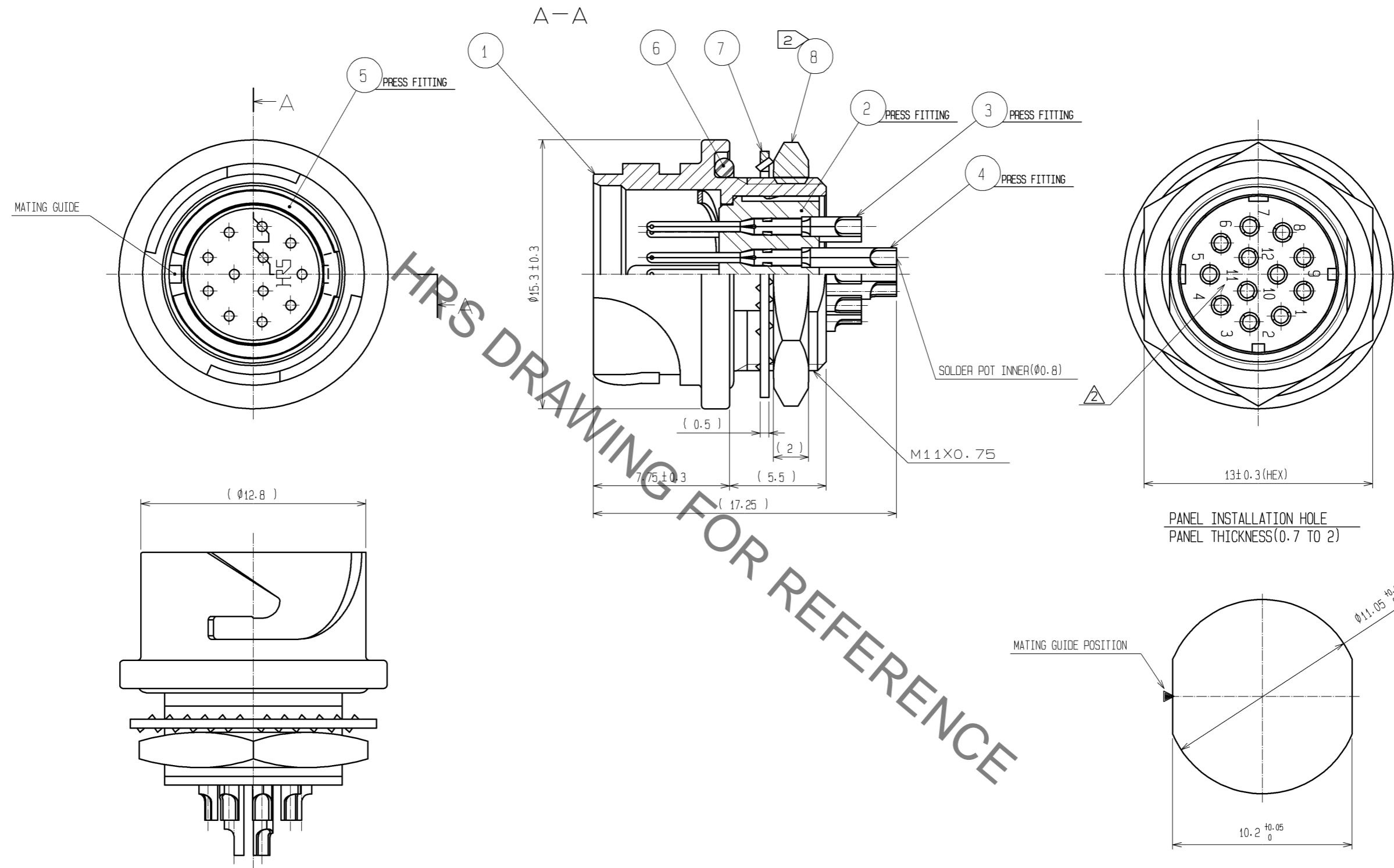


Sep.1.2021 Copyright 2021 HIROSE ELECTRIC CO., LTD. All Rights Reserved.
 In case of consideration for using Automotive equipment / device which demand high reliability, kindly contact our sales window correspondents.



HRS DRAWING FOR REFERENCE

- NOTES
- ① PLATING(REF.NO.③,④)
 CONTACT AREA : GOLD 0.2μm min
 OTHERS : GOLD AND NICKEL
 UNDER PLATING : NICKEL 2μm min
 - ② THE RECOMMENDED CLAMP TORQUE OF REF.NO.⑧ TO BE 1.5 TO 2N·m.
 THREAD LOCKER TO THE THREADED PORTION OF REF.NO.① IS RECOMMENDED TO PREVENT REF.NO.⑧ FROM LOOSING.
 RECOMMENDED THREAD LOCKER:LOCTITE 271, HENKEL JAPAN LTD.
 - ③ WHEN THIS CONNECTOR IS MOUNTED ON TO PANEL, BE CAREFUL REF.NO.⑥ IS ASSEMBLED SURELY INTO THE GROOVE OF REF.NO.⑥ AS SHOWN IN THIS FIGURE TO KEEP WATERPROOF EFFECTIVENESS.

| NO. | MATERIAL | FINISH . REMARKS | NO. | MATERIAL | FINISH . REMARKS |
|-----|--------------|------------------|-----|-------------------|------------------|
| 4 | COPPER ALLOY | ① | 8 | BRASS | NICKEL PLATING |
| 3 | COPPER ALLOY | ① | 7 | PHOSPHOR BRONZE | NICKEL PLATING |
| 2 | PPS | (BLACK) UL94V-0 | 6 | CHLROPRENE RUBBER | (BLACK) |
| 1 | ZINC ALLOY | NICKEL PLATING | 5 | PHOSPHOR BRONZE | NICKEL PLATING |

| | | | | | | | |
|--------------------------------------|--|------------------------|------------|------------------------------------------|-----------------------|----------------------|------------------|
| UNITS mm | | SCALE 4 : 1 | COUNT 1 | DESCRIPTION OF REVISIONS DIS-C-002180 | DESIGNED HK. NAMAI | CHECKED HY. KISHI | DATE 11.05.13 |
| HRS HIROSE ELECTRIC CO., LTD. | | APPROVED : MR. YOSHIDA | 05.01.05 | DRAWING NO. | EDC3-114246-00 | | |
| | | CHECKED : MO. SATOH | 05.01.05 | PART NO. | LF10WBR-12P | | |
| | | DESIGNED : YH. YAMADA | 05.01.05 | CODE NO. | CL136-1007-3-00 | | |
| | | DRAWN : YH. YAMADA | 05.01.05 | | ②/1 | | |

X-ON Electronics

Largest Supplier of Electrical and Electronic Components

Click to view similar products for [Standard Circular Connector](#) category:

Click to view products by [Hirose](#) manufacturer:

Other Similar products are found below :

[5M2530B10P](#) [600259N006](#) [600273N007](#) [6134-336-13149](#) [6134-337-11149](#) [6134-337-2390](#) [6134-341-17149](#) [6280-4SG-516](#) [6280-7SG-3DC](#)
[6290](#) [6291A](#) [66200A-10](#) [680-SMG](#) [681-PMG](#) [CXS3102A14S2P](#) [CXS3102A181S](#) [7251-6SG-300](#) [7271-6SG-300](#) [7282-3PG-300-CH3](#) [75-](#)
[474014-05S](#) [75-474618-01S](#) [75-474618-04S](#) [799539-000](#) [MI8-SE](#) [805-005-07NF11-19PC](#) [805-005-07NF15-7PA](#) [8280-4PG-516](#) [8280-7PG-](#)
[519](#) [8282-5PG-519](#) [836783-1](#) [MP-4102-25P-C](#) [862256-1](#) [864019-2](#) [866857-1](#) [867865-1](#) [PT01SP-14-18P](#) [PT08P-14-5S](#) [PTSF06SE-14-12S](#)
[120-1833-000](#) [QCM019PC2DC012B](#) [1-2069279-1](#) [121583-0217](#) [121667-0020](#) [129591AU](#) [1000B BULK](#) [RD10A16-19-P6CS051/1](#)
[RD10A20-31-P8CS051/1](#) [RD16A14-12-S6CS051/2](#) [1301240290](#) [1301240347](#) [1301860202](#)