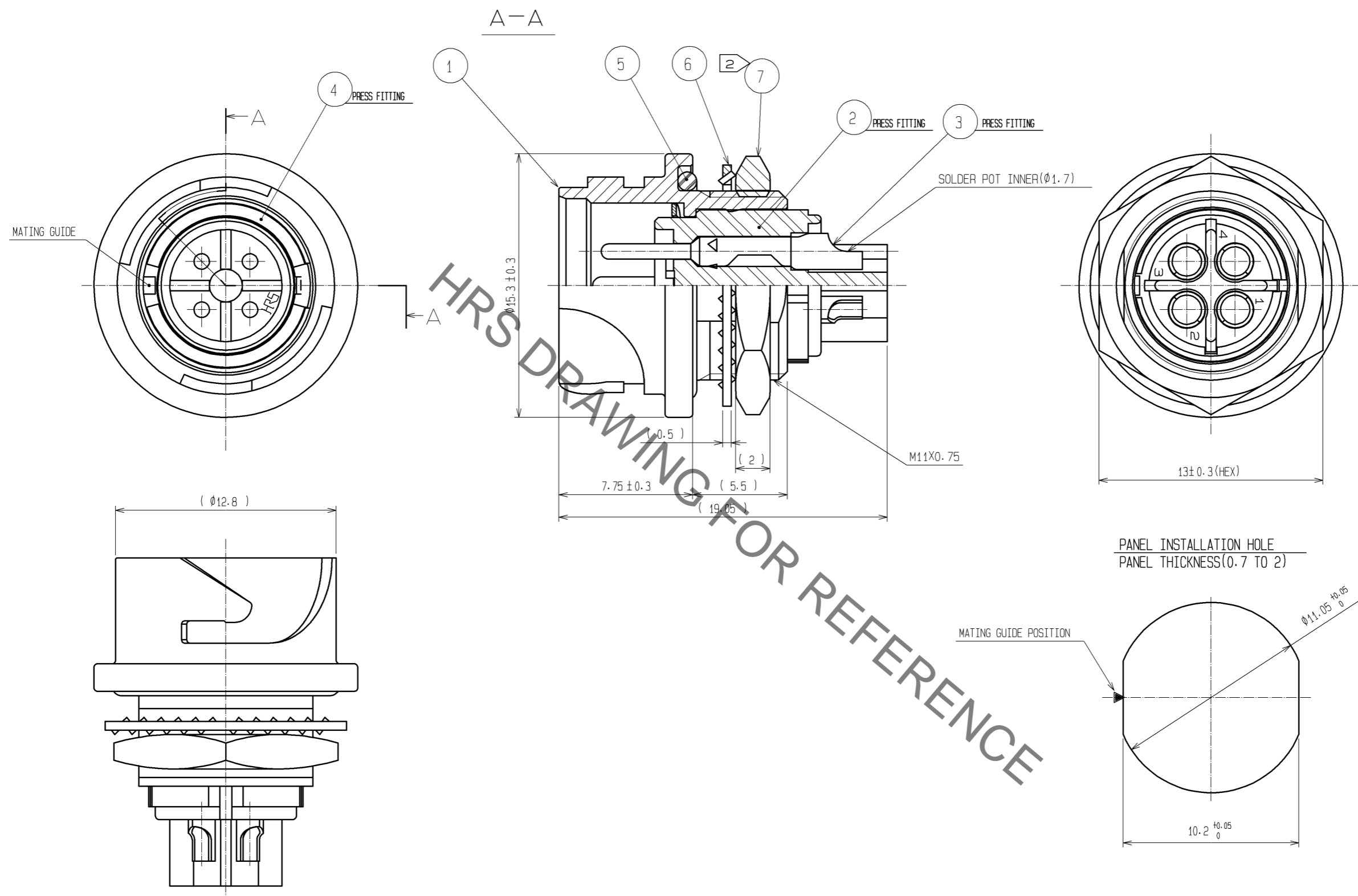


Sep.1.2021 Copyright 2021 HIROSE ELECTRIC CO., LTD. All Rights Reserved.  
In case of consideration for using Automotive equipment / device which demand high reliability, kindly contact our sales window correspondents.



HRS DRAWING FOR REFERENCE

- NOTES
- ① PLATING(REF.NO. ③)  
CONTACT AREA : GOLD 0.2μm min  
OTHERS : GOLD OR NICKEL  
UNDER PLATING : NICKEL 2μm min
  - ② THE RECOMMENDED CLAMP TORQUE OF REF.NO. ⑦ TO BE 1.5 TO 2N·m.  
THREAD LOCKER TO THE THREADED PORTION OF REF.NO. ① IS RECOMMENDED TO PREVENT REF.NO. ⑦ FROM LOOSING.  
RECOMMENDED THREAD LOCKER:LOCTITE 271, HENKEL JAPAN LTD.
  - ③ WHEN THIS CONNECTOR IS MOUNTED ON TO PANEL, BE CAREFUL REF.NO. ⑤ IS ASSEMBLED SURELY INTO THE GROOVE OF REF.NO. ⑤ AS SHOWN IN THIS FIGURE TO KEEP WATERPROOF EFFECTIVENESS.

NO.	MATERIAL	FINISH	REMARKS	NO.	MATERIAL	FINISH	REMARKS
4	PHOSPHOR BRONZE	NICKEL PLATING		7	BRASS	NICKEL PLATING	
3	COPPER ALLOY	①		6	PHOSPHOR BRONZE	NICKEL PLATING	
2	PPS	(BLACK)	UL94V-0	5	SILICONE RUBBER	(BLACK)	①②
1	ZINC ALLOY	BLACK CHROME PLATING					

UNITS	SCALE	COUNT	DESCRIPTION OF REVISIONS	DESIGNED	CHECKED	DATE
mm	4 : 1	1	DIS-C-001551	TY. SUZUKI	HY. KISHI	10.01.07
APPROVED : MO. SATOH			09.01.14	DRAWING NO. EDC3-114244-03		
CHECKED : HY. KOBAYASHI			09.01.14	PART NO. LF10WBR-4P(03)		
DESIGNED : TY. SUZUKI			09.01.13	CODE NO. CL136-1005-8-03		
DRAWN : TY. SUZUKI			09.01.13	②		

## X-ON Electronics

Largest Supplier of Electrical and Electronic Components

*Click to view similar products for [Standard Circular Connector](#) category:*

*Click to view products by [Hirose](#) manufacturer:*

Other Similar products are found below :

[5M2530B10P](#) [600259N006](#) [600273N007](#) [6134-336-13149](#) [6134-337-11149](#) [6134-337-2390](#) [6134-341-17149](#) [6280-4SG-516](#) [6280-7SG-3DC](#)  
[6290](#) [6291A](#) [66200A-10](#) [680-SMG](#) [681-PMG](#) [CXS3102A14S2P](#) [CXS3102A181S](#) [7251-6SG-300](#) [7271-6SG-300](#) [7282-3PG-300-CH3](#) [75-](#)  
[474014-05S](#) [75-474618-01S](#) [75-474618-04S](#) [799539-000](#) [MI8-SE](#) [805-005-07NF11-19PC](#) [805-005-07NF15-7PA](#) [8280-4PG-516](#) [8280-7PG-](#)  
[519](#) [8282-5PG-519](#) [836783-1](#) [MP-4102-25P-C](#) [862256-1](#) [864019-2](#) [866857-1](#) [867865-1](#) [PT01SP-14-18P](#) [PT08P-14-5S](#) [PTSF06SE-14-12S](#)  
[120-1833-000](#) [QCM019PC2DC012B](#) [1-2069279-1](#) [121583-0217](#) [121667-0020](#) [129591AU](#) [1000B BULK](#) [RD10A16-19-P6CS051/1](#)  
[RD10A20-31-P8CS051/1](#) [RD16A14-12-S6CS051/2](#) [1301240290](#) [1301240347](#) [1301860202](#)