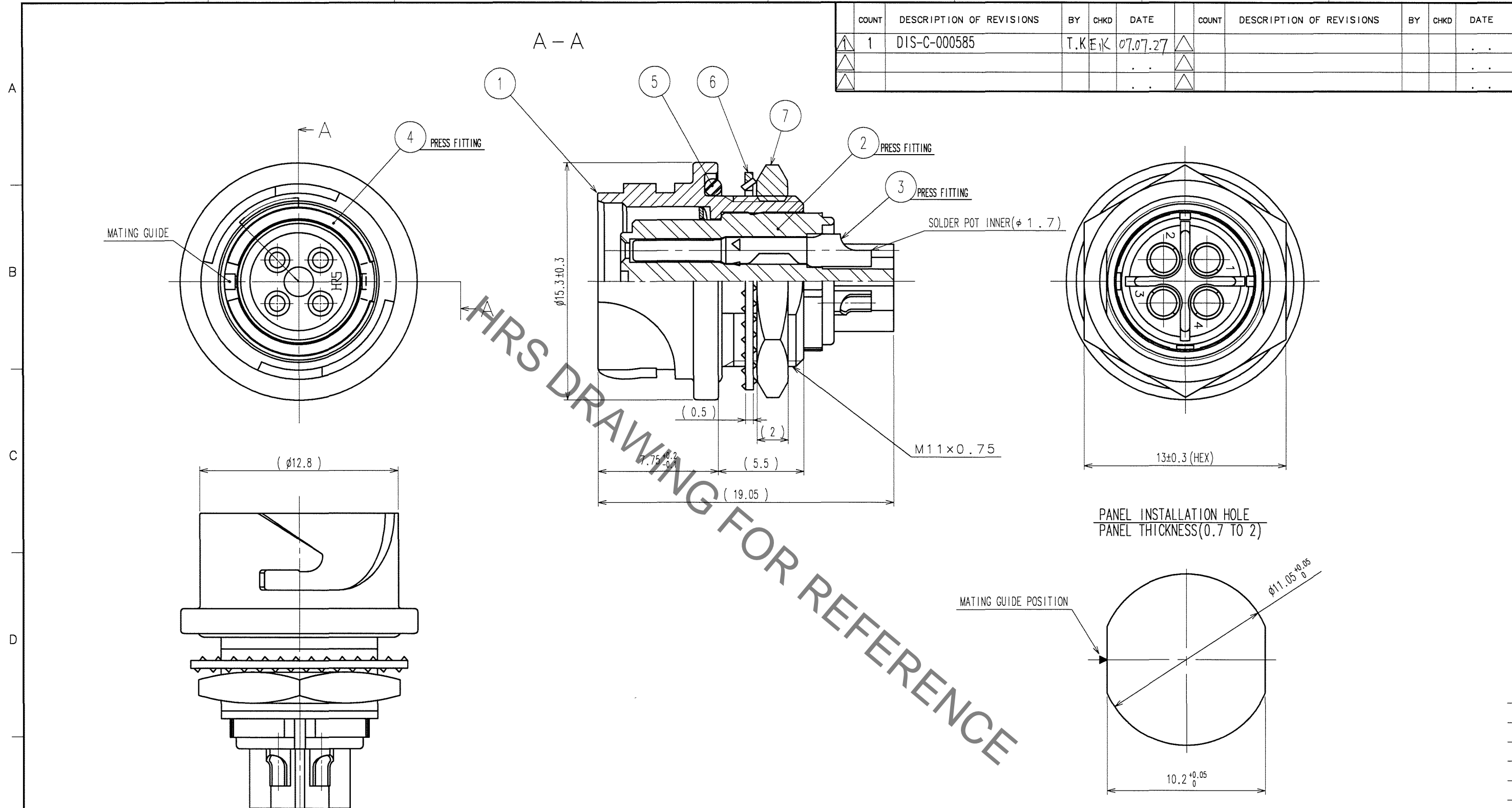


Sep.1.2021 Copyright 2021 HIROSE ELECTRIC CO., LTD. All Rights Reserved.
In case of consideration for using Automotive equipment / device which demand high reliability, kindly contact our sales window correspondents.

COUNT	DESCRIPTION OF REVISIONS	BY	CHKD	DATE	COUNT	DESCRIPTION OF REVISIONS	BY	CHKD	DATE
1	DIS-C-000585	T.K	EIK	07.07.27					



HRS DRAWING FOR REFERENCE

- NOTES
- PLATING(REF.NO. ③)
CONTACT AREA : GOLD 0.2 μ m min
OTHERS : GOLD AND NICKEL
UNDER PLATING : NICKEL 2 μ m min
 - THE RECOMMENDED CLAMP TORQUE OF REF.NO. ⑦ TO BE 1.5 TO 2N·m.
THREAD LOCKER TO THE THREADED PORTION OF REF.NO. ① IS RECOMMENDED TO PREVENT REF.NO. ⑦ FROM LOOSING.
RECOMMENDED THREAD LOCKER: LOCTITE 271, HENKEL JAPAN LTD.
 - WHEN THIS CONNECTOR IS MOUNTED ON TO PANEL, BE CAREFUL REF.NO. ⑤ IS ASSEMBLED SURELY INTO THE GROOVE OF REF.NO. ⑤ AS SHOWN IN THIS FIGURE TO KEEP WATERPROOF EFFECTIVENESS.

TO
R

NO.	MATERIAL	FINISH, REMARKS	NO.	MATERIAL	FINISH, REMARKS
4	PHOSPHOR BRONZE	NICKEL PLATING	7	BRASS	NICKEL PLATING
3	COPPER ALLOY	①	6	PHOSPHOR BRONZE	NICKEL PLATING
2	PPS	(BLACK) UL94V-0	5	CHLOROPRENE RUBBER	(BLACK)
1	ZINC ALLOY	NICKEL PLATING			

CODE NO. (OLD) CL	DRAWN K.ABE '05 4.21	DESIGNED H.ZEMBA '05 5.13	CHECKED M.SATO '05 5.13	APPROVED M.YOSHIDA '05 5.16	RELEASED
SCALE 4 : 1	DRAWING NO. EDC3-114245		PART NO. LF10WBR-4S		
UNITS mm	HRS HIROSE ELECTRIC CO., LTD		CODE NO. CL136-1006-0		1/1

X-ON Electronics

Largest Supplier of Electrical and Electronic Components

Click to view similar products for [Standard Circular Connector](#) category:

Click to view products by [Hirose](#) manufacturer:

Other Similar products are found below :

[5M2530B10P](#) [600259N006](#) [600273N007](#) [6134-336-13149](#) [6134-337-11149](#) [6134-337-2390](#) [6134-341-17149](#) [6280-4SG-516](#) [6280-7SG-3DC](#)
[6290](#) [6291A](#) [66200A-10](#) [680-SMG](#) [681-PMG](#) [CXS3102A14S2P](#) [CXS3102A181S](#) [7251-6SG-300](#) [7271-6SG-300](#) [7282-3PG-300-CH3](#) [75-](#)
[474014-05S](#) [75-474618-01S](#) [75-474618-04S](#) [799539-000](#) [MI8-SE](#) [805-005-07NF11-19PC](#) [805-005-07NF15-7PA](#) [8280-4PG-516](#) [8280-7PG-](#)
[519](#) [8282-5PG-519](#) [836783-1](#) [MP-4102-25P-C](#) [862256-1](#) [864019-2](#) [866857-1](#) [867865-1](#) [PT01SP-14-18P](#) [PT08P-14-5S](#) [PTSF06SE-14-12S](#)
[120-1833-000](#) [QCM019PC2DC012B](#) [1-2069279-1](#) [121583-0217](#) [121667-0020](#) [129591AU](#) [1000B BULK](#) [RD10A16-19-P6CS051/1](#)
[RD10A20-31-P8CS051/1](#) [RD16A14-12-S6CS051/2](#) [1301240290](#) [1301240347](#) [1301860202](#)