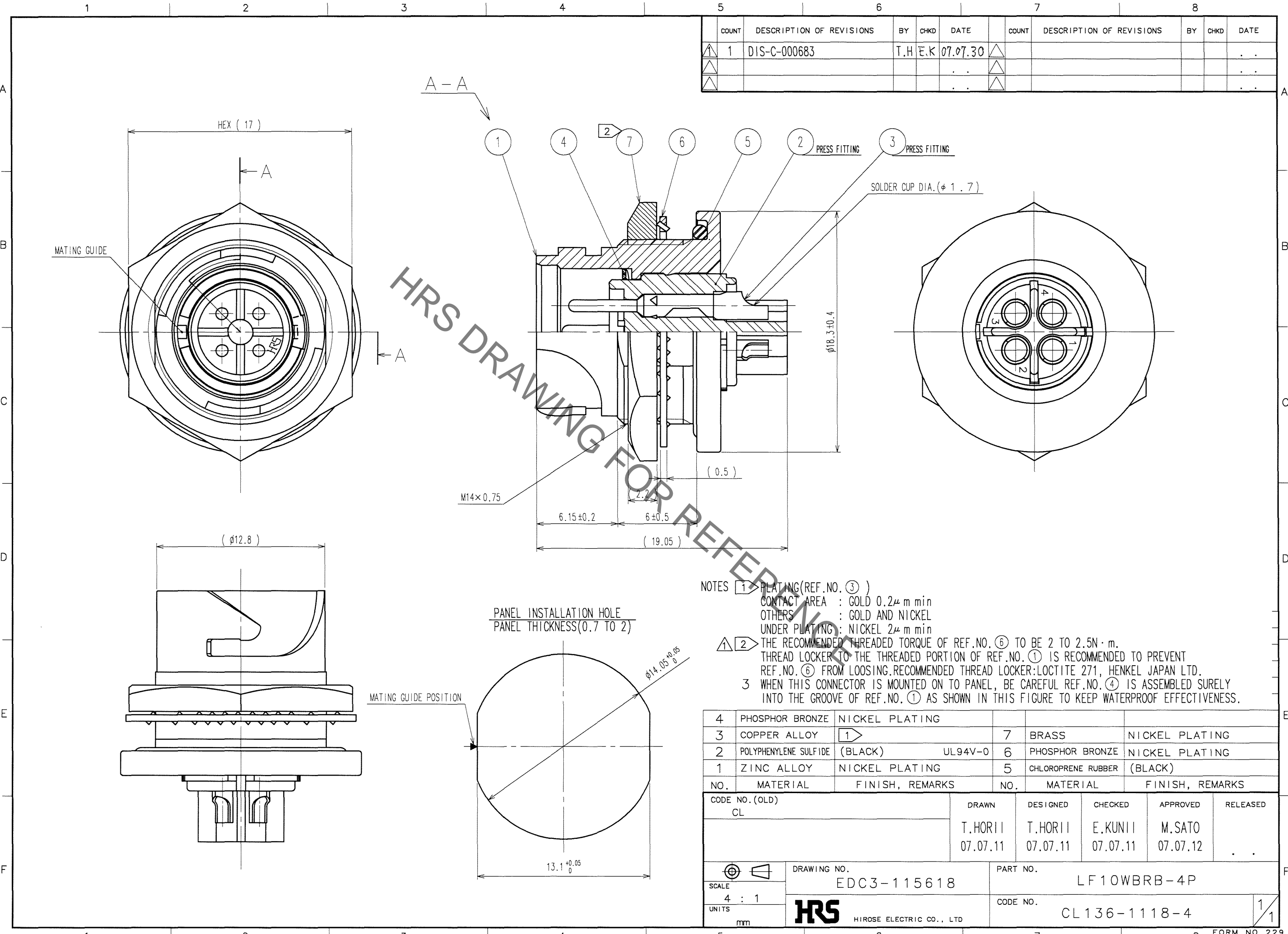


Sep.1.2021 Copyright 2021 HIROSE ELECTRIC CO., LTD. All Rights Reserved.
In case of consideration for using Automotive equipment / device which demand high reliability, kindly contact our sales window correspondents.



COUNT	DESCRIPTION OF REVISIONS	BY	CHKD	DATE	COUNT	DESCRIPTION OF REVISIONS	BY	CHKD	DATE
1	DIS-C-000683	T.H	E.K	07.07.30					

NOTES

① PLATING(REF.NO.③)
 CONTACT AREA : GOLD 0.2μm min
 OTHERS : GOLD AND NICKEL
 UNDER PLATING: NICKEL 2μm min

② THE RECOMMENDED THREADED TORQUE OF REF.NO.⑥ TO BE 2 TO 2.5N·m.
 THREAD LOCKER TO THE THREADED PORTION OF REF.NO.① IS RECOMMENDED TO PREVENT REF.NO.⑥ FROM LOOSING.RECOMMENDED THREAD LOCKER:LOCTITE 271, HENKEL JAPAN LTD.

③ WHEN THIS CONNECTOR IS MOUNTED ON TO PANEL, BE CAREFUL REF.NO.④ IS ASSEMBLED SURELY INTO THE GROOVE OF REF.NO.① AS SHOWN IN THIS FIGURE TO KEEP WATERPROOF EFFECTIVENESS.

NO.	MATERIAL	FINISH, REMARKS	NO.	MATERIAL	FINISH, REMARKS
4	PHOSPHOR BRONZE	NICKEL PLATING	7	BRASS	NICKEL PLATING
3	COPPER ALLOY	①	6	PHOSPHOR BRONZE	NICKEL PLATING
2	POLYPHENYLENE SULFIDE	(BLACK) UL94V-0	5	CHLOROPRENE RUBBER	(BLACK)
1	ZINC ALLOY	NICKEL PLATING			

CODE NO. (OLD) CL	DRAWN T.HORII 07.07.11	DESIGNED T.HORII 07.07.11	CHECKED E.KUNII 07.07.11	APPROVED M.SATO 07.07.12	RELEASED .
----------------------	------------------------------	---------------------------------	--------------------------------	--------------------------------	---------------

SCALE 4 : 1	DRAWING NO. EDC3-115618	PART NO. LF10WBRB-4P
UNITS mm	HRS HIROSE ELECTRIC CO., LTD	CODE NO. CL136-1118-4

TO
R

1/1

X-ON Electronics

Largest Supplier of Electrical and Electronic Components

Click to view similar products for [Standard Circular Connector](#) category:

Click to view products by [Hirose](#) manufacturer:

Other Similar products are found below :

[5M2530B10P](#) [600259N006](#) [600273N007](#) [6134-336-13149](#) [6134-337-11149](#) [6134-337-2390](#) [6134-341-17149](#) [6280-4SG-516](#) [6280-7SG-3DC](#)
[6290](#) [6291A](#) [66200A-10](#) [680-SMG](#) [681-PMG](#) [CXS3102A14S2P](#) [CXS3102A181S](#) [7251-6SG-300](#) [7271-6SG-300](#) [7282-3PG-300-CH3](#) [75-](#)
[474014-05S](#) [75-474618-01S](#) [75-474618-04S](#) [799539-000](#) [MI8-SE](#) [805-005-07NF11-19PC](#) [805-005-07NF15-7PA](#) [8280-4PG-516](#) [8280-7PG-](#)
[519](#) [8282-5PG-519](#) [836783-1](#) [MP-4102-25P-C](#) [862256-1](#) [864019-2](#) [866857-1](#) [867865-1](#) [PT01SP-14-18P](#) [PT08P-14-5S](#) [PTSF06SE-14-12S](#)
[120-1833-000](#) [QCM019PC2DC012B](#) [1-2069279-1](#) [121583-0217](#) [121667-0020](#) [129591AU](#) [1000B BULK](#) [RD10A16-19-P6CS051/1](#)
[RD10A20-31-P8CS051/1](#) [RD16A14-12-S6CS051/2](#) [1301240290](#) [1301240347](#) [1301860202](#)