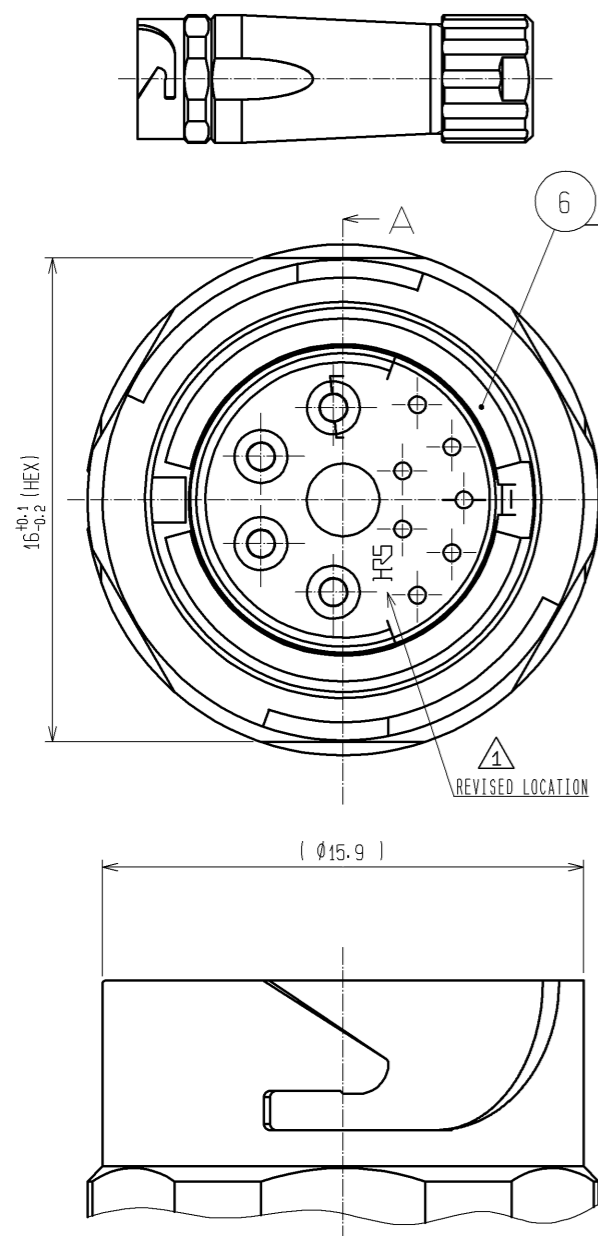


Sep.1.2021 Copyright 2021 HIROSE ELECTRIC CO., LTD. All Rights Reserved.  
In case of consideration for using Automotive equipment / device which demand high reliability, kindly contact our sales window correspondents.

Fig.2(1:1)



A-A

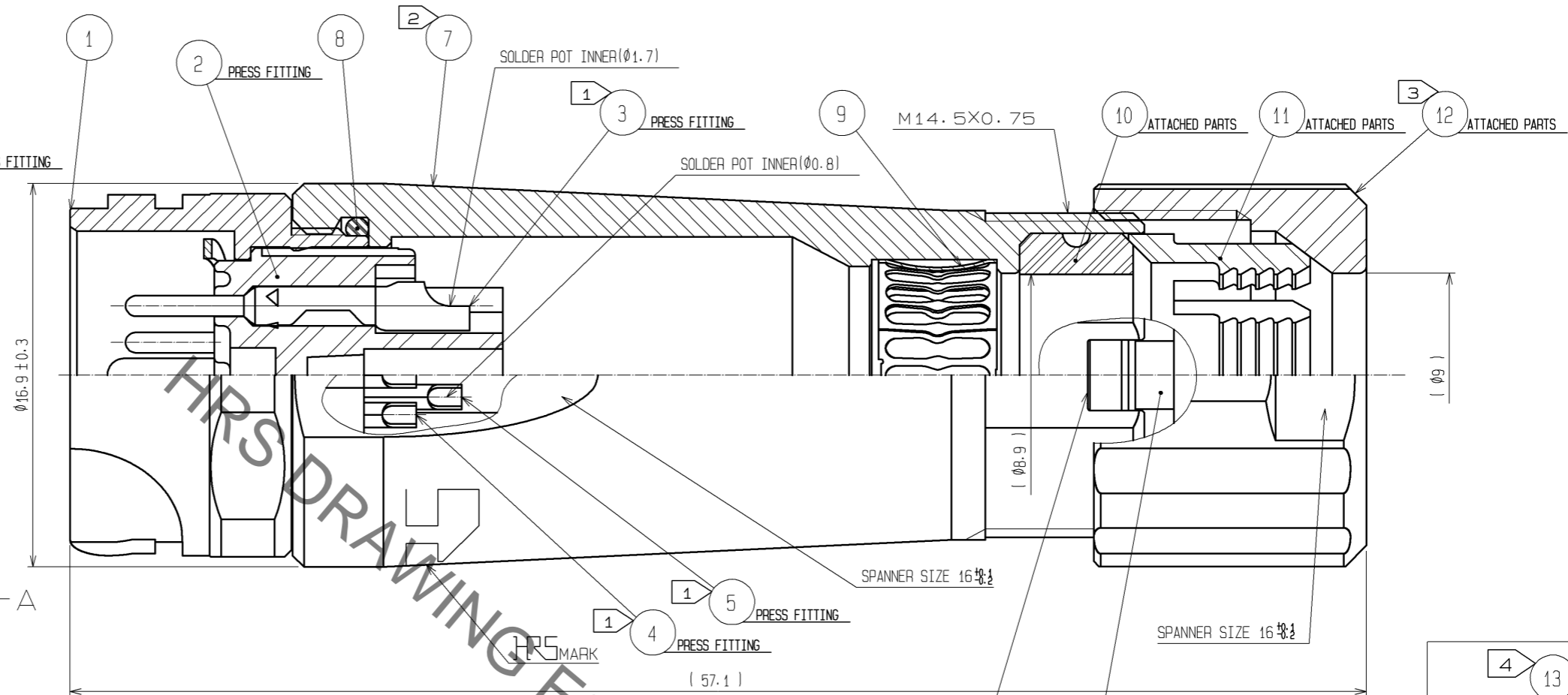
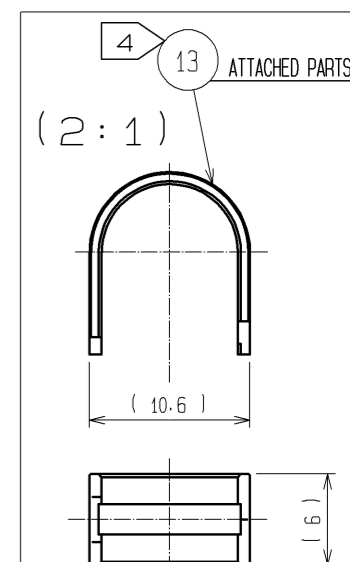
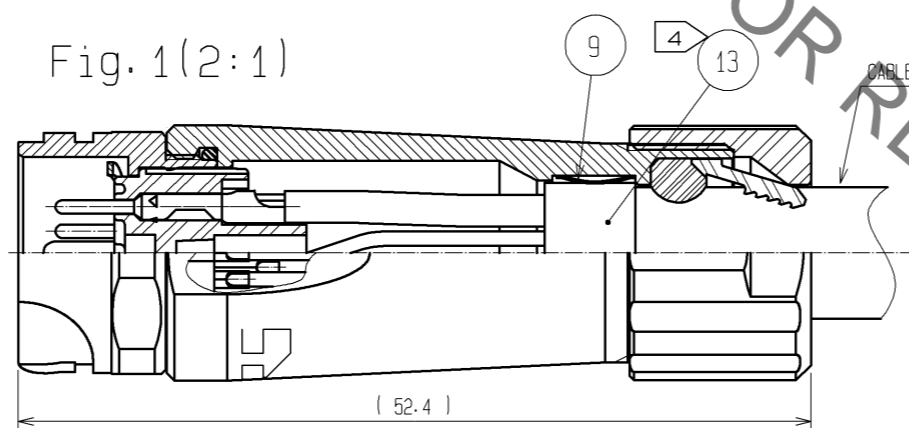


Fig.1(2:1)



- NOTES
- 1 PLATING (REF. NO. 0, 0, 0)  
CONTACT AREA : GOLD 0.2μm min  
OTHERS : GOLD AND NICKEL  
UNDER PLATING : NICKEL 2μm min
  - 2 THE RECOMMENDED CLAMP TORQUE OF REF. NO. 0 TO BE 1.5 TO 2N·m.  
THREAD LOCKER TO THE THREADED PORTION OF REF. NO. 0 IS RECOMMENDED TO PREVENT REF. NO. 0 FROM LOSING.  
RECOMMENDED THREAD LOCKER: LOCTITE 271, HENKEL JAPAN LTD.
  - 3 THE RECOMMENDED CLAMP TORQUE OF REF. NO. 0 TO BE 1 TO 1.5N·m.  
THREAD LOCKER AND LOCK PRIMER TO THE THREADED PORTION M14.5X0.75 OF REF. NO. 0 IS RECOMMENDED TO PREVENT REF. NO. 0 FROM LOSING.  
RECOMMENDED THREAD LOCKER AND LOCK PRIMER : LOCTITE 271, LOCK PRIMER 7649, HENKEL JAPAN LTD.
  - 4 FASTEN REF. NO. 0 TO THE CABLE WITH THE CABLE CRIMPING TOOL.  
AND MAKE REF. NO. 0 CONTACT WITH REF. NO. 0 (REFER TO Fig. 1).  
REFER TO THE TECHNICAL SPECIFICATION ATAD-C0099 FOR DETAILS.  
APPLICABLE CABLE CRIMPING TOOL : LF-TC-01 (CL150-0234-6)
  - 5 APPLICABLE CABLE ASSEMBLY FIXTURE : LF13BJ-T01 (CL150-0238-7)  
CABLE ASSEMBLY FIXTURE IS USED AS A RECEPTACLE STAND OF EXTRACT AND THE PART NUMBER 0 OF AN ASSEMBLY.
  - 6 Fig. 2 SHOWS THE APPEARANCE AFTER ASSEMBLY.
  - 7 ROTATION EXAMPLES OF REF. NOS. 0 AND 0 TO 0 ARE SHOWN.

NO.	MATERIAL	FINISH	REMARKS	NO.	MATERIAL	FINISH	REMARKS
7	ZINC ALLOY	NICKEL PLATING					
6	PHOSPHOR BRONZE	NICKEL PLATING		13	BRASS	NICKEL PLATING	
5	COPPER ALLOY	1		12	PPS	(NATURAL·BROWN)	UL94V-0
4	COPPER ALLOY	1		11	POLYAMIDE	(NATURAL·MILKY WHITE)	UL94V-0
3	COPPER ALLOY	1		10	CHLOROPRENE RUBBER	(BLACK)	
2	PPS	(BLACK)	UL94V-0	9	PHOSPHOR BRONZE	NICKEL PLATING	
1	ZINC ALLOY	NICKEL PLATING		8	CHLOROPRENE RUBBER	(BLACK)	

UNITS	SCALE	COUNT	DESCRIPTION OF REVISIONS	DESIGNED	CHECKED	DATE
mm	4 : 1	1	DIS-C-000768	DS. MATSUNE	YH. YAMADA	08.01.08

APPROVED	CHECKED	DESIGNED	DRAWN	DRAWING NO.	PART NO.	CODE NO.
MR. YOSHIDA	MO. SATOH	YH. YAMADA	YH. YAMADA	EDC3-114404-00	LF13WBJ-11P	CL136-2011-6-00

## X-ON Electronics

Largest Supplier of Electrical and Electronic Components

*Click to view similar products for [Standard Circular Connector](#) category:*

*Click to view products by [Hirose](#) manufacturer:*

Other Similar products are found below :

[5M2530B10P](#) [600259N006](#) [600273N007](#) [6134-336-13149](#) [6134-337-11149](#) [6134-337-2390](#) [6134-341-17149](#) [6280-4SG-516](#) [6280-7SG-3DC](#)  
[6290](#) [6291A](#) [66200A-10](#) [680-SMG](#) [681-PMG](#) [CXS3102A14S2P](#) [CXS3102A181S](#) [7251-6SG-300](#) [7271-6SG-300](#) [7282-3PG-300-CH3](#) [75-](#)  
[474014-05S](#) [75-474618-01S](#) [75-474618-04P](#) [75-474618-04S](#) [799539-000](#) [MI8-SE](#) [805-005-07NF11-19PC](#) [805-005-07NF15-7PA](#) [8280-4PG-](#)  
[516](#) [8280-7PG-519](#) [8282-5PG-519](#) [836783-1](#) [MP-4102-25P-C](#) [862256-1](#) [864019-2](#) [866857-1](#) [867865-1](#) [PT01SP-14-18P](#) [PT08P-14-5S](#)  
[PTSF06SE-14-12S](#) [120-1833-000](#) [QCM019PC2DC012B](#) [1-2069279-1](#) [121583-0217](#) [121667-0020](#) [129591AU](#) [1000B BULK](#) [RD10A16-19-](#)  
[P6CS051/1](#) [RD10A20-31-P8CS051/1](#) [RD16A14-12-S6CS051/2](#) [1301240290](#) [1301240347](#)