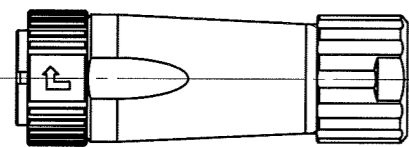


Sep.1.2021 Copyright 2021 HIROSE ELECTRIC CO., LTD. All Rights Reserved.
In case of consideration for using Automotive equipment / device which demand high reliability, kindly contact our sales window correspondents.

Fig.2(1:1)



A-A

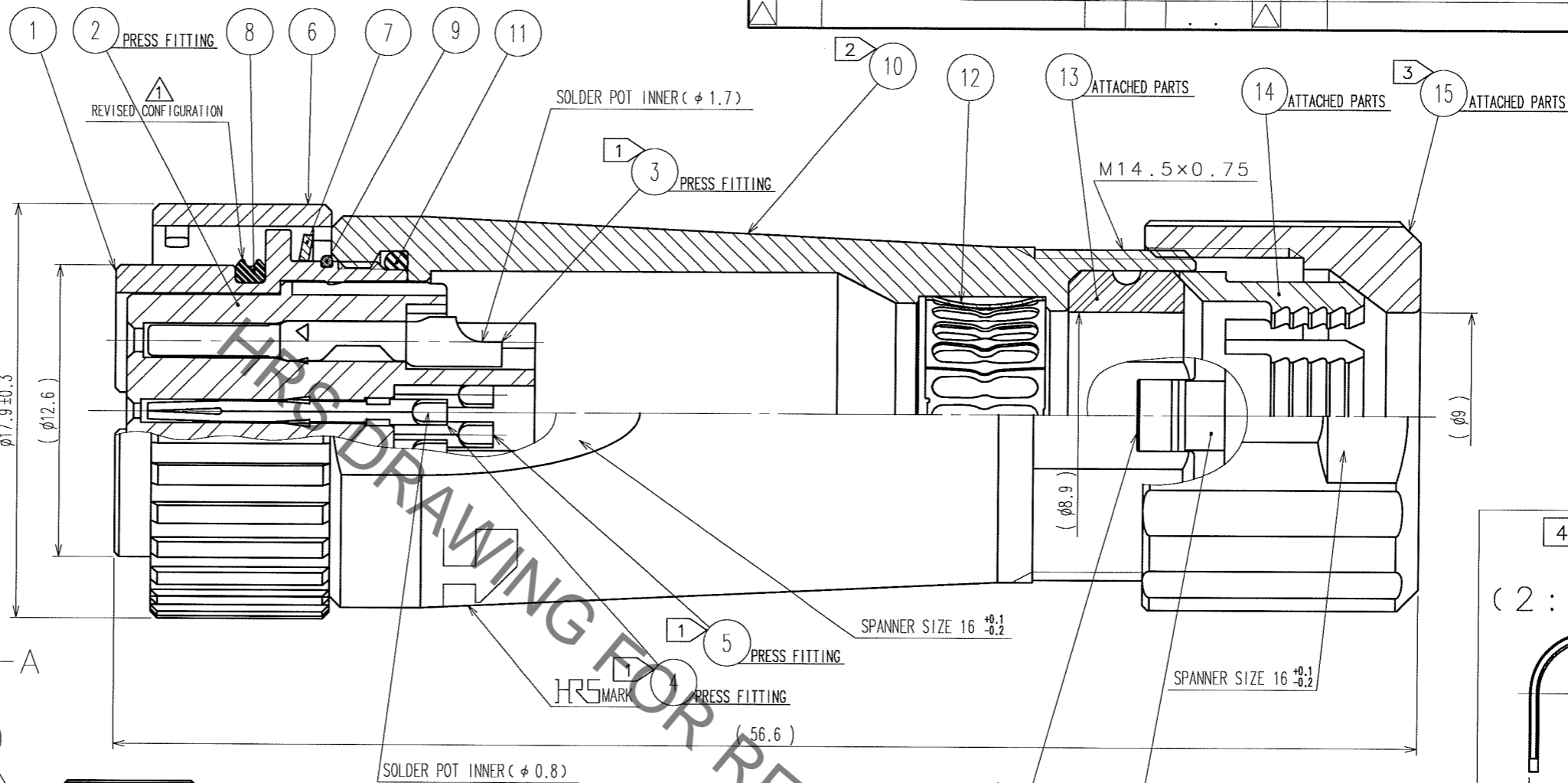
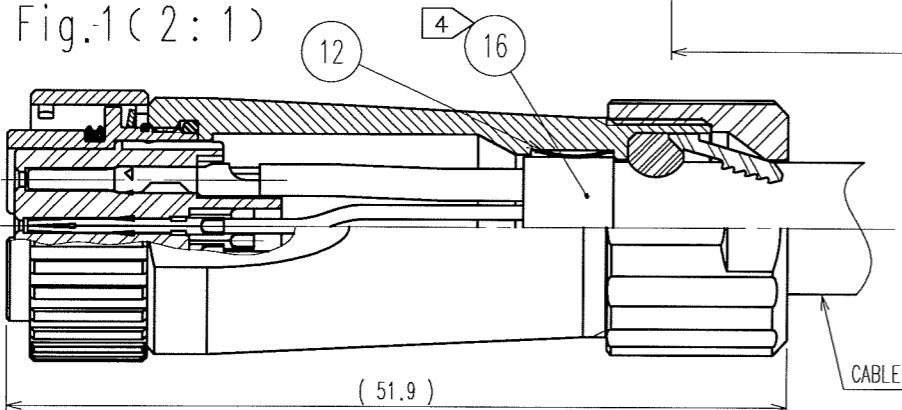


Fig.1(2:1)



- NOTES
- 1 PLATING(REF.NO.③,④,⑤)
CONTACT AREA : GOLD 0.2μm min
OTHERS : GOLD AND NICKEL
UNDER PLATING : NICKEL 2μm min
 - 2 THE RECOMMENDED CLAMP TORQUE OF REF.NO.⑩ TO BE 1.5 TO 2N·m.
THREAD LOCKER TO THE THREADED PORTION OF REF.NO.① IS RECOMMENDED TO PREVENT REF.NO.⑩ FROM LOOSING.
RECOMMENDED THREAD LOCKER:LOCTITE 271, HENKEL JAPAN LTD.
 - 3 THE RECOMMENDED CLAMP TORQUE OF REF.NO.⑮ TO BE 1 TO 1.5N·m.
THREAD LOCKER AND LOCK PRIMER TO THE THREADED PORTION M14.5×0.75 OF REF.NO.⑨ IS RECOMMENDED TO PREVENT REF.NO.⑮ FROM LOOSING.
RECOMMENDED THREAD LOCKER AND LOCK PRIMER : LOCTITE 271, LOCK PRIMER 7649, HENKEL JAPAN LTD.
 - 4 FASTEN REF.NO.⑯ TO THE CABLE WITH THE CABLE CRIMPING TOOL.
AND MAKE REF.NO.⑯ CONTACT WITH REF.NO.⑫(REFER TO Fig.1).
REFER TO THE TECHNICAL SPECIFICATION ATAD-C0099 FOR DETAILS.
APPLICABLE CABLE CRIMPING TOOL : LF-TC-01 (CL150-0234-6)
 - 5 APPLICABLE CABLE ASSEMBLY FIXTURE : LF13BP-T01 (CL150-0237-4)
CABLE ASSEMBLY FIXTURE IS USED AS A RECEPTACLE STAND OF EXTRACT AND THE PART NUMBER ① OF AN ASSEMBLY.
 - 6 Fig.2 SHOWS THE APPEARANCE AFTER ASSEMBLY.
 - 7 ROTATION EXAMPLES OF REF.NOS.⑥,⑩ AND ⑮ TO ① ARE SHOWN.

COUNT	DESCRIPTION OF REVISIONS	BY	CHKD	DATE	COUNT	DESCRIPTION OF REVISIONS	BY	CHKD	DATE
1	DIS-C-000039	H.Z	M.S	05.08.10					
1	DIS-C-000083	H.Z	K.E	06.06.16					

8	CHLOROPRENE RUBBER	(BLACK)	16	BRASS	NICKEL PLATING
7	STAINLESS STEEL		15	PPS	(NATURAL,BROWN) UL94V-0
6	ZINC ALLOY	NICKEL PLATING	14	POLYAMIDE	(NATURAL,MILKY WHITE) UL94V-0
5	PHOSPHOR BRONZE	1	13	CHLOROPRENE RUBBER	(BLACK)
4	PHOSPHOR BRONZE	1	12	PHOSPHOR BRONZE	NICKEL PLATING
3	COPPER ALLOY	1	11	CHLOROPRENE RUBBER	(BLACK)
2	PPS	(BLACK) UL94V-0	10	ZINC ALLOY	NICKEL PLATING
1	ZINC ALLOY	NICKEL PLATING	9	STAINLESS STEEL	
NO.	MATERIAL	FINISH, REMARKS	NO.	MATERIAL	FINISH, REMARKS

CODE NO.(OLD) CL	DRAWN K, ABE	DESIGNED H, ZEMBA	CHECKED M, SATO	APPROVED M, YOSHIDA	RELEASED
	'05.05.12	'05.05.13	'05.05.13	'05.05.16	

DRAWING NO. EDC3-114382	PART NO. LF13WBP-11S
SCALE 4 : 1	CODE NO. CL136-0011-5
UNITS mm	1/1

HRS HIROSE ELECTRIC CO., LTD

X-ON Electronics

Largest Supplier of Electrical and Electronic Components

Click to view similar products for [Standard Circular Connector](#) category:

Click to view products by [Hirose](#) manufacturer:

Other Similar products are found below :

[5M2530B10P](#) [600259N006](#) [600273N007](#) [6134-336-13149](#) [6134-337-11149](#) [6134-337-2390](#) [6134-341-17149](#) [6280-4SG-516](#) [6280-7SG-3DC](#)
[6290](#) [6291A](#) [66200A-10](#) [680-SMG](#) [681-PMG](#) [CXS3102A14S2P](#) [CXS3102A181S](#) [7251-6SG-300](#) [7271-6SG-300](#) [7282-3PG-300-CH3](#) [75-](#)
[474014-05S](#) [75-474618-01S](#) [75-474618-04S](#) [799539-000](#) [MI8-SE](#) [805-005-07NF11-19PC](#) [805-005-07NF15-7PA](#) [8280-4PG-516](#) [8280-7PG-](#)
[519](#) [8282-5PG-519](#) [836783-1](#) [MP-4102-25P-C](#) [862256-1](#) [864019-2](#) [866857-1](#) [867865-1](#) [PT01SP-14-18P](#) [PT08P-14-5S](#) [PTSF06SE-14-12S](#)
[120-1833-000](#) [QCM019PC2DC012B](#) [1-2069279-1](#) [121583-0217](#) [121667-0020](#) [129591AU](#) [1000B BULK](#) [RD10A16-19-P6CS051/1](#)
[RD10A20-31-P8CS051/1](#) [RD16A14-12-S6CS051/2](#) [1301240290](#) [1301240347](#) [1301860202](#)