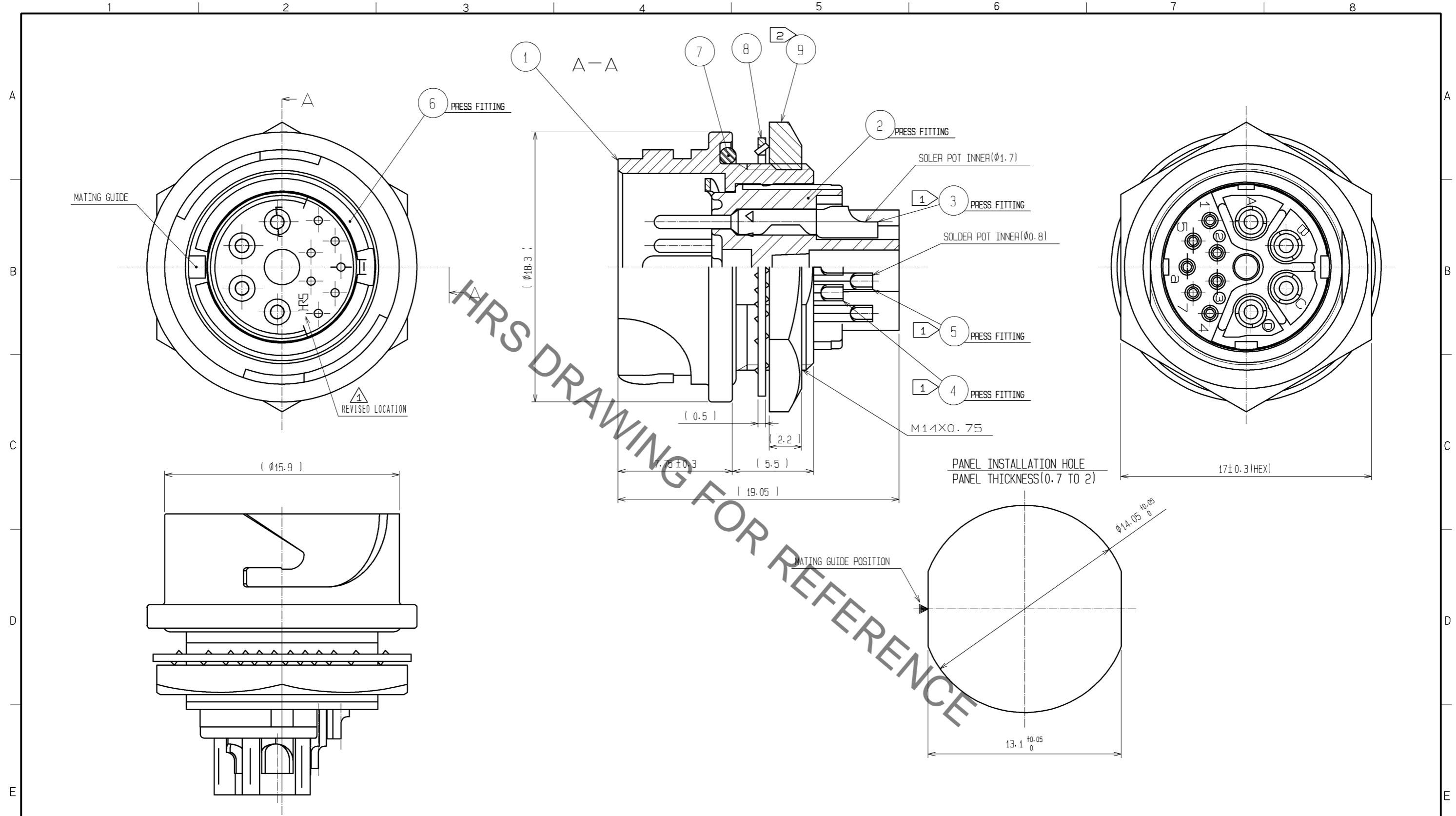


Sep.1.2021 Copyright 2021 HIROSE ELECTRIC CO., LTD. All Rights Reserved.
In case of consideration for using Automotive equipment / device which demand high reliability, kindly contact our sales window correspondents.



HRS DRAWING FOR REFERENCE

- NOTES
- ① PLATING (REF. NO. ①, ②, ③)
 - CONTACT AREA : GOLD 0.2 μ m min.
 - OTHERS : GOLD AND NICKEL
 - UNDER PLATING : NICKEL 2 μ m min.
 - ② THE RECOMMENDED CLAMP TORQUE OF REF. NO. ① TO BE 2 TO 2.5N·m.
THREAD LOCKER TO THE THREADED PORTION OF REF. NO. ① IS RECOMMENDED TO PREVENT REF. NO. ① FROM LOOSING.
RECOMMENDED THREAD LOCKER: LOCTITE 271, HENKEL JAPAN LTD.
 - ③ WHEN THIS CONNECTOR IS MOUNTED ON TO PANEL, BE CAREFUL REF. NO. ① IS ASSEMBLED SURELY INTO THE GROOVE OF REF. NO. ① AS SHOWN IN THIS FIGURE TO KEEP WATERPROOF EFFECTIVENESS.

5	COPPER ALLOY	①					
4	COPPER ALLOY	①			9	BRASS NICKEL PLATING	
3	COPPER ALLOY	①			8	PHOSPHOR BRONZE NICKEL PLATING	
2	PPS	(BLACK)	UL94V-0		7	CHLOROPRENE RUBBER (BLACK)	
1	ZINC ALLOY	NICKEL PLATING			6	PHOSPHOR BRONZE NICKEL PLATING	
部番	材質	処理	備考	部番	材質	処理	
UNITS mm		SCALE 4 : 1	Δ の数 1	訂正記事 DIS-C-000768	設計 DS. MATSUNE	検図 YH. YAMADA	年月日 08.01.08
HRS HIROSE ELECTRIC CO., LTD.		承認 : MR. YOSHIDA	05.01.05	図番 : EDC3-114400-00			
		検図 : MO. SATOH	05.01.05	製品名 : LF13WBR-11P			
		設計 : YH. YAMADA	05.01.05	製品コード : CL136-1011-0-00			
		製図 : YH. YAMADA	05.01.05				

X-ON Electronics

Largest Supplier of Electrical and Electronic Components

Click to view similar products for [Standard Circular Connector](#) category:

Click to view products by [Hirose](#) manufacturer:

Other Similar products are found below :

[5M2530B10P](#) [600259N006](#) [600273N007](#) [6134-336-13149](#) [6134-337-11149](#) [6134-337-2390](#) [6134-341-17149](#) [6280-4SG-516](#) [6280-7SG-3DC](#)
[6290](#) [6291A](#) [66200A-10](#) [680-SMG](#) [681-PMG](#) [CXS3102A14S2P](#) [CXS3102A181S](#) [7251-6SG-300](#) [7271-6SG-300](#) [7282-3PG-300-CH3](#) [75-](#)
[474014-05S](#) [75-474618-01S](#) [75-474618-04S](#) [799539-000](#) [MI8-SE](#) [805-005-07NF11-19PC](#) [805-005-07NF15-7PA](#) [8280-4PG-516](#) [8280-7PG-](#)
[519](#) [8282-5PG-519](#) [836783-1](#) [MP-4102-25P-C](#) [862256-1](#) [864019-2](#) [866857-1](#) [867865-1](#) [PT01SP-14-18P](#) [PT08P-14-5S](#) [PTSF06SE-14-12S](#)
[120-1833-000](#) [QCM019PC2DC012B](#) [1-2069279-1](#) [121583-0217](#) [121667-0020](#) [129591AU](#) [1000B BULK](#) [RD10A16-19-P6CS051/1](#)
[RD10A20-31-P8CS051/1](#) [RD16A14-12-S6CS051/2](#) [1301240290](#) [1301240347](#) [1301860202](#)